

Part number

# MBV 06 L225



Hood, BIG series, with 2 pegs, M25 x 2 double top cable entry, size "44.27"

#### Product description

<b>Product type</b>	Hood
<b>Series</b>	BIG
<b>Closing type</b>	With 2 pegs
<b>Size</b>	Size 44.27
<b>Cable entry</b>	Double top cable entry M25 x 2

#### Technical data

<b>IP degree of protection</b>	IP66
--------------------------------	------

#### Further technical details

<b>Contact resistance</b>	≤ 3 mΩ
<b>Weight</b>	400,00 g
<b>Operating temperature range (min, max)</b>	-40°C...+125°C
<b>Conductors stripping length</b>	6 - 8 mm
<b>Torque for main contact</b>	M2,5: 0.4 Nm; 3.5 lb.in (0,5 x 3mm )
<b>Tightening torque for PE connection</b>	M4: 1,2 Nm, 10,6 lb.in (Ph2 or 1,0x5,5mm )
<b>Tightening torque for fixing screws</b>	M3: 0.5 Nm; 4.4 lb.in (Ph1 or 0.8x4 mm)

#### Material properties

<b>Other materials</b>	Gasket: NBR
<b>Colour</b>	RAL 7040 grey
<b>RoHs conformity</b>	Compliant
<b>China RoHs - EFUP</b>	E
<b>REACH SVHC substances</b>	No

#### Approvals / Standards

<b>Certifications</b>	DNV, BV
<b>UL</b>	ECBT2
<b>cUL</b>	ECBT8

#### General ordering information

<b>EAN13 code</b>	8015747186902
<b>eCl@ss 8.1</b>	27440202
<b>ETIM 7.0</b>	EC000437

#### Packaging Information

<b>Packaging length</b>	180,00 mm
<b>Packaging height</b>	120,00 mm
<b>Packaging width</b>	155,00 mm
<b>Packaging weight</b>	1,62 kg
<b>Packaging volume</b>	3,35 dm <sup>3</sup>
<b>Packaging description</b>	Carton box
<b>Packaging quantity</b>	4 Pcs
<b>Packaging EAN code</b>	8015747220781
<b>Sub-packaging weight</b>	0,41 kg
<b>Sub-packaging description</b>	Plastic packaging
<b>Sub-packaging quantity</b>	1 Pcs
<b>Sub-packaging EAN barcode</b>	8015747035743

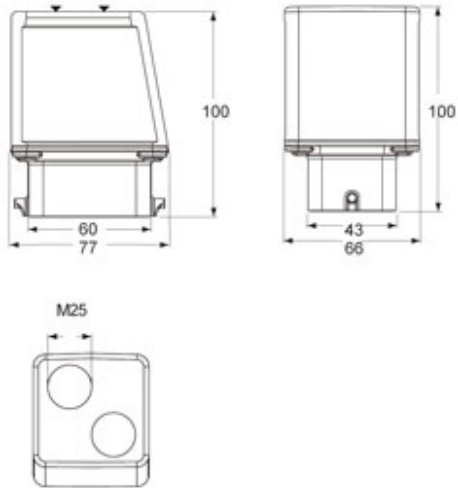
Part number

# MBV 06 L225



## Catalogue drawings

MBV 06 L225



---

## Notes

Dimensions shown in mm are not binding and may be changed without notice.

---