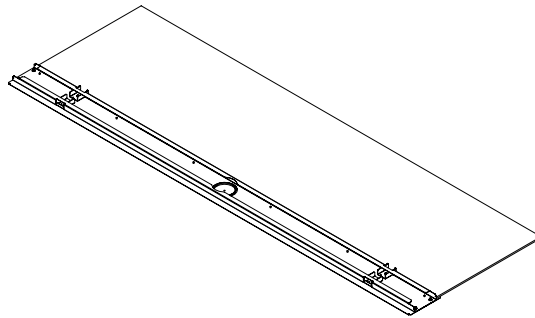

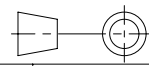


THIS COPY IS PROVIDED ON A RESTRICTED BASIS AND IS NOT TO BE USED IN ANY WAY DETRIMENTAL TO THE INTERESTS OF PANDUIT CORP.

PANDUIT P/N	DESCRIPTION	COLOR	WEIGHT
CURFS06F04HBB1	NET-CONTAIN UAC 600mm ROOFING SECTION - 4FT(1200mm) AISLE WIDTH	BLACK	2.31 Kg/EACH [5.1 LBS/EACH]
CURFS06F04HBW1	NET-CONTAIN UAC 600mm ROOFING SECTION - 4FT(1200mm) AISLE WIDTH	WHITE	2.31 Kg/EACH [5.1 LBS/EACH]
CURFS07F04HBB1	NET-CONTAIN UAC 700mm ROOFING SECTION - 4FT(1200mm) AISLE WIDTH	BLACK	2.47 Kg/EACH [5.5 LBS/EACH]
CURFS07F04HBW1	NET-CONTAIN UAC 700mm ROOFING SECTION - 4FT(1200mm) AISLE WIDTH	WHITE	2.47 Kg/EACH [5.5 LBS/EACH]
CURFS08F04HBB1	NET-CONTAIN UAC 800mm ROOFING SECTION - 4FT(1200mm) AISLE WIDTH	BLACK	2.64 Kg/EACH [5.8 LBS/EACH]
CURFS08F04HBW1	NET-CONTAIN UAC 800mm ROOFING SECTION - 4FT(1200mm) AISLE WIDTH	WHITE	2.64 Kg/EACH [5.8 LBS/EACH]
CURFS06F06HBB1	NET-CONTAIN UAC 600mm ROOFING SECTION - 6FT(1800mm) AISLE WIDTH	BLACK	3.39 Kg/EACH [7.4 LBS/EACH]
CURFS06F06HBW1	NET-CONTAIN UAC 600mm ROOFING SECTION - 6FT(1800mm) AISLE WIDTH	WHITE	3.39 Kg/EACH [7.4 LBS/EACH]
CURFS07F06HBB1	NET-CONTAIN UAC 700mm ROOFING SECTION - 6FT(1800mm) AISLE WIDTH	BLACK	3.63 Kg/EACH [8.0 LBS/EACH]
CURFS07F06HBW1	NET-CONTAIN UAC 700mm ROOFING SECTION - 6FT(1800mm) AISLE WIDTH	WHITE	3.63 Kg/EACH [8.0 LBS/EACH]
CURFS08F06HBB1	NET-CONTAIN UAC 800mm ROOFING SECTION - 6FT(1800mm) AISLE WIDTH	BLACK	3.87 Kg/EACH [8.5 LBS/EACH]
CURFS08F06HBW1	NET-CONTAIN UAC 800mm ROOFING SECTION - 6FT(1800mm) AISLE WIDTH	WHITE	3.87 Kg/EACH [8.5 LBS/EACH]



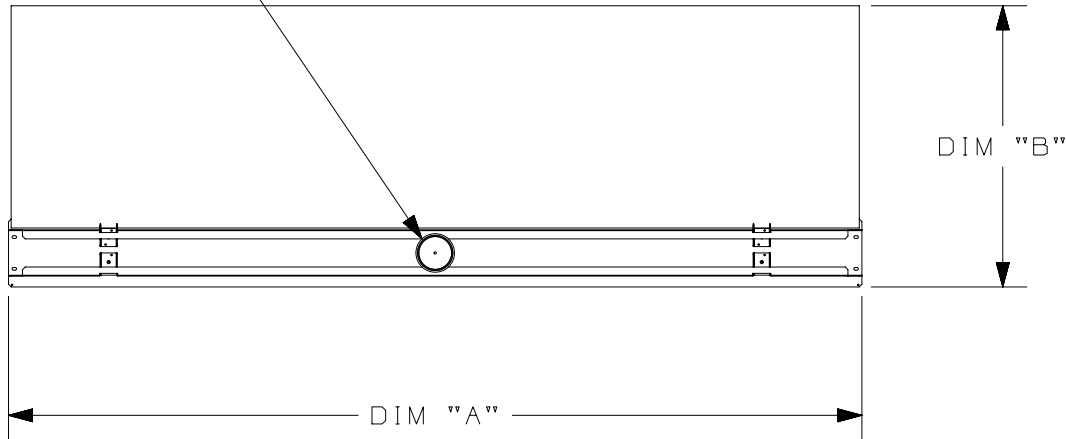
- VISIT OUR ON-LINE CATALOG AT WWW.PANDUIT.COM FOR A LIST OF CURRENT PARTS APPLICABLE FOR USE WITH THIS PRODUCT.
- PARTS SUPPLIED:
1- AISLE BEAM
1- ROOF PANEL
1- HARDWARE KIT
1- INSTRUCTION SHEET
- PRIMARY DIMENSIONS ARE IN MILLIMETERS.

					TITLE (CURFS**F**HB**) NET-CONTAIN UAC ROOFING SECTION						
					CUSTOMER DRAWING						
					ITEM REVISION NAME 12V359ST/00						
					DATASET FILE NAME 12V359ST_DC/00C						
00C	11/3/17	LEE	PATR	SJP	A. REMOVED PART NUMBERS FOR 900 WIDE BLACK & WHITE FROM TABLES (SHT 1 & 2): CURFS06F03HB**, CURFS07F03HB**, CURFS08F03HB**, V09001MH	 MATERIAL: N/A DRAWING NUMBER: 12V359ST-DC					
00B	7/25/16	MES	PATR	SGI	ADDED NOTE ON SHEET 2 CALLING OUT THE 76mm DIAMETER OPENING V09000XU						
00A	5-30-14	PBS	PATR	SGI	RELEASED TO PRODUCTION 12V359ST-DC						
REV	DATE	BY	CHK	APR	DESCRIPTION	ECN					
					 THIRD ANGLE PROJECTION	DRAWN BY PBS	DATE 5-30-14	CHK PATR	SCALE NONE	SHT 1 OF 2	SIZE A

D10100DA/16

THIS COPY IS PROVIDED ON A RESTRICTED BASIS AND IS NOT TO BE USED IN ANY WAY DETRIMENTAL TO THE INTERESTS OF PANDUIT CORP.

76mm (3") DIA OPENING (WITH REMOVABLE PLASTIC CAP)
FOR USE WITH FIRE SUPPRESSION SPRINKLER HEADS,
LIGHTING, CAMERAS OR SMOKE DETECTORS, ETC.



PANDUIT P/N	DIM "A"	DIM "B"
CURFS06F04HB**	1281.6 [50.46]	620.0 [24.41]
CURFS07F04HB**	1281.6 [50.46]	720.0 [28.35]
CURFS08F04HB**	1281.6 [50.46]	820.0 [32.28]
CURFS06F06HB**	1881.6 [74.08]	620.0 [24.41]
CURFS07F06HB**	1881.6 [74.08]	720.0 [28.35]
CURFS08F06HB**	1881.6 [74.08]	820.0 [32.28]

NOTE:
** DENOTES COLOR - ADD SUFFIX
"B1" FOR BLACK AND "W1" FOR WHITE

REV	DATE	BY	CHK	APR	DESCRIPTION	ECN
00C	11/3/17	LEE	PATR	SJP	SEE SHEET 1 OF 2 FOR REVISIONS	V09001MH
00B	7/25/16	MES	PATR	SJI	SEE SHEET 1 OF 2 FOR REVISIONS	V09000XU
00A	5-30-14	PBS	PATR	SJI	SEE SHEET 1 OF 2 FOR REVISIONS	12V359ST-DC

TITLE (CURFS**F**HB**) NET-CONTAIN UAC ROOFING SECTION			
CUSTOMER DRAWING			
ITEM REVISION NAME 12V359ST/00		PANDUIT	
DATASET FILE NAME 12V359ST_DC/00C			
MATERIAL: N/A		DRAWING NUMBER: 12V359ST-DC	
THIRD ANGLE PROJECTION			
DRAWN BY PBS	DATE 5-30-14	CHK PATR	SCALE NONE
SHT 2 OF 2			SIZE A

D10100DA/16