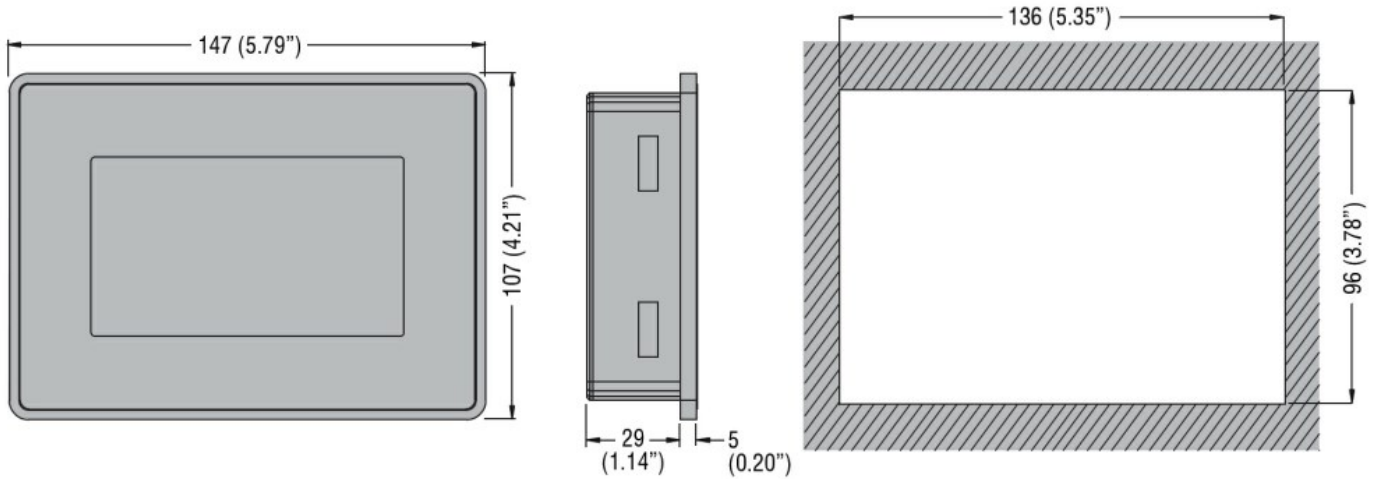




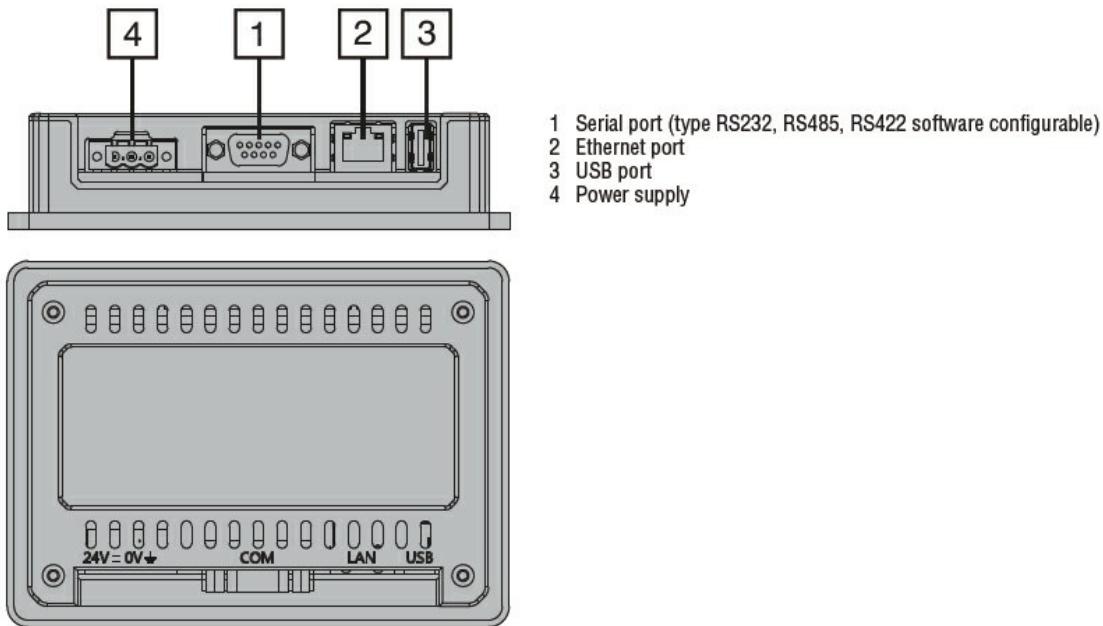
Product designation	HMI
Product type designation	LRHA04
Auxiliary supply voltage	24VDC
Power supply	
Rated auxil. supply voltage	12-24VDC
Operating voltage range	18...32VDC
Average current consumption	mA 250
System resources	
Display	4.3" graphic TFT display, touch screen, 64k colors
Colors	64K
Resolution	480x272
Brightness	200Cd/m2
Dimming	Yes
Touchscreen	Resistive
CPU	ARM Cortex A8 300MHz
Operative system	Linux 3.12
Flash	2GB
RAM	256MB
Application memory	60MB
Real Time Clock	Yes
Communications	
Type of communication port	Ethernet, USB and serial (RS232, RS485, RS422 software configurable)
Connections	
Terminals type	Screw, extractable
Ambient conditions	
Temperature	
Operating temperature	max °C +50
Storage temperature	min °C -20
	max °C +70
Relative humidity	% 5...85% without condensation
Maximum Pollution degree	2
Housing	
Mounting	Flush mount

Degree of protection		IP66, type 2, 4X (front); IP20 (rear)
Dimensions (W x H x D)	mm	147 x 107 x 34
Weight	g	400

Dimensions



Wiring diagrams



Certifications and compliance

Compliance

emissions EN 61000-6-3
 EN 61000-6-4
 immunity EN 61000-6
 immunity EN 61000-6-2 for installation in industrial environments

Certificates

cULus
 RCM

ETIM classification

ETIM 8.0

EC001412 -
 Graphic panel