

## DS-PDP18-EG2 PIR Detector

DS-PDP18-EG2 series of passive infrared detectors are equipped with dual-element infrared sensor and 3D Fresnel lens technology. Its detection range can reach 18 meters. When moving objects are detected in the detection area, the detector will output the alarm signal that has been filtered by the circuit, analyzed and calculated by microprocessor algorithm. It is suitable for various indoor scenes.

### Available Model

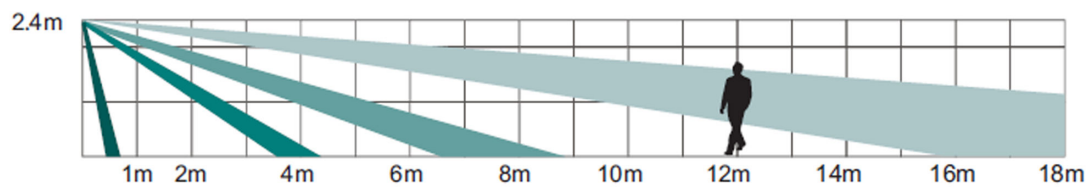
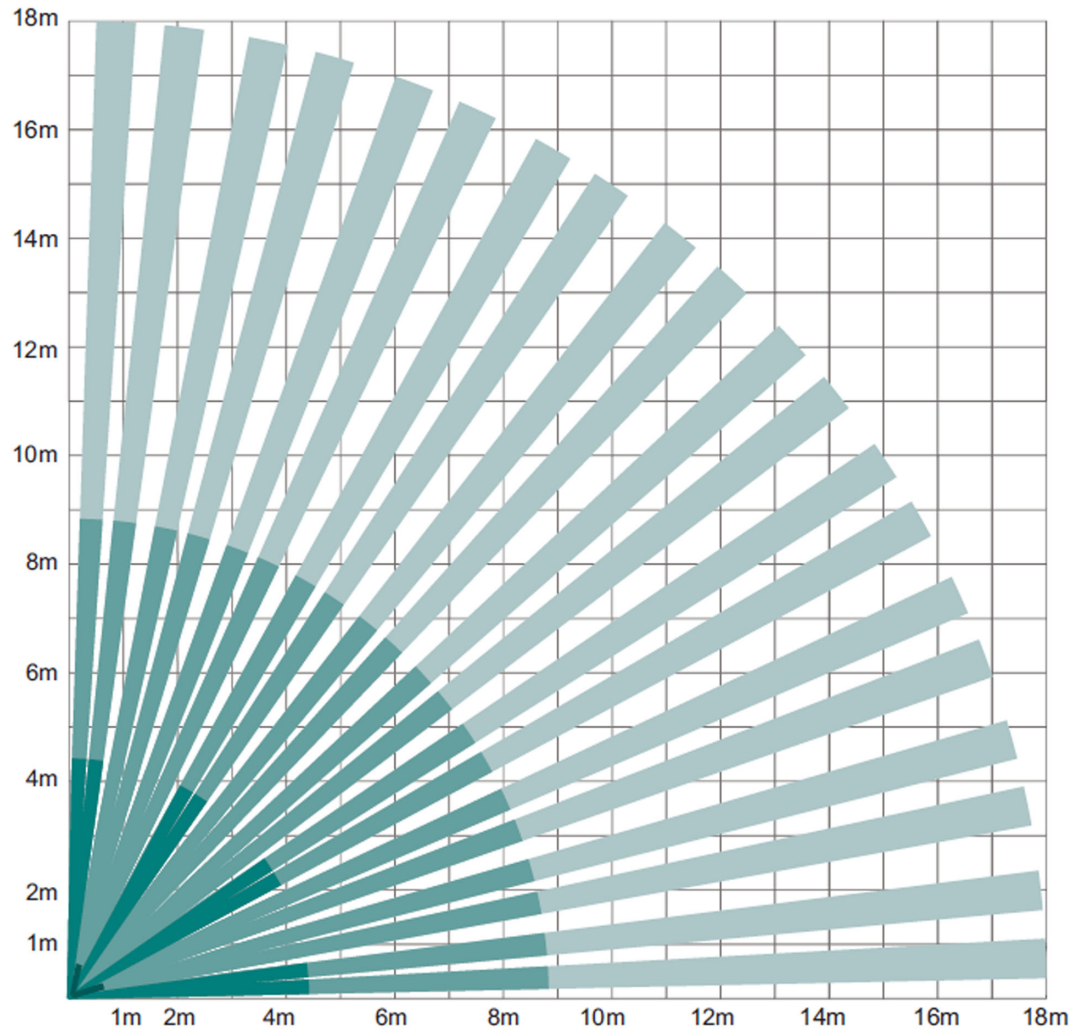
DS-PDP18-EG2

### Key Features

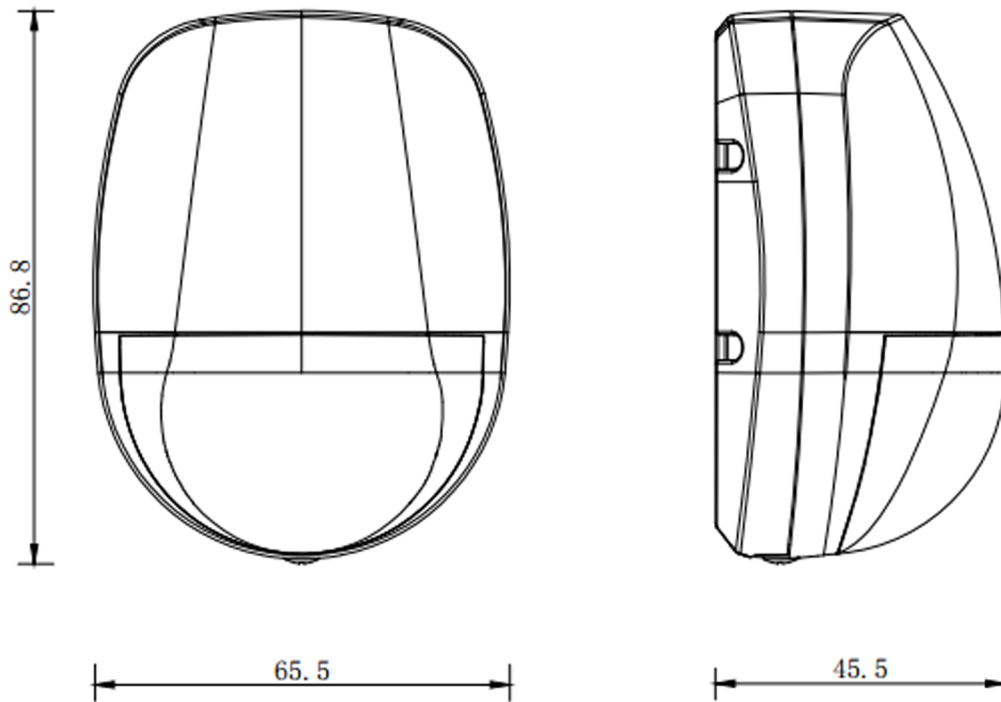
- Optional/Automatic sensitivity
- On-board EOL resistors. No need to add external resistors, which reduces the construction cost
- Supports single/double EOL resistors
- 52 zones 3D optics including creep-zone protection, full coverage without dead angle
- Sealed optics preventing insect invasion
- Global certifications available (EN/CE/FCC/CB/CCC/IC/RCM/KC/LOA)
- Blue LED indicator for displaying alarm events, On/Off configurable
- 9 to 16 V wide voltage adaptation with polarity reverse connection protection
- Wall/Ceiling-mounting brackets available (sold separately)
- Digital temperature compensation



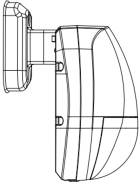
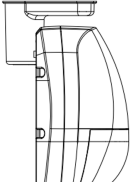
## Lens Diagram



**Installation**



**Dimension**

Mounting Type	Schematic Diagram	Mounting Type	Schematic Diagram
Wall Mounting		Ceiling Mounting	

## Specification

DS-PDP18-EG2	
Detection range	18 m, angle: 85.9°, creep-zone detection supported
Sensitivity	High, Auto, and Low
White light filter	6500 Lux
Tamper-proof	Front
Operation voltage	9 to 16 VDC (standard: 12 VDC)
Current consumption	< 20 mA (12 VDC)
Detection speed	0.3 to 3 m/s
Installation height	1.8 to 2.4 m, recommended: 2.2 m
Operation temperature	-10 °C to +40 °C (14 °F to 104 °F)
Weight	68 g (2.4 oz)
Dimension (W × H × D)	65.4 mm (2.57 ") × 86.8 mm (3.42 ") × 45.5 mm (1.79 ")

Distributed by




### Headquarters

No.555 Qianmo Road, Binjiang District,  
Hangzhou 310051, China  
T +86-571-8807-5998  
overseasbusiness@hikvision.com

**Hikvision USA**  
T +1-909-895-0400  
sales.usa@hikvision.com

**Hikvision Australia**  
T +61-2-8599-4233  
salesau@hikvision.com

**Hikvision India**  
T +91-22-28469900  
sales@pramahikvision.com

**Hikvision Canada**  
T +1-866-200-6690  
sales.canada@hikvision.com

**Hikvision Thailand**  
T +662-275-9949  
sales.thailand@hikvision.com

**Hikvision Europe**  
T +31-23-5542770  
sales.eu@hikvision.com

**Hikvision Italy**  
T +39-0438-6902  
info.it@hikvision.com

**Hikvision Brazil**  
T +55 11 3318-0050  
Latam.support@hikvision.com

**Hikvision Turkey**  
T +90 [216]521 7070- 7074  
sales.tr@hikvision.com

**Hikvision Malaysia**  
T +601-7652-2413  
sales.my@hikvision.com

**Hikvision UK & Ireland**  
T +01628-902140  
sales.uk@hikvision.com

**Hikvision South Africa**  
Tel: +27 (10) 0351172  
sale.africa@hikvision.com

**Hikvision France**  
T +33(0)1-85-330-450  
info.fr@hikvision.com

**Hikvision Kazakhstan**  
T +7-727-9730667  
nikia.panfilov@hikvision.ru

**Hikvision Vietnam**  
T +84-974270888  
sales.vt@hikvision.com

**Hikvision UAE**  
T +971-4-4432090  
salesme@hikvision.com

**Hikvision Singapore**  
T +65-6684-4718  
sg@hikvision.com

**Hikvision Spain**  
T +34-91-737-16-55  
info.es@hikvision.com

**Hikvision Tashkent**  
T +99-87-1238-9438  
uzb@hikvision.ru

**Hikvision Hong Kong**  
T +852-2151-1761  
info.hk@hikvision.com

**Hikvision Russia**  
T +7-495-669-67-99  
saleru@hikvision.com

**Hikvision Korea**  
T +82-(0)31-731-8817  
sales.korea@hikvision.com

**Hikvision Poland**  
T +48-22-460-01-50  
info.pl@hikvision.com

**Hikvision Indonesia**  
T +62-21-2933759  
Sales.Indonesia@hikvision.com

**Hikvision Colombia**  
sales.colombia@hikvision.com