

Part number

CAV 50 X29



Hood, C-TYPE series, with 2 levers, Pg29 top cable entry, size "66.40", high construction, without gasket

Product description

Product type	Hood
Series	C-TYPE
Closing type	With 2 levers
Size	Size "66.40"
Cable entry	Top cable entry with adapter Pg29
Specification	High construction, without gasket

Technical data

IP degree of protection	IP65 / IP66 / IP69
--------------------------------	--------------------

Further technical details

Weight	355,00 g
Operating temperature range (min, max)	-40°C...+125°C

Material properties

Other materials	Lever: Stainless steel, polyamide (PA)
Colour	RAL 7040 grey
RoHs conformity	Compliant with exemption 6(c): copper alloy containing up to 4% lead by weight
China RoHs - EFUP	50
REACH SVHC substances	Yes Lead
SCIP number	15deaf78-e939-4401-a0b0-e2228ca32a03

Approvals / Standards

Certifications	DNV, BV
UL	ECBT2
cUL	ECBT8

General ordering information

EAN13 code	8015747010306
-------------------	---------------

Packaging Information

Packaging length	240,00 mm
Packaging height	120,00 mm
Packaging width	355,00 mm
Packaging weight	3,78 kg
Packaging volume	10,22 dm ³
Packaging description	Carton box
Packaging quantity	10 Pcs
Packaging EAN code	8015747010313

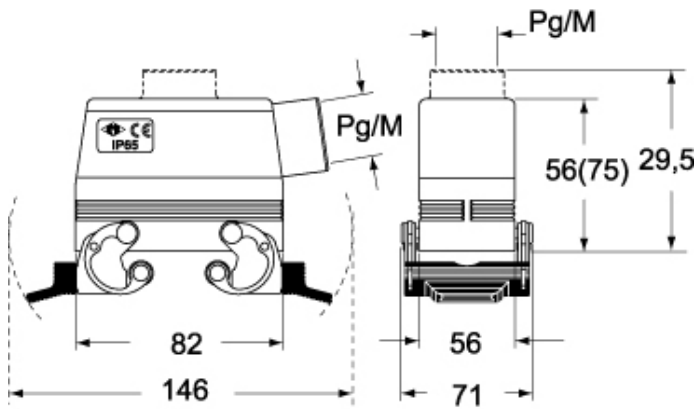
Part number

CAV 50 X29

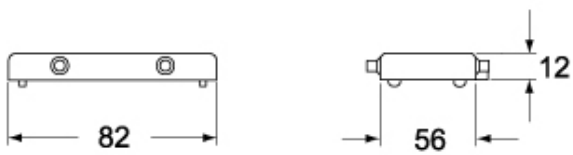


Catalogue drawings

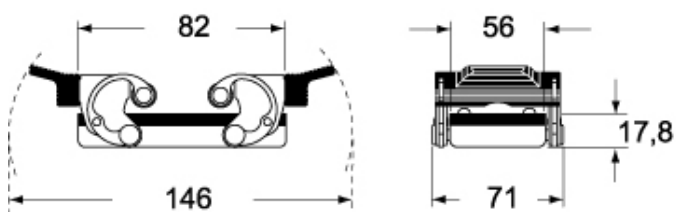
CHO X (CAO X) - CAV X
MHO X (MAO X/MFO X/MFV X) - MAV X



CHC



CHC G



Notes

Dimensions shown in mm are not binding and may be changed without notice.