



Micro PLC expansion module, 4 digital inputs + 4 relay outputs
LRE08RA240
100...240VAC

Product designation

Product type designation

Auxiliary supply voltage

Number of inputs

Number of outputs

Nr. 4 digital

Nr. 4 relay

Power supply

Rated auxil. supply voltage

100...240VAC

Operating voltage range

85...265VAC

Operating frequency range

Hz 47...63

Digital inputs

Number of digital input

Nr. 4

Rated voltage

V 100...240VAC

Input signals

State 0 (OFF)

<40VAC

State 1 (ON)

>79VAC

Digital outputs

Number of digital output

Nr. 4

type

Relay

Connections

Terminals type

Screw

Ambient conditions

Temperature

Operating temperature

min °C -20

max °C +55

Storage temperature

min °C -40

max °C +70

Relative humidity

% <90% (non condensing)

Housing

Mounting

35mm DIN rail or screw fixing (M4x15mm)

Degree of protection

IP20

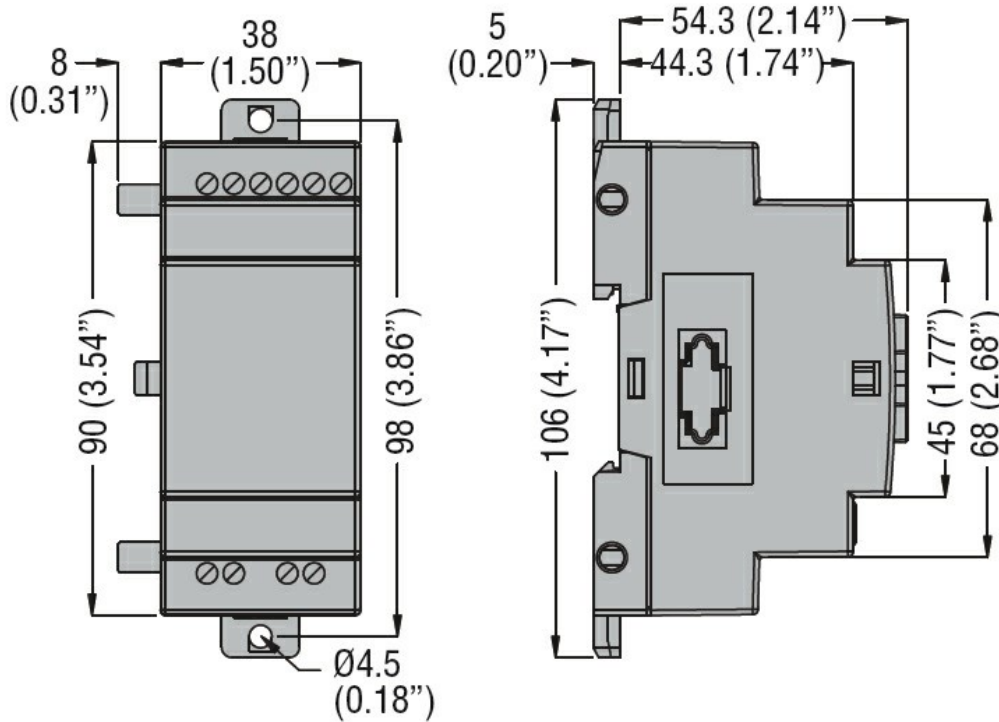
Dimensions (W x H x D)

mm 38 x 106 x 59.3

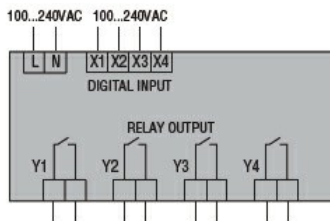
Weight

g 180

Dimensions



Wiring diagrams



Certifications and compliance

Compliance

CSA C22.2 n° 142

IEC/EN 61131-2

UL508

Certificates

cULus

EAC

ETIM classification

ETIM 8.0

EC001419 - PLC
digital I/O-module