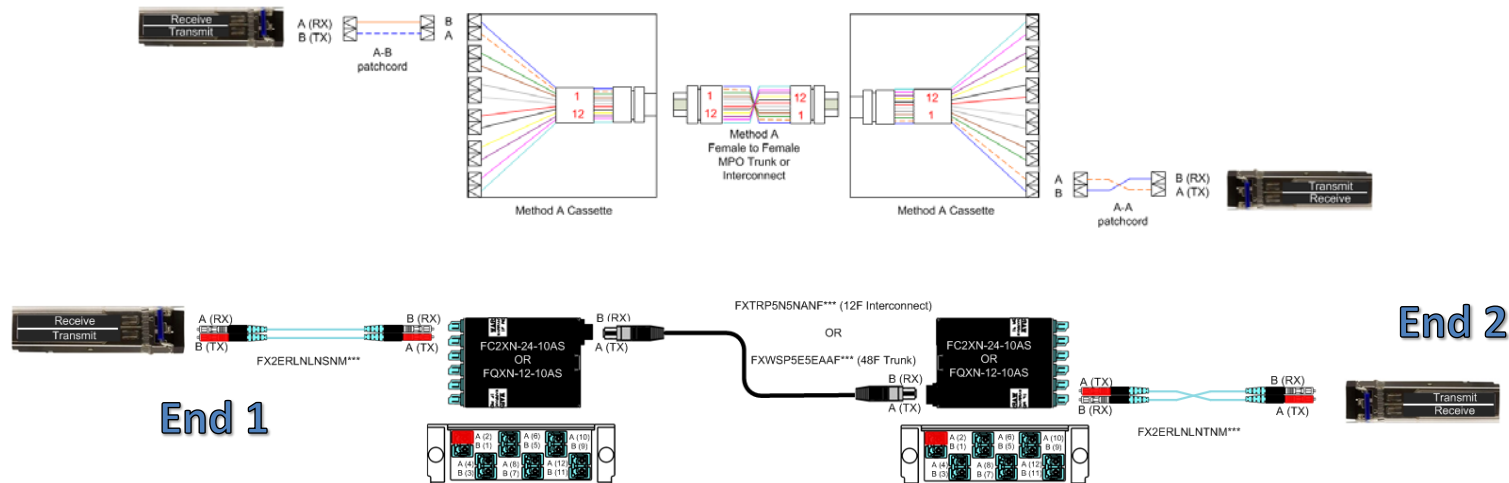


Panduit Link Scenarios
Method A Guidelines for Typical Multimode Duplex Signals
10G Ethernet and Fibre Channel Applications
(OM3 Fiber with Standard Loss)

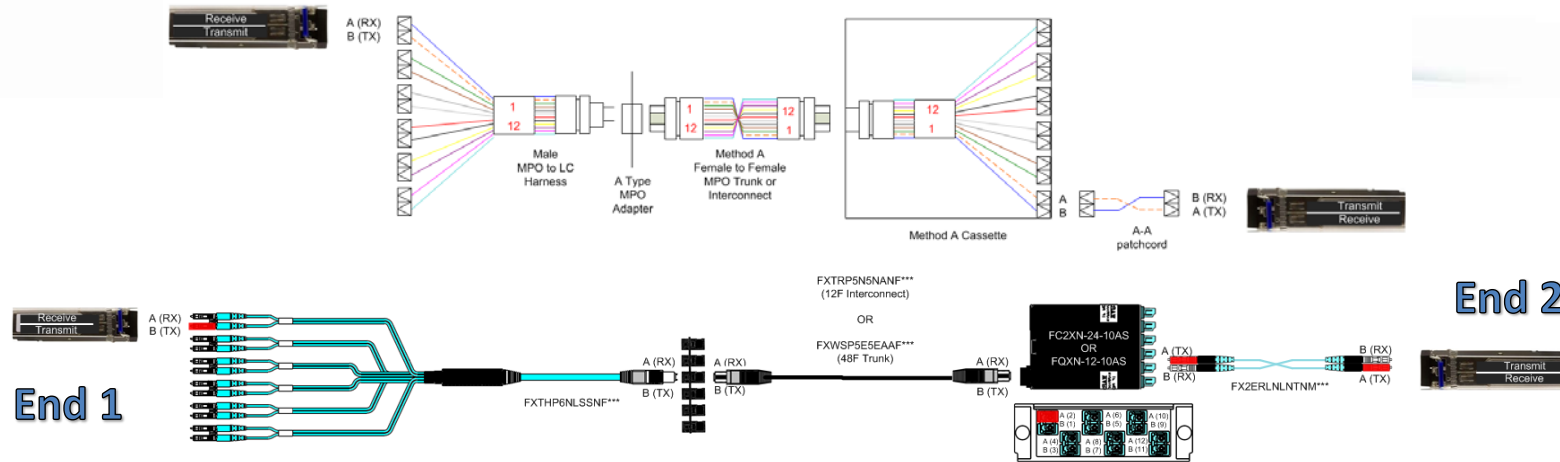
Method A Link with OM3 Fiber and Standard Loss - 2 Harness Design



Method A Link with OM3 Fiber and Standard Loss – 2 Harness Design						
Component Description	Part Number	Description	Standard Insertion Loss	Quantity	Polarity	Total Link Loss
Harness (End 1)	FXTHP6NLSNF***	Harness MTP* (male) to duplex LC, OM3, 12-fiber, flat plenum jacket	0.50dB Max. IL per mated MTP* 0.25dB Max. IL per mated LC	1	Type A (1-1 wiring)	1.00dB plus cable attenuation (3.5dB per Km)
MPO Fiber Adapter Panel (FAP)	FAPH0612BLMPO or FQMAP65BL	6-port MTP*/MPO Adapter FAP (Opticom Style) or 6-port MTP*/MPO Adapter SFQ FAP	NA – dependent on connector	2	Type A	
Interconnect or Trunks	FXTRP5N5NANF*** or FXWSP5E5EAAF***	Interconnect MTP* - MTP* (female); OM3, 12-fiber round cable with plenum jacket or Trunk MTP* - MTP* (Female); OM3, 48-fiber cable with indoor plenum jacket	0.50dB Max. IL per mated MTP*	1	Type A	
Harness (End 2)	FXTHP6NLSTNF***	Harness MTP* (Male) to duplex LC; OM3, 12-fiber, flat plenum jacket	0.50dB Max. IL per mated MTP* 0.25dB Max. IL per mated LC	1	Type A (Pair-flipped wiring)	

*MTP is a registered trademark of US Conec Ltd.

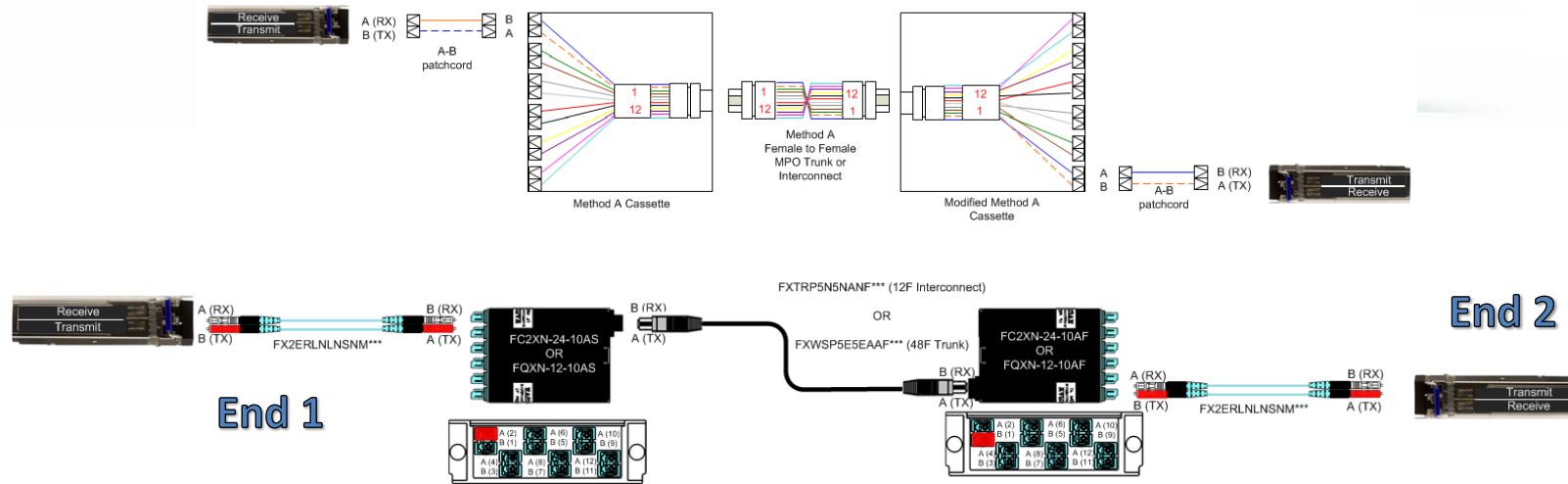
Method A Link with OM3 Fiber and Standard Loss - 1 Harness and 1 Cassette Design



<i>Method A Link with OM3 Fiber and Standard Loss - 1 Harness and 1 Cassette Design</i>						
Component Description	Part Number	Description	Standard Insertion Loss	Quantity	Polarity	Total Link Loss
Harness (End 1)	FXTHP6NLSNF***	Harness MTP* (male) to duplex LC, OM3, 12-fiber, flat plenum jacket	0.50dB Max. IL per mated MTP* 0.25dB Max. IL per mated LC	1	Type A	1.25dB plus cable attenuation (3.5dB per Km)
MPO Fiber Adapter panel (FAP)	FAPH0612BLMPO or FQMAP65BL	6-port MTP*/MPO Adapter FAP (Opticom Style) or 6-port MTP*/MPO Adapter SFQ FAP	NA – dependent on connector	1	Type A	
Interconnect or Trunks	FXTRP5N5NANF*** or FXWSP5E5EAAF***	Interconnect MTP*- MTP* (female); OM3, 12-fiber round cable with plenum jacket or Trunk MTP*- MTP* (female); OM3, 48-fiber cable with indoor plenum jacket	0.50dB Max. IL per mated MTP*	1	Type A	
Cassette (End 2)	FC2XN-24-10AS or FQXN-12-10AS	QuickNet Cassette (Opticom style); OM3; 24-fiber MTP* to duplex LC or SFQ Cassette, OM3; 12-fiber; MTP* to duplex LC	0.75dB Max. Link Loss	1	Type A	
Patch Cord (End 2)	FX2ERLCLCTNM***	Duplex LC – LC Patch Cord; OM3; with riser jacket	0.25dB Max. IL per mated LC	1	A-A	
<p>Note: There is an alternative configuration for customers who prefer A-B duplex patch cords. In the above list, replace the End 2 Cassette with FC2XN-24-10AF or FQXN-12-10AF (Modified Method A; pair flipped), and replace the End 2 patch cord with FX2ERLNLNSNM*** (A-B polarity)</p>						

*MTP is a registered trademark of US Conec Ltd.

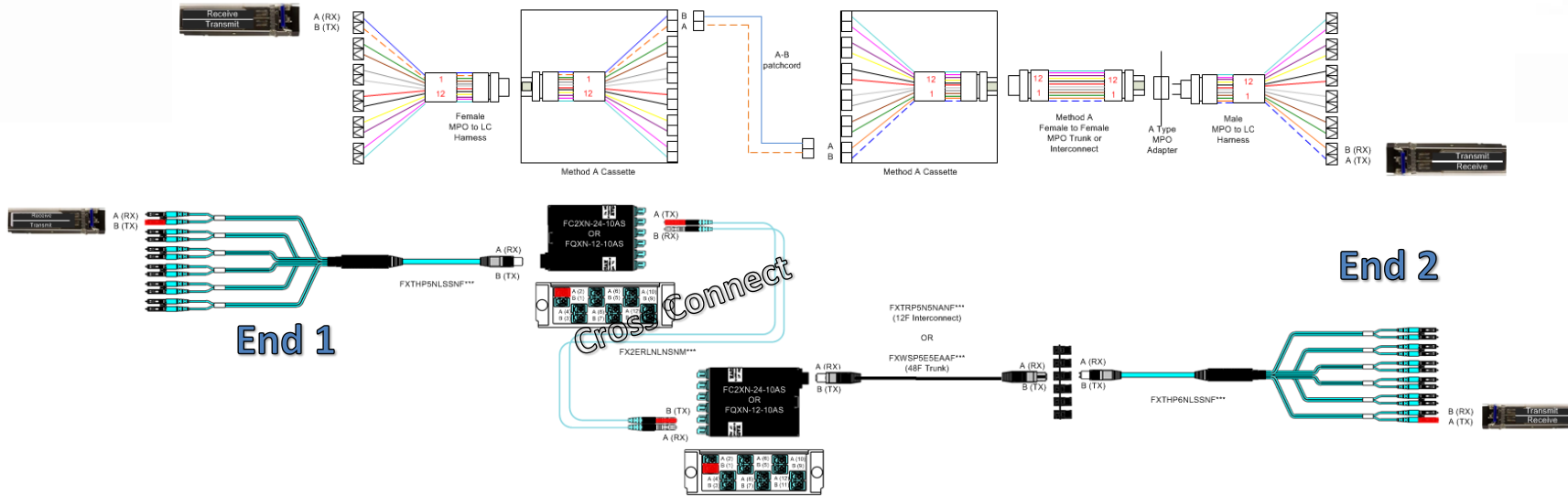
Modified Method A Link with OM3 Fiber and Standard Loss - 2 Cassette Design



Modified Method A Link with OM3 Fiber and Standard Loss - 2 Cassette Design						
Component Description	Part Number	Description	Standard Insertion Loss	Quantity	Polarity	Total Link Loss
Patch Cord (End 1 & End 2)	FX2ERLNLNSNM***	Duplex LC-LC patch cord; OM3; with riser jacket	0.25dB Max. IL. Per mated LC	2	A-B	1.50dB plus cable attenuation (3.5dB per Km)
Cassette (End 1)	FC2XN-24-10AS or FQXN-12-10AS	QuickNet Cassette (Opticom style); OM3, 24-fiber MTP* to duplex LC or SFQ Cassette; OM3; 12-fiber MTP* to Duplex LC	0.75dB Max. Link Loss	1	Type A	
Interconnect or Trunks	FXTRP5N5NANF*** or FXWSP5E5EAAF***	Interconnect MTP*- MTP* (female); OM3, 12-fiber round cable with plenum jacket or Trunk MTP*- MTP* (female); OM3, 48-fiber cable with indoor plenum jacket	0.50dB Max. IL per mated MTP*	1	Type A	
Cassette (End 2)	FC2XN-24-10AF or FQXN-12-10AF	QuickNet Cassette (Opticom style) OM3, 24-fiber MTP* to duplex LC or SFQ Cassette; OM3, 12-fiber MTP to duplex LC	0.75dB Max Link Loss	1	Modified A; pair-flipped	
Note: By incorporating a Modified Method A Cassette into this link design, the use of A-B patch cords is uniform at each end and an A-A patch cord is not required.						

*MTP is a registered trademark of US Conec Ltd.

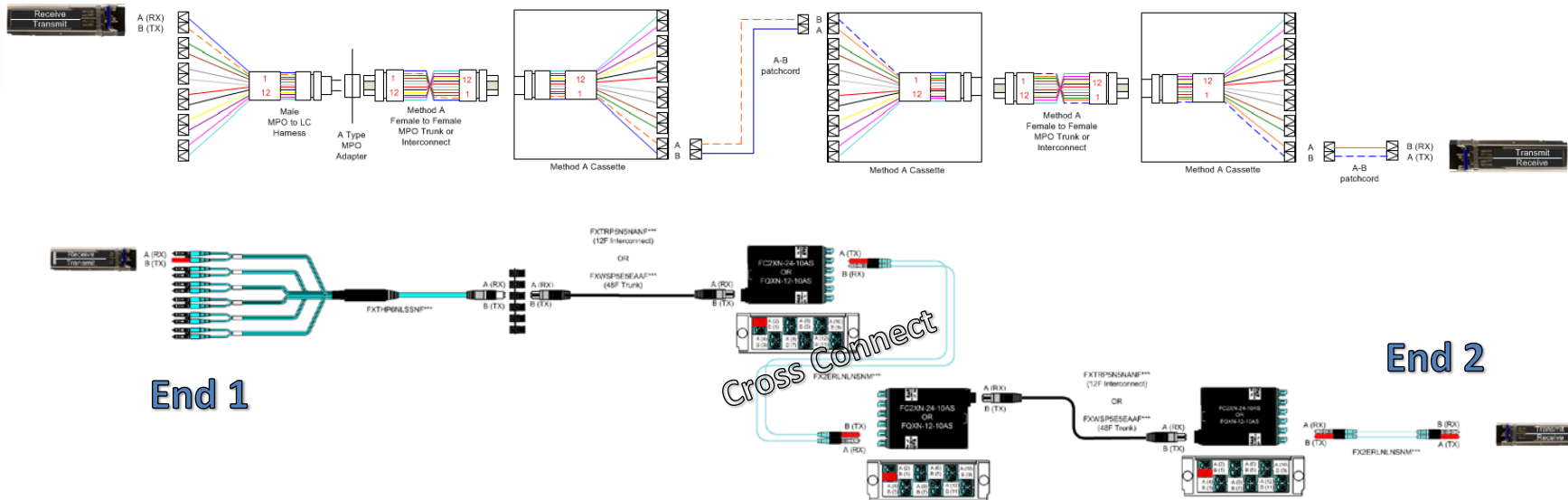
Method A Link with OM3 Fiber and Standard Loss - 2 Harness and 2 Cassette Design



Method A Link with OM3 Fiber and Standard Loss - 2 Harness and 2 Cassette Design						
Component Description	Part Number	Description	Standard Insertion Loss	Quantity	Polarity	Total Link Loss
Harness (End 1)	FXTHP5NLSSNF***	Harness MTP* (Female) to duplex LC, OM3, 12-fiber, flat plenum jacket	0.50dB Max. IL. per mated MTP* 0.25dB Max. IL. per mated LC	1	Type A (1-1 Wiring)	2.00dB plus cable attenuation (3.5dB per Km)
Cassette (Cross Connect)	FC2XN-24-10AS or FQXN-12-10AS	QuickNet Cassette (Opticom style); OM3, 24-fiber MTP* to duplex LC or SFQ Cassette; OM3; 12-fiber MTP* to Duplex LC	0.75dB Max. Link Loss	2	Type A	
Patch Cord (Cross Connect)	FX2ERLNLNSNM***	Duplex LC-LC patch cord, OM3 with riser jacket	0.25dB Max. per mated LC	1	A-B	
Interconnect or Trunks	FXTRP5N5NANF*** or FXWSP5E5EAAF***	Interconnect MTP*- MTP* (female); OM3, 12-fiber round cable with plenum jacket or Trunk MTP*- MTP* (female); OM3, 48-fiber cable with indoor plenum jacket	0.50dB Max. IL per mated MTP*	1	Type A	
MPO Fiber Adapter Panel (FAP)	FAPH0612BLMPO or FQMAP65BL	6-port MTP*/MPO adapter FAP (Opticom Style) or 6-port MTP*/MPO adapter SFQ FAP	NA – dependent on connector	1	Type A	
Harness (End 2)	FXTHP6NLSSNF***	Harness MTP* (Male) to duplex LC, OM3, 12-fiber, flat plenum jacket	0.50dB Max. IL. per mated MTP* 0.25dB Max. IL. per mated LC	1	Type A (1-1 Wiring)	

*MTP is a registered trademark of US Conec Ltd.

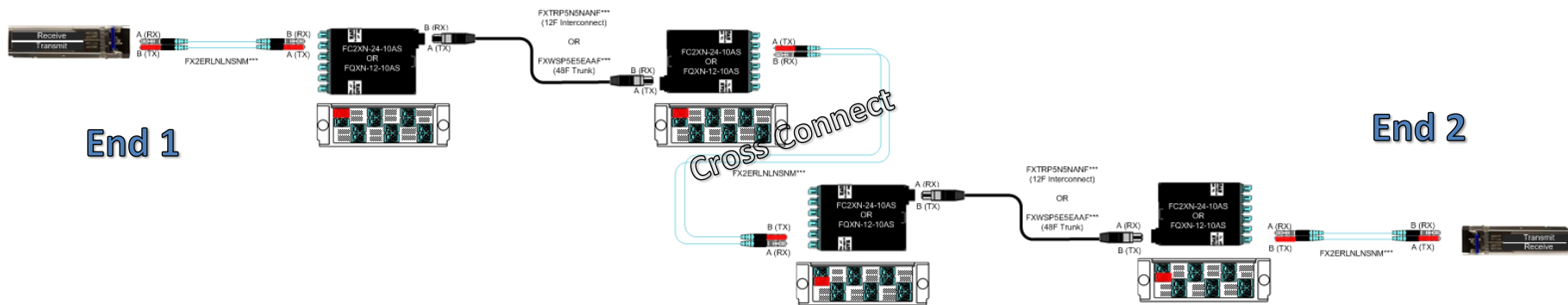
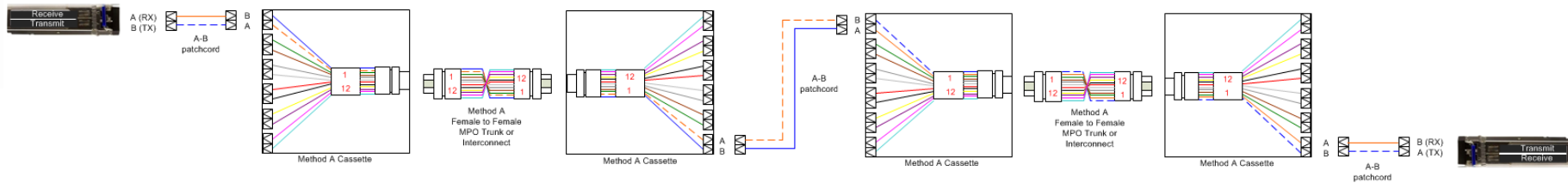
Method A Link with OM3 Fiber and Standard Loss – 1 Harness and 3 Cassette Design



Method A Link with OM3 Fiber and Standard Loss - 1 Harness and 3 Cassette Design						
Component Description	Part Number	Description	Standard Insertion Loss	Quantity	Polarity	Total Link Loss
Harness (End 1)	FXTHP6NLSNF***	Harness MTP* (Male) to duplex LC, OM3, 12-fiber, flat plenum jacket	0.50dB Max. IL. per mated MTP* 0.25dB Max. IL. per mated LC	1	Type A (1-1 Wiring)	2.00dB plus cable attenuation (3.5dB per Km)
MPO Fiber Adapter Panel (FAP)	FAPH0612BLMPO or FQMAP65BL	6-port MTP*/MPO adapter FAP (Opticom Style) or 6-port MTP*/MPO adapter SFQ FAP	NA – dependent on connector	1	Type A	
Interconnect or Trunks	FXTRP5N5NANF*** or FXWSP5E5EAAF***	Interconnect MTP*- MTP* (female); OM3, 12-fiber round cable with plenum jacket or Trunk MTP*- MTP* (female); OM3, 48-fiber cable with indoor plenum jacket	0.50dB Max. IL per mated MTP*	2	Type A	
Cassette (Cross Connect & End 2)	FC2XN-24-10AS or FQXN-12-10AS	QuickNet Cassette (Opticom style); OM3, 24-fiber MTP* to duplex LC or SFQ Cassette; OM3; 12-fiber MTP* to Duplex LC	0.75dB Max. Link Loss	3	Type A	
Patch Cord (Cross Connect & End 2)	FX2ERLNLNSNM***	Duplex LC-LC patch cord, OM3 with riser jacket	0.25dB Max. per mated LC	2	A-B	

*MTP is a registered trademark of US Conec Ltd.

Method A Link with OM3 Fiber and Standard Loss - 4 Cassette Design



Method A Link with OM3 Fiber and Standard Loss - 4 Cassette Design						
Component Description	Part Number	Description	Standard Insertion Loss	Quantity	Polarity	Total Link Loss
Patch Cord (End 1, Cross Connect & End 2)	FX2ERLNLNSNM***	Duplex LC-LC patch cord, OM3 with riser jacket	0.25dB Max. per mated LC	3	A-B	2.00dB plus cable attenuation (3.5dB per Km)
Cassette (End 1, Cross Connect & End 2)	FC2XN-24-10AS OR FQXN-12-10AS	QuickNet Cassette (Opticom style); OM3, 24-fiber MTP* to duplex LC or SFQ Cassette; OM3; 12-fiber MTP* to Duplex LC	0.75dB Max. Link Loss	4	Type A	
Interconnect or Trunks	FXTRP5N5NANF*** OR FXWSP5E5EAAF***	Interconnect MTP*- MTP* (female); OM3, 12-fiber round cable with plenum jacket or Trunk MTP*- MTP* (female); OM3, 48-fiber cable with indoor plenum jacket	0.50dB Max. IL per mated MTP*	2	Type A	

*MTP is a registered trademark of US Conec Ltd.