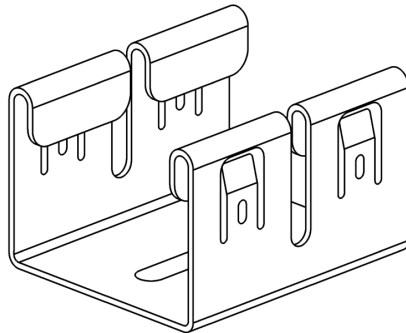


**SL 100**

Reference(s) : 585 190


**1 RANGE**

Designation	Code	Matière Raw material	Norme Standard	Finition Coating	Norme standard	Epaisseur Thickness (mm/Inch)	Colisage Packing	Masse Weight (KG)
SL 100	585 190	DX 51 D Z275 MAC	EN 10346	GS	-	1,5/0,059"	1	0,118

Dimensions in (mm/inch) :

