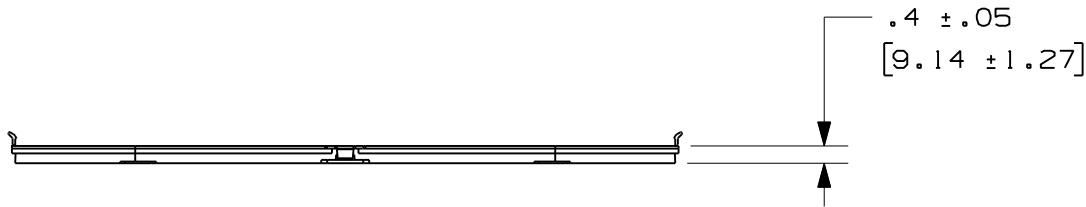
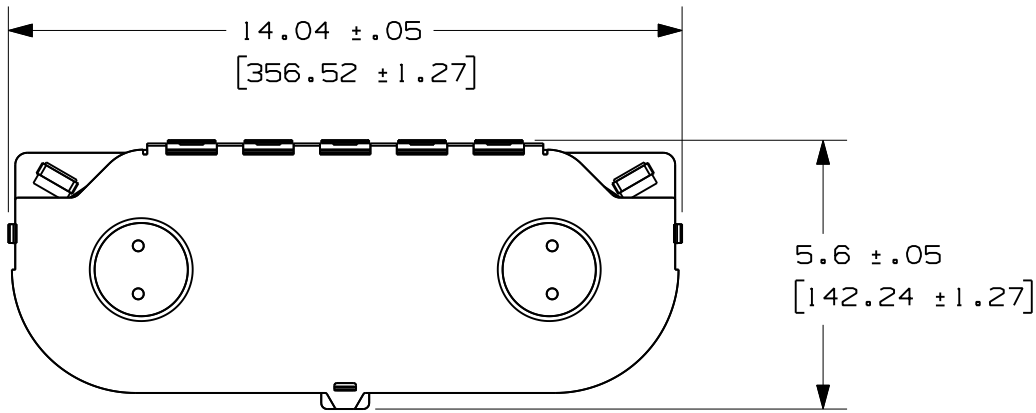
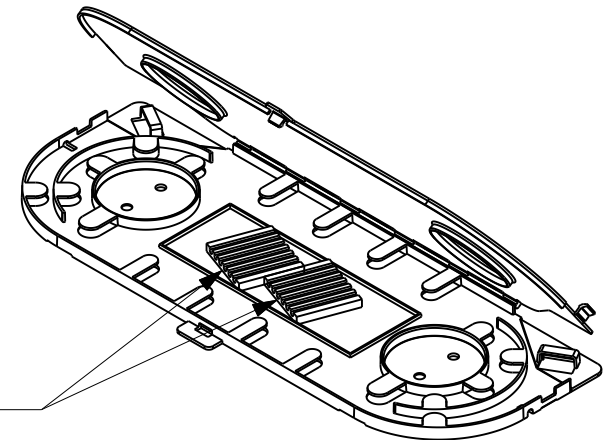


THIS COPY IS PROVIDED ON A RESTRICTED BASIS AND IS NOT TO BE USED IN ANY WAY DETRIMENTAL TO THE INTERESTS OF PANDUIT CORP.



PANDUIT PART NO.	WEIGHT
FOSMM	0.5 LBS/EACH 0.23 Kg/EACH

- SUPPLIED COMPONENTS:
 1. (2) MECHANICAL SPLICE CHIPS
 2. (1) 24-PORT GRID LABEL



MECHANICAL SPLICE CHIPS

MODEL FILENAME V10422AT_SPLICETRAY_ASSY_11.PRT

CAD FILENAME/LAYERS V10422AM_DC_00A.PRT

PANDUIT CORP. TINLEY PARK, ILLINOIS

FIBER OPTIC SPLICE MODULE - MECHANICAL (FOSMM) CUSTOMER DRAWING

UNLESS OTHERWISE SPECIFIED, DIMENSIONAL TOLERANCES ARE:
 INCHES X.X +/- 0.03 X.XX +/- 0.015 X.XXX +/- 0.005 [METRIC - MILLIMETER] X.X +/- 0.8 X.XX +/- 0.4 X.XX +/- 0.13 ANGLE +/- 1°

UNLESS OTHERWISE SPECIFIED, ALL DIMENSIONS ARE GIVEN IN INCHES, THIRD ANGLE PROJECTION.

DRAWN BY MAV

MAT'L:

SCALE NONE

DATE 11-6-07

SEE NOTES

DRAWING NO.

10422-40

DWG SIZE A

REV	DATE	BY	CHK	DESCRIPTION	ECN	R	CUST	SUP	OTH
00	11-6-07	MAV		RELEASED	10422-40				