

|   |                   |      |           |   |
|---|-------------------|------|-----------|---|
| Product designation                                       |                   |      |           | Rotary cam switches   |
| Product type designation                                  |                   |      |           | GX16  |
| <b>General characteristics</b>                            |                   |      |           |   |
| Switching diagram   |                   |      |           | 08 - ON/OFF switch 4 poles  |
| N° of elements  |                   |      |           | 2   |
| Mounting form   |                   |      |           | U11 - Front mounting with black handle without front plate for hole diam. 22mm fixing |
| <b>Contact characteristics</b>                            |                   |      |           |   |
| Rated insulation voltage $U_i$                            | IEC/EN            | V    | 690       |   |
|   | UL/CSA            | V    | 600       |   |
| Rated impulse withstand voltage $U_{imp}$                 |                   | kV   | 6         |   |
| Conventional free air thermal current $I_{th}$            | IEC/EN            | A    | 16        |   |
|   | UL/CSA            | A    | 12        |   |
| Rated operational voltage                                 |                   | V    | 440       |   |
| Rated operational impulse voltage                         |                   | kV   | 4         |   |
| Maximum fuse size for short-circuit protection $I_n$ (gG) | 10kA              | A    | 16        |   |
|   | 15kA              | A    | 16        |   |
|   | 25kA              | A    | 16        |   |
| Rated short time current $I_{cw}$                         |                   |      |           |   |
|   | 1s                | A    | 250       |   |
| Conductivity  |                   |      | 10/5 mA/V |   |
| Operational current $I_e$ IEC/EN                          | AC1/AC21A         |      |           |   |
|   |                   |      | A         | 16  |
| AC15  | 110V              | A    | 10        |   |
|   | 220/230V          | A    | 8         |   |
|   | 380/400V          | A    | 4         |   |
|   | 660/690V          | A    | 1.5       |   |
|   |                   |      |           |   |
| Rated operational power in AC                             | Three-phase AC-3  |      |           |   |
|   | 220/230V          | kW   | 3.5       |   |
|   | 380/440V          | kW   | 4.5       |   |
|   | 500/690V          | kW   | 5.5       |   |
|   | Single-phase AC-3 |      |           |   |
|   | 110V              | kW   | 0.55      |   |
|   | 220/230V          | kW   | 1.5       |   |
|   | 380/440V          | kW   | 2.2       |   |
|   | Three-phase AC23A |      |           |   |
|   | 220/230V          | kW   | 3.7       |   |
|   | 380/440V          | kW   | 6.5       |   |
|   | 500/690V          | kW   | 7.5       |   |
| Single-phase AC23A  |                   |      |           |   |
| 110V  | kW                | 0.75 |           |   |

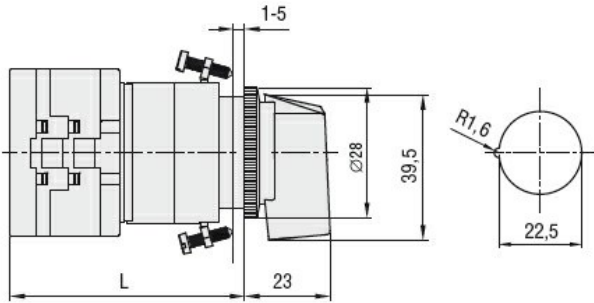
|   |          |                 |                   |
|---|----------|-----------------|-------------------|
|   | 220/230V | kW              | 1.8               |
|   | 380/440V | kW              | 3                 |
| <b>Rated operational current in DC</b>        |          |                 |                   |
| DC21A   |          |                 |                   |
|   | 48V      | A               | 16                |
|   | 60V      | A               | 16                |
|   | 110V     | A               | 4                 |
|   | 220V     | A               | 0.6               |
|   | 440V     | A               | 0.25              |
| <b>DC23A (poles in series)</b>                |          |                 |                   |
|   | 24V      | A               | 16 (1)            |
|   | 48V      | A               | 16 (2)            |
|   | 60V      | A               | 16 (3)            |
|   | 110V     | A               | 10 (3)            |
|   | 220V     | A               | 7 (4)             |
| <b>DC13</b>                                   |          |                 |                   |
|   | 24V      | A               | 16                |
|   | 48V      | A               | 14                |
|   | 60V      | A               | 10                |
|   | 110V     | A               | 1                 |
|   | 220V     | A               | 0.4               |
|   | 440V     | A               | 0.15              |
| <b>Power dissipation</b>                      |          | W               | 0.6               |
| <b>Mechanical features</b>                    |          |                 |                   |
| <b>Terminals screw</b>                        |          |                 | 3M                |
| <b>Tightening torque for terminals max</b>    |          | Nm              | 0.5               |
| <b>Conductor size</b>                         |          |                 |                   |
| AWG - Rigid cable                             |          |                 |                   |
|   | min      | AWG             | 20                |
|   | Max      | AWG             | 12                |
| AWG - Flexible cable                          |          |                 |                   |
|   | min      | AWG             | 20                |
|   | Max      | AWG             | 12                |
| Conductor size (IEC) - Flexible cable         |          |                 |                   |
|   | min      | mm <sup>2</sup> | 0.5               |
|   | Max      | mm <sup>2</sup> | 2.5               |
| Conductor size (IEC) - Rigid cable            |          |                 |                   |
|   | min      | mm <sup>2</sup> | 0.5               |
|   | Max      | mm <sup>2</sup> | 2.5               |
| <b>Mechanical life</b>                        |          | cycles          | 1X10 <sup>6</sup> |
| <b>UL technical data</b>                      |          |                 |                   |
| <b>Motor power for direct-on-line control</b> |          |                 |                   |
| for three-phase motor                         |          |                 |                   |
|   | 120V     | HP              | 1.5               |
|   | 240V     | HP              | 3                 |
|   | 480V     | HP              | 5                 |
|   | 600V     | HP              | 5                 |
| for single-phase motor                        |          |                 |                   |
|   | 120V     | HP              | 0.75              |
|   | 240V     | HP              | 1                 |
| <b>Ambient conditions</b>                     |          |                 |                   |
| <b>Temperature</b>                            |          |                 |                   |
| Operating temperature                         |          |                 |                   |
|   | min      | °C              | -25               |

|                     |     |    |     |
|---------------------|-----|----|-----|
| Storage temperature | max | °C | +55 |
|                     | min | °C | -40 |
|                     | max | °C | +70 |

**Resistance & Protection**

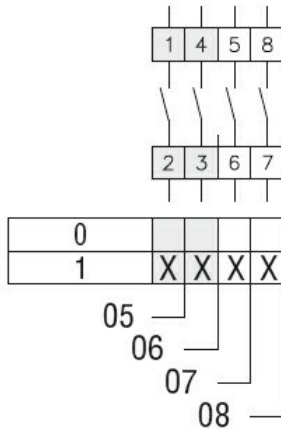
|                     |      |
|---------------------|------|
| Frontal IP degree   | IP65 |
| Terminals IP degree | IP20 |

**Dimensions**



| Series      | L  |      |         |       |
|-------------|----|------|---------|-------|
|             | 1  | 2    | 3.....8 |       |
| <b>GX16</b> | 54 | 62.5 | 71      | 147.5 |
| <b>GX20</b> | 54 | 62.5 | 71      | 147.5 |

**Wiring diagrams**



**Certifications and compliance**

**Compliance**

|                     |
|---------------------|
| CSA C22.2 n° 14     |
| IEC/EN/BS 60947-1   |
| IEC/EN/BS 60947-3   |
| IEC/EN/BS 60947-5-1 |
| IEC/EN/BS 61058-1   |
| UL60947-4-1         |

**Certificates**

|       |
|-------|
| cULus |
| EAC   |

**ETIM classification**

|          |                                      |
|----------|--------------------------------------|
| ETIM 8.0 | EC001029 - Selector switch, complete |
|----------|--------------------------------------|