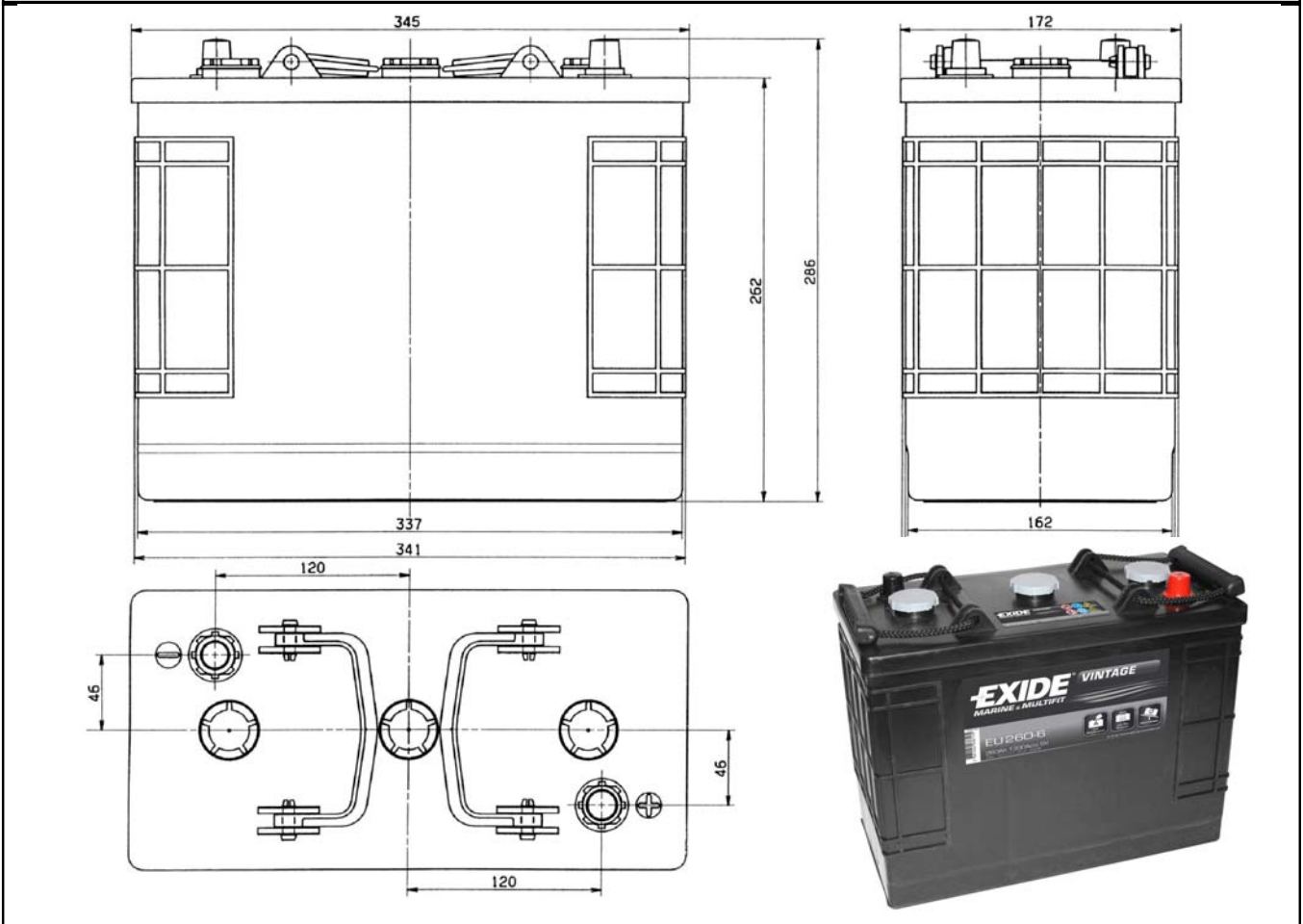


Central Article Code: M08130S01-A  
 ETN Code or Other:

Created: 07/09/2005  
 Modified: 01/02/2010



PERFORMANCES		CONTAINER	
Voltage (V):	6 V	Type:	M08 BLACK
C20 (Ah):	260.0 20 h	Hold Down:	B0
Rc (min):	0	H. D. Adapter:	No
Cranking (A):	1300 EN	<b>COVER</b>	
Vibration:	V3 (35Hz/6g/20h)	Type:	Flat/Screw BLACK
Endurance:	E2 (90 cycles@50%)	Polarity:	ETN 0
Charge:	WET	Terminals:	EN taper post
Technology:	Vented/Flooded	Terminal Adapter:	No
Grid :	Low Sb	SOCI:	No
<b>WEIGHT AND STD. DIMENSIONS</b>		Ventilation:	Independent
Battery Weight (kg):	39.11	Filter:	No
Volume acid (l):	8.93	Lateral Plug:	No
Length (mm):	345	<b>PLUGS</b>	
Width (mm):	172	Type:	3 x M27(STE) GREY MEDIUM
Height (mm):	286	<b>HANDLES</b>	
		Type:	2 x Rigid BLACK
		<b>OTHERS</b>	
		Degassing Tube:	No