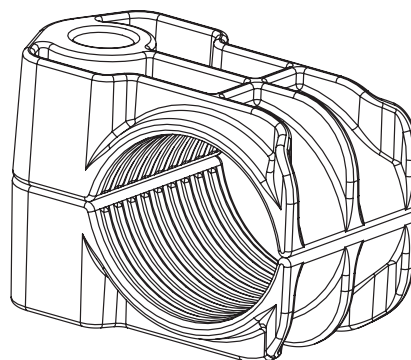
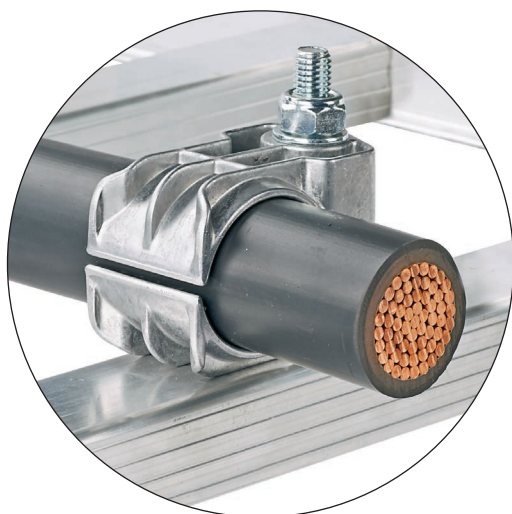


Cable Cleats for Short Circuit Protection - Aluminum One-Hole Cleat

overview

The Aluminum One-Hole Cleat is ideal for lower to medium short circuit faults in less corrosive environments. It is available in multiple sizes with cable range-taking capability and is suitable for single conductor cables.

The cleat is installed direct to the cable tray rung via a fixing hole and M10 bolt. Insulating spacers and washers are available to protect against galvanic corrosion in case of dissimilar cable tray rung and cable cleat materials.



features



Cleats comply with IEC 61914:2015 standard. Tested at third party laboratory
Cast aluminum material
Operating temperature -40°C to +120°C (-40°F to +248°F)
10 – 57 mm cable diameter range-taking via 7 parts. Custom sizes available upon request
Dual bolt fixing (M10)
Rounded aluminum edges for cable insulation protection
Ridges help hold cable in place
Available insulating spacers and washers
Interlock feature prevents rotation between top and bottom pieces of cleat

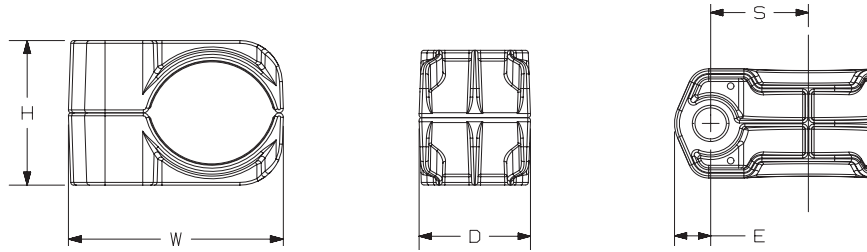
short circuit testing summary¹

Flat Formation 105 mm Cable Spacing	Flat Formation 105 mm Cable Spacing
One Short Circuit Event (Clause 6.4.4) 600 mm spacing	Two Short Circuit Events (Clause 6.4.5) 600 mm spacing
93.4 kA	93.4 kA
1904 lbs force (8.47 kN)	1904 lbs force (8.47 kN)

¹Test compliance to IEC 61914:2015 utilizing KEMA facility; Independent, ISO 17025 accredited testing, inspection, and certification services (IEEE, IEC, UL, and ANSI) for electric power equipment.

Cable Cleats for Short Circuit Protection - Aluminum One-Hole Cleat

technical data



Part Number	Description	Cable Diameter Range		H		W		D		E		S		Weight		Mounting Holes
		In.	mm	In.	mm	In.	mm	In.	mm	In.	mm	In.	mm	Lb.	g	
CCAL1H1013-X	Cable cleat, aluminum, one-hole configuration with a cable diameter of 10 - 13 mm.	0.39 - 0.51	10 - 13	0.91	23	1.59	40	1.60	41	0.48	12	0.77	20	0.11	50	1 x M10
CCAL1H1316-X	Cable cleat, aluminum, one-hole configuration with a cable diameter of 13 - 16 mm.	0.51 - 0.63	13 - 16	1.02	26	1.72	44	1.61	41	0.48	12	0.83	21	0.13	59	1 x M10
CCAL1H1619-X	Cable cleat, aluminum, one-hole configuration with a cable diameter of 16 - 19 mm.	0.63 - 0.75	16 - 19	1.14	29	1.88	48	1.61	41	0.50	13	0.91	23	0.15	68	1 x M10
CCAL1H1923-X	Cable cleat, aluminum, one-hole configuration with a cable diameter of 19 - 23 mm.	0.75 - 0.91	19 - 23	1.26	32	2.04	52	1.61	41	0.50	13	0.99	25	0.17	77	1 x M10
CCAL1H2327-X	Cable cleat, aluminum, one-hole configuration with a cable diameter of 23 - 27 mm.	0.91 - 1.06	23 - 27	1.42	36	2.28	58	1.62	41	0.51	13	1.07	27	0.20	89	1 x M10
CCAL1H2732-X	Cable cleat, aluminum, one-hole configuration with a cable diameter of 27 - 32 mm.	1.06 - 1.26	27 - 32	1.57	40	2.44	62	1.63	41	0.53	14	1.19	30	0.24	107	1 x M10
CCAL1H3238-X	Cable cleat, aluminum, one-hole configuration with a cable diameter of 32 - 38 mm.	1.26 - 1.50	32 - 38	1.77	45	2.68	68	1.63	42	0.53	14	1.30	33	0.27	125	1 x M10
CCAL1H3846-X	Cable cleat, aluminum, one-hole configuration with a cable diameter of 38 - 46 mm.	1.50 - 1.81	38 - 46	2.01	51	2.98	76	1.64	42	0.54	14	1.45	37	0.33	149	1 x M10
CCAL1H4651-X	Cable cleat, aluminum, one-hole configuration with a cable diameter of 46 - 51 mm.	1.81 - 2.01	46 - 51	2.36	60	3.25	83	1.65	42	0.56	14	1.58	40	0.40	181	1 x M10
CCAL1H5157-X	Cable cleat, aluminum, one-hole configuration with a cable diameter of 51 - 57 mm.	2.01 - 2.24	51 - 57	2.56	65	3.49	89	1.66	42	0.57	14	1.70	43	0.44	202	1 x M10

WORLDWIDE SUBSIDIARIES AND SALES OFFICES

PANDUIT CANADA
Markham, Ontario
cs-cdn@panduit.com
Phone: 800.777.3300

PANDUIT EUROPE LTD.
London, UK
cs-emea@panduit.com
Phone: 44.20.8601.7200

PANDUIT SINGAPORE PTE. LTD.
Republic of Singapore
cs-ap@panduit.com
Phone: 65.6305.7575

PANDUIT JAPAN
Tokyo, Japan
cs-japan@panduit.com
Phone: 81.3.6863.6000

PANDUIT LATIN AMERICA
Guadalajara, Mexico
cs-la@panduit.com
Phone: 52.33.3777.6000

PANDUIT AUSTRALIA PTY. LTD.
Victoria, Australia
cs-aus@panduit.com
Phone: 61.3.9794.9020

For a copy of Panduit product warranties, log on to www.panduit.com/warranty

For more information

Visit us at www.panduit.com/cablecleat

Contact Customer Service by email: cs@panduit.com
or by phone: 800.777.3300

PANDUIT[®]

© 2019 Panduit Corp.
ALL RIGHTS RESERVED.
SSDS06--SA-ENG
8/2019