

Part number

CHC 50 G



Cover, C-TYPE series, with 2 levers, size "66.40", with loop

Product description

Product type	Cover
Series	C-TYPE
Closing type	With 2 levers
Size	Size "66.40"
Specification	With loop

Technical data

IP degree of protection	IP66
--------------------------------	------

Further technical details

Weight	150,00 g
Operating temperature range (min, max)	-40°C...+125°C

Material properties

Other materials	Lever: Stainless steel, polyamide (PA) Gasket: NBR
Colour	RAL 7040 grey
RoHs conformity	Compliant
China RoHs - EFUP	E
REACH SVHC substances	No

Approvals / Standards

Certifications	DNV, BV
UL	ECBT2
cUL	ECBT8

General ordering information

EAN13 code	8015747016643
eCl@ss 8.1	27440208
ETIM 7.0	EC002314

Packaging Information

Sub-packaging weight	0,15 kg
Sub-packaging description	Plastic bag
Sub-packaging quantity	1 Pcs
Sub-packaging EAN barcode	8015747016650

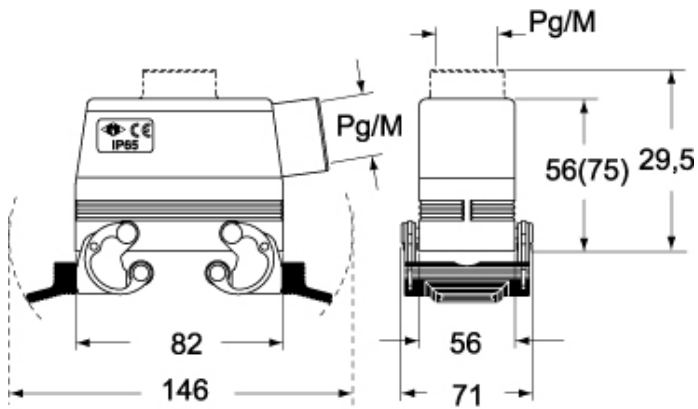
Part number

CHC 50 G

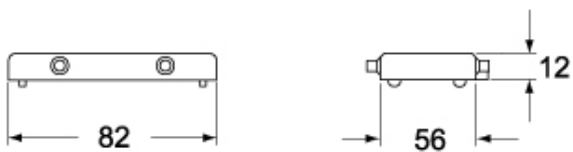


Catalogue drawings

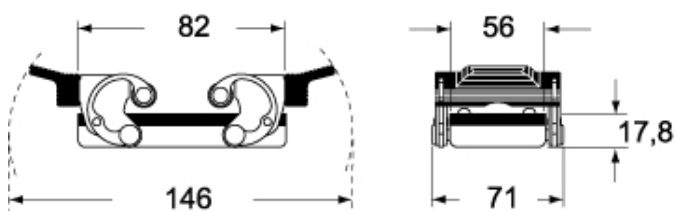
CHO X (CAO X) - CAV X
MHO X (MAO X/MFO X/MFV X) - MAV X



CHC



CHC G



Notes

Cannot be used together with metal coding pins.

Dimensions shown in mm are not binding and may be changed without notice.