



Signal tower  
Ø70mm/2.75"  
LTN70

Product designation

Product type designation

**General characteristics**

Diameter	mm - inch	70 / 2.75
Supply voltage (DC)	V	12...24
IEC degree of protection		IP65
Power consumption	VA	1

**Mechanical features**

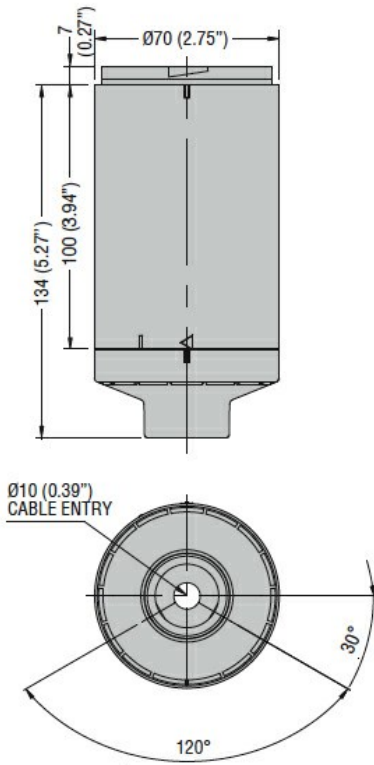
Terminals screw	Spring terminals		
Conductor section			
	AWG/Kcmil		
		min	16
		max	24
	IEC		
		min	mm <sup>2</sup> 0.25
		max	mm <sup>2</sup> 1.5

Weight	g	170
--------	---	-----

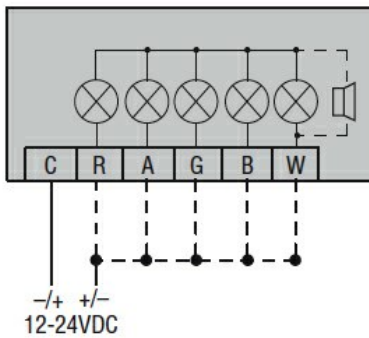
**Ambient conditions**

Temperature			
	Operating temperature		
		min	°C -30
		max	°C +50

**Dimensions**



**Wiring diagrams**



**Certifications and compliance**

**Compliance**

CSA C22.2 n° 14  
 IEC/EN/BS 60947-1  
 IEC/EN/BS 60947-5-1  
 UL508

**Certificates**

cULus

**ETIM classification**

ETIM 8.0

EC001154 -  
 Stand for signal  
 tower without  
 tube