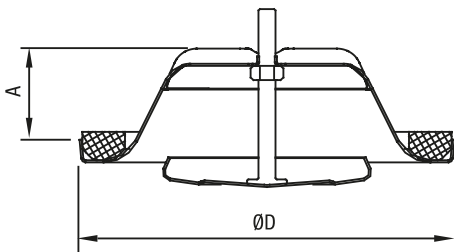
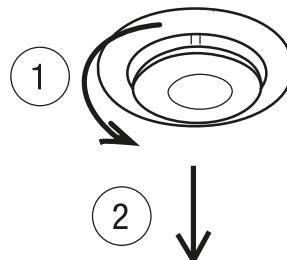
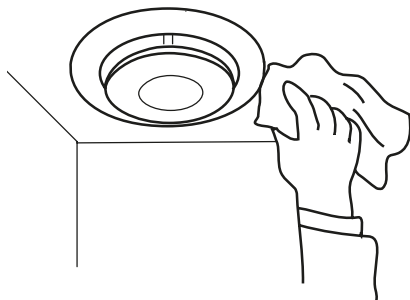


SR 143

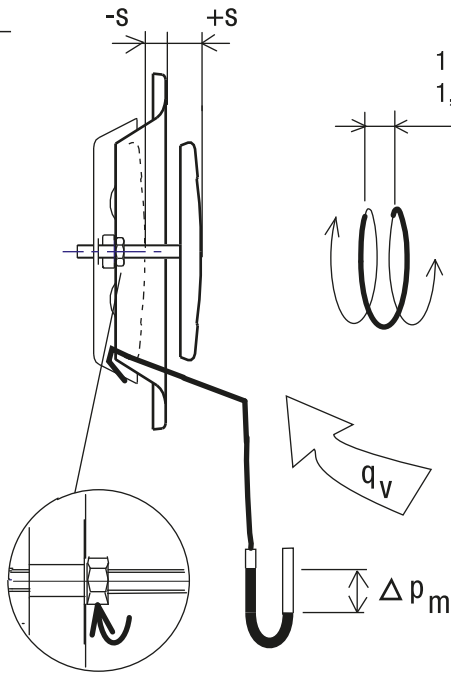
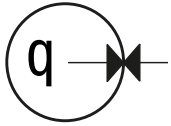
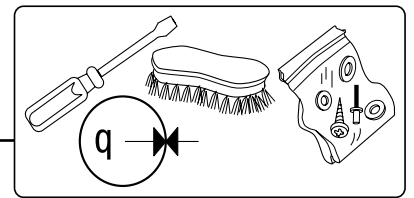
SR 143



SR 143	Ø D	A
100	132	31,5
125	162	36,5
160	193	44,0
200	245	53,5



SR 143



1 mm (100..125)
1,25 mm (160...200)

$$q = k \sqrt{\Delta p_m}$$

(l/s) (Pa)

$$q = 3.6k \sqrt{\Delta p_m}$$

(m³/h) (Pa)

