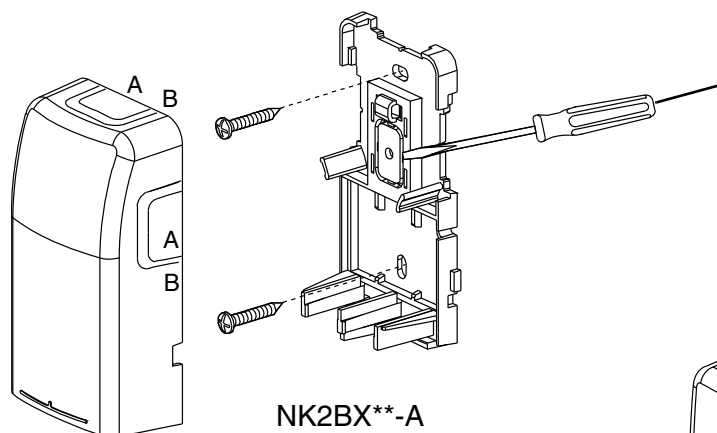
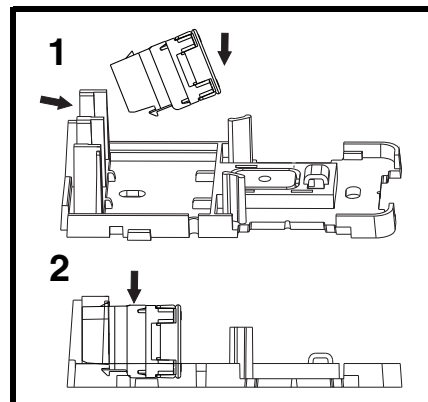




PART NO.	RACEWAY	BREAK OUT
NK2BX**-A	LDP3/LD3	A
	LDP5/LD5	B
NK4BX**-AY	LDP3/LD3	A
	LDP5/LD5	B
	LDP10/LD10	C
NK6BX**-AY	LDP3/LD3	A
	LDP5/LD5	B
	LDP10/LD10	C

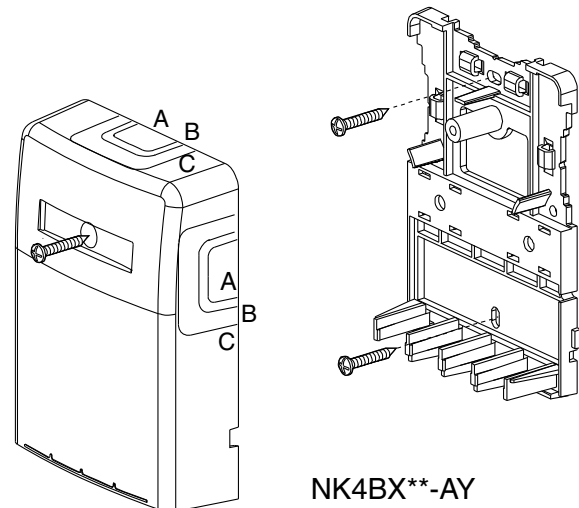


### HOW TO MOUNT THE CONNECTOR MODULES (ORDERED SEPARATELY)

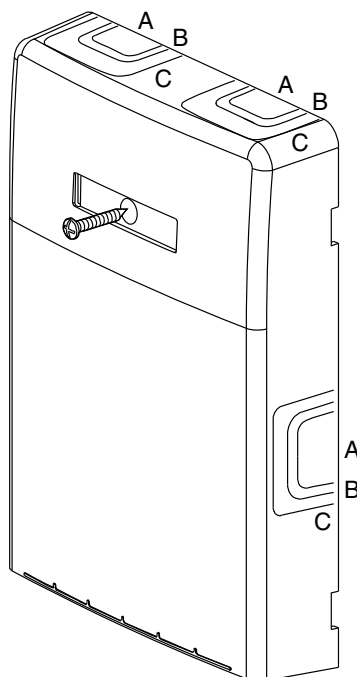


NK2BX\*\*-A

IF RUNNING CABLE THROUGH WALL, REMOVE BREAKOUT BEFORE MOUNTING TO WALL



NK4BX\*\*-AY



NK6BX\*\*-AY

\*\* Denotes color.

For Instructions in Local Languages  
and Technical Support:

[www.panduit.com/resources/install\\_maintain.asp](http://www.panduit.com/resources/install_maintain.asp)

# PANDUIT

[www.panduit.com](http://www.panduit.com)

E-mail:  
cs@panduit.com

Fax:  
866-449-1702