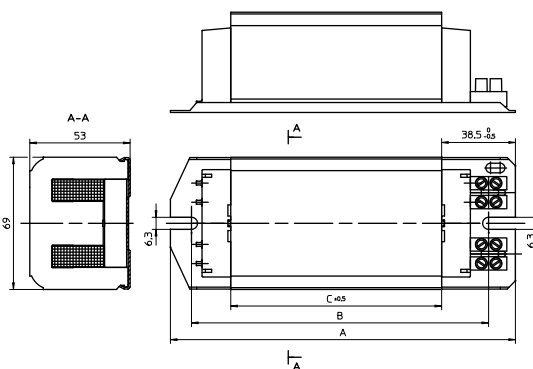
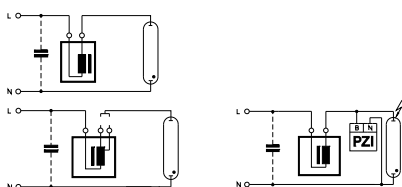
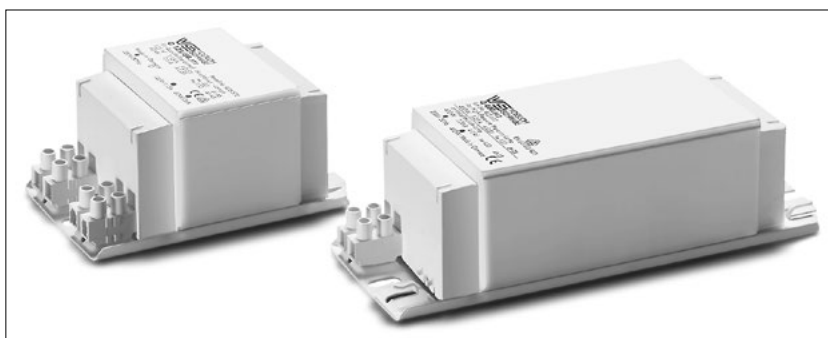


Ballasts for HM and HI Lamps 50 to 400 W

Shape: 53x69 mm

For mercury vapour lamps (HM) and
metal halide lamps (HI) with ignition voltage 1 kV
Vacuum-impregnated with polyester resin
Screw terminals: 0.5–2.5 mm²
Protection class I
tw 130



Lamp			Ballast											Capacitor	
Output W	Type	Current A	Type	Ref. No.	Voltage AC V, Hz	a mm	b mm	c mm	Weight kg	Δt K	Power factor λ	Energy efficiency	C _p μF	I _N A	
50	HM	0.61	Q 80/50.551*	570968	230, 50	112	86	31	1.00	55	0.43	EEI=A3	7	0.27	
80	HM	0.80								70	0.51	EEI=A3	8	0.41	
80	HM	0.80	Q 80.510	570965	240, 50	112	86	31	1.00	60	0.48	EEI=A3	8	0.40	
			Q 80.584	570970	220, 60	112	86	31	0.91	55	0.51	EEI=A3	7	0.43	
80	HM	0.80	Q 125/80.611*	571080	230, 50	112	86	42	1.22	50	0.49	EEI=A3	8	0.41	
125	HM	1.15								70	0.54	EEI=A3	10	0.60	
125	HM	1.15	Q 125.549	570976	220, 50	112	86	31	0.94	75	0.56	EEI=A3	10	0.63	
			Q 125.568*	570969	230, 50	112	86	36	1.10	75	0.54	EEI=A3	10	0.60	
			Q 125.512	570966	240, 50	112	86	36	1.10	75	0.51	EEI=A3	10	0.58	
			Q 125.598	570981	220, 60	112	86	31	0.94	75	0.57	EEI=A3	10	0.65	
250	HM	2.13	Q 250.513	570967**	220, 50	145	120	64	1.84	75	0.58	A2	18	1.26	
			Q 250.528	570972**	230, 50	145	120	64	1.86	75	0.56	A2	18	1.20	
			Q 250.703	570996**	240, 50	145	120	64	1.87	75	0.53	A2	18	1.15	
			Q 250.606	571003**	220, 60	145	120	64	1.75	75	0.58	A2	15	1.30	
400	HM	3.25	Q 400.616	571000**	220, 50	180	155	110	2.94	75	0.60	EEI=A3	25	2.00	
			Q 400.612	570971**	230, 50	180	155	110	3.00	75	0.56	A2	25	1.90	
			Q 400.669	570973**	240, 50	180	155	110	3.07	75	0.54	A2	25	1.85	
			Q 400.613	570998**	220, 60	180	155	94	2.54	75	0.60	A2	25	2.00	

* Ballasts without CE marking for replacements or markets outside of the EU

** Suitable for metal halide lamps (HI) with ignition voltage 1 kV in combination with pulse ignitor PZI 1000/1 K

The values contained in this data sheet can change due to technical innovations. Any such changes will be made without separate notification.