



Enclosed star-
 delta starters
 M3PA70

Product designation

Product type designation

Mechanical features

Weight g 2240

Ambient conditions

Operating temperature

min °C -25
 max °C +60

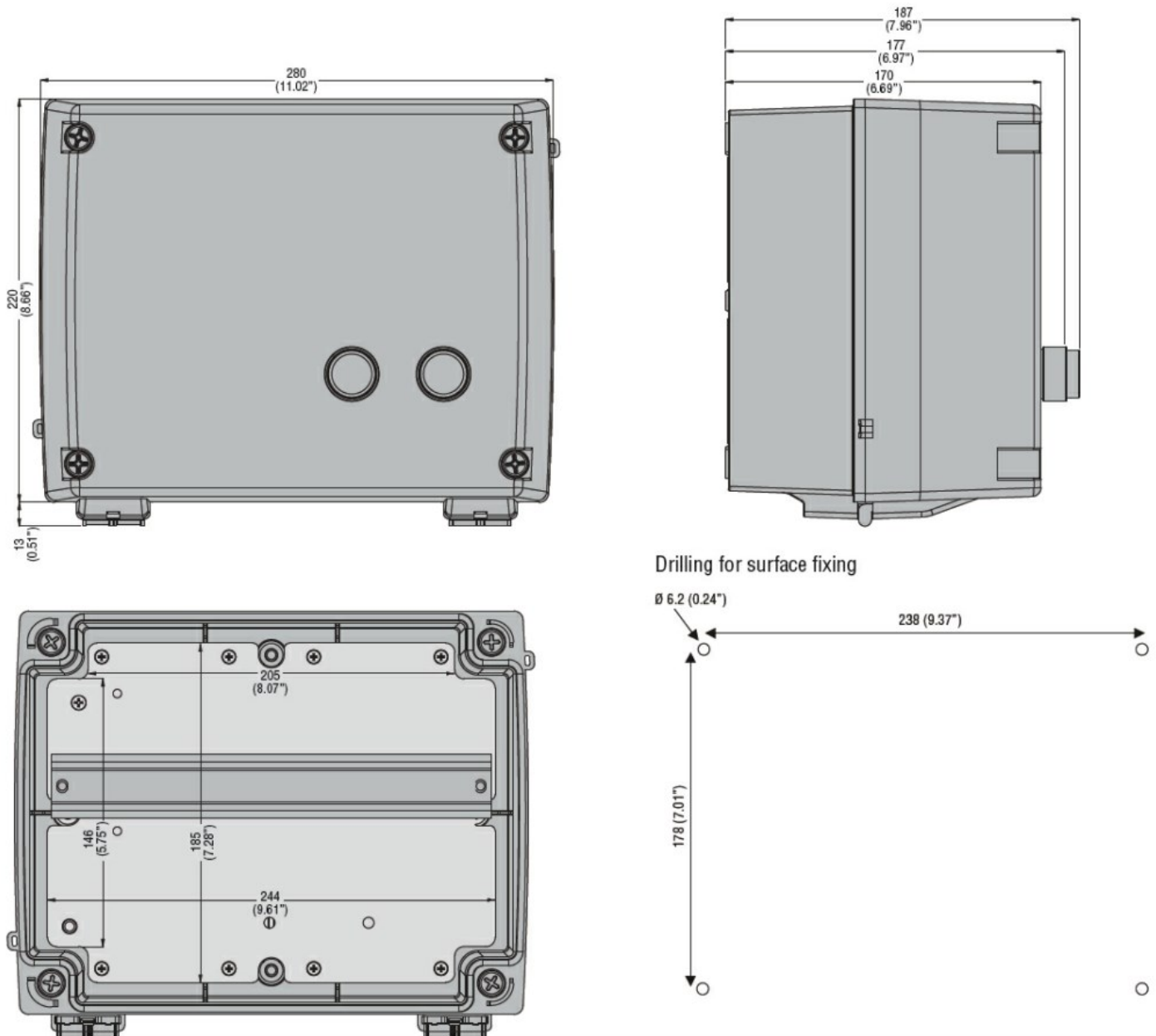
Storage temperature

min °C -40
 max °C +70

Resistance & Protection

Frontal IP degree IP65

Dimensions



Certifications and compliance

Compliance

CSA C22.2 n° 14
for starters
IEC/EN 60947-1
IEC/EN 60947-4-1
UL508

Certificates

/

ETIM classification

ETIM 8.0

EC000200 -
Enclosure for
control circuit
devices