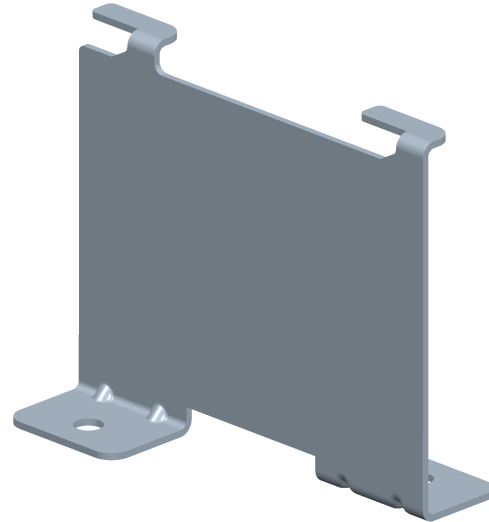
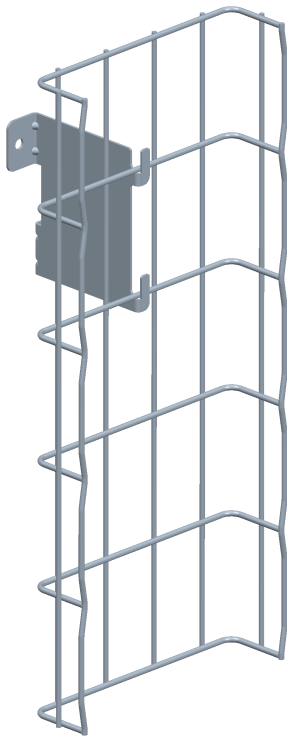
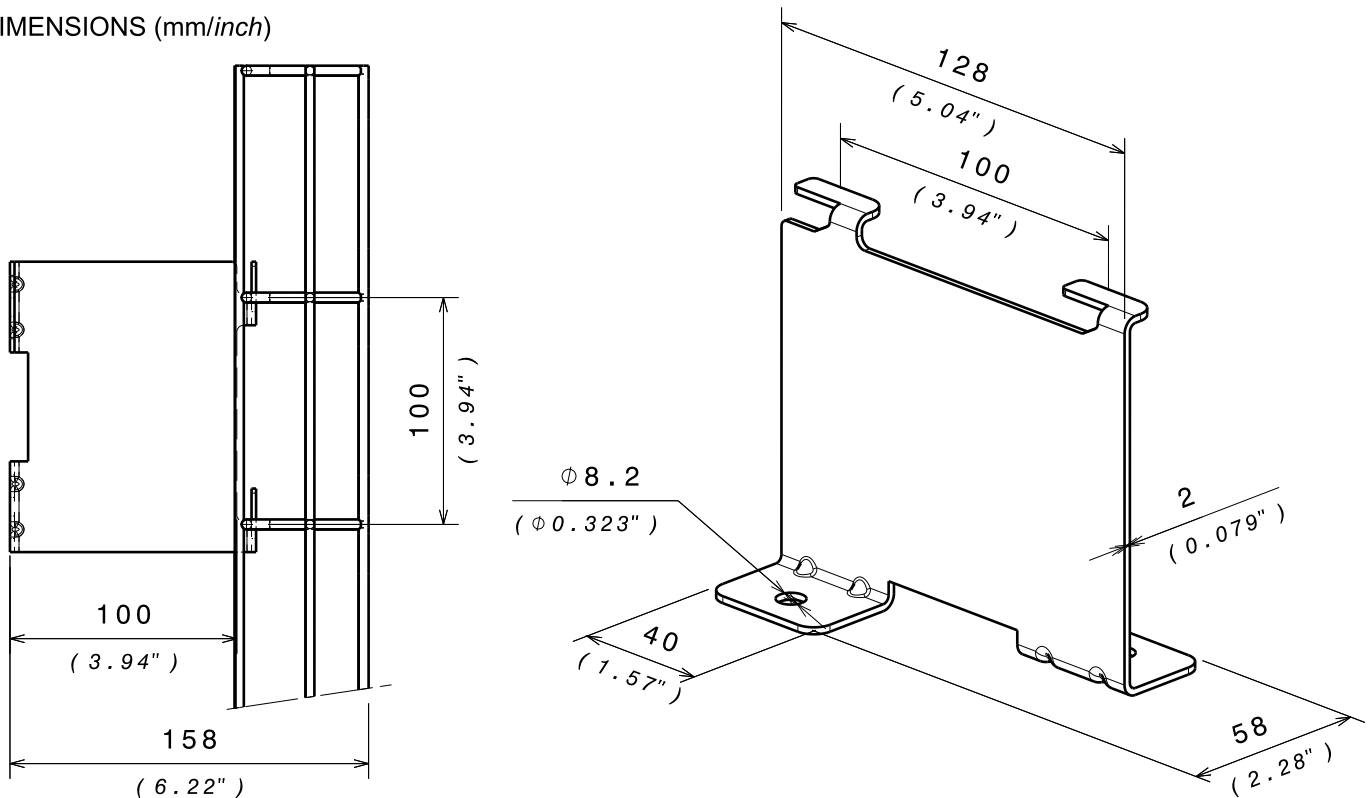


**FBV100-600 CONSOLE AGROALIMENTAIRE
FBV100-600 FOOD BRACKET**

Reference(s) : 350 586


1. GAMME / RANGE

Designation	Code	Poids / Weight (Kg) (lb)		Epaisseur / Thickness (mm) (inch)		Matière / Material	Norme / Standard	Finition / Coating	Classe de résistance contre la corrosion / Class for resistance against corrosion
FBV100-600 SS304L FOOD BRACKET	350586	0.236	0.520	2	0.079	X2 Cr Ni 18-9	EN 10 088-2	IN304L / SS304L	Class 9A / IEC 61537

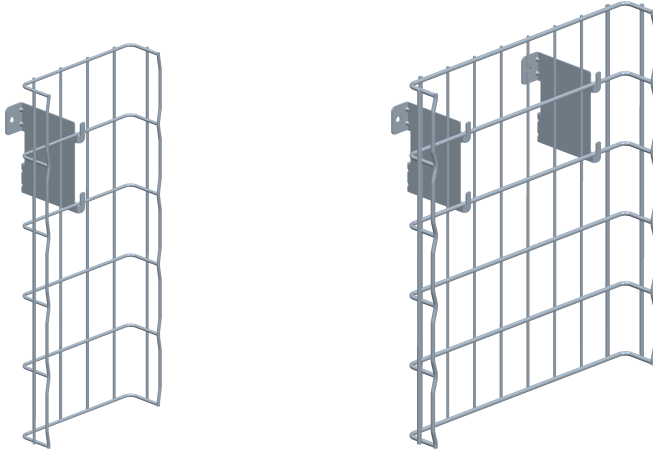
2. DIMENSIONS (mm/inch)


**CONSOLE AGROALIMENTAIRE FBV100-600
FBV100-600 FOOD BRACKET**

Reference(s) : 350 586

2. INSTALLATION / MOUNTING

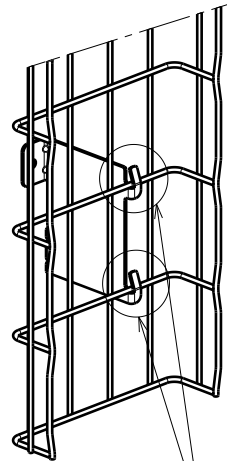

CF30 - CF54 - CF105

 Montage vertical seulement /
Vertical mounting only


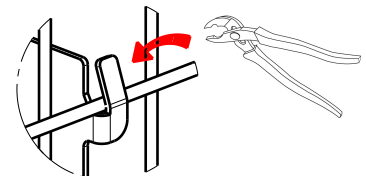
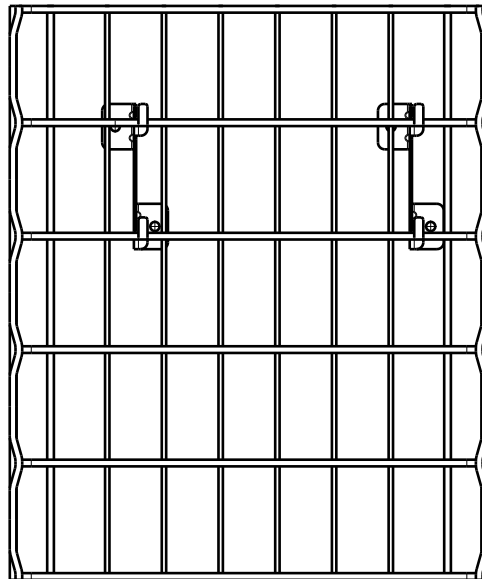
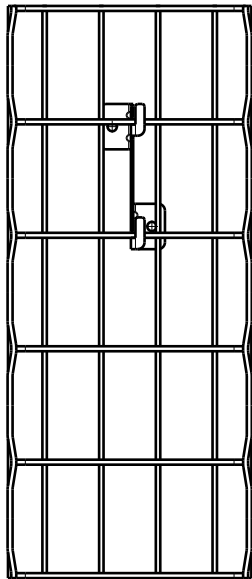
100 → 200 X1



300 → 600 X2



Verrouillage / locking


4. RECOMMANDATION / RECOMMENDATION

portée / span (m / inch)		nombre de support minimum / support number minimum						
		CF 54/50	CF 54/100	CF 54/200	CF 54/300	CF 54/400	CF 54/500	CF 54/600
1	39.4	1	1	1	2	2	2	2
1.5	59.1	1	1	1	2	2	2	2
2	78.7	1	1	1	2	2	2	2