


Part number

PEW 1663 PP



Wall-mounting socket outlet, PLUSO series, 2 poles + PE, 6 h (blue), 16 A, 200 ÷ 250 V

Product description

| | |
|-----------------------|---|
| Product type | Socket Wall-mounting |
| Series | PEW...PP, PLUSO |
| N. of poles | 2 poles +  |
| Clock position | 6 |

Technical data

| | |
|--------------------------------|-------------|
| Current | 16 A |
| Voltage | 200 ÷ 250 V |
| IP degree of protection | IP67 |

Further technical details

| | |
|---|-----------------|
| Weight | 285,00 g |
| Operating temperature range (min, max) | -25°C ... +40°C |

Material properties

| | |
|------------------------------|--|
| Colour | RAL 7035 grey, RAL 5015 blue |
| RoHs conformity | Compliant with exemption 6(c): copper alloy containing up to 4% lead by weight |
| China RoHs - EFUP | 50 |
| REACH SVHC substances | Yes Lead |
| SCIP number | Ca7de37f-add8-4b77-9861-279c94903ade |

Approvals / Standards

| | |
|---------------------------|-------------------|
| Reference standard | EN 60309-1 and -2 |
|---------------------------|-------------------|

General ordering information

| | |
|-------------------|---------------|
| EAN13 code | 8015747072618 |
|-------------------|---------------|

Packaging Information

| | |
|------------------------------|-----------------------|
| Packaging length | 330,00 mm |
| Packaging height | 175,00 mm |
| Packaging width | 295,00 mm |
| Packaging weight | 3,00 kg |
| Packaging volume | 17,04 dm ³ |
| Packaging description | Carton box |
| Packaging quantity | 10 Pcs |
| Packaging EAN code | 8015747072625 |

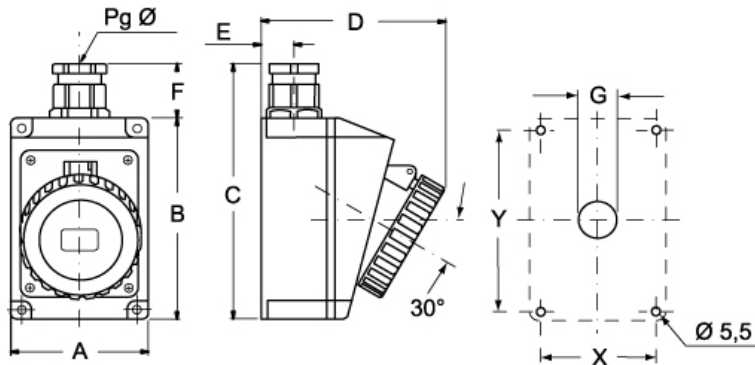
Part number

PEW 1663 PP



Catalogue drawings

(16 / 32A) PEW ... PP



| PEW ... PP | A | B | C | D | E | F | G | X | Y | Pg Ø |
|-----------------|-----|-----|-----|-----|----|----|-----|----|-----|------|
| 16A 2P+⊕ | 75 | 115 | 150 | 105 | 19 | 33 | Ø22 | 65 | 105 | 16 |
| 3P+⊕ | 75 | 115 | 150 | 108 | 19 | 33 | Ø22 | 65 | 105 | 16 |
| 3P+N+⊕ | 100 | 130 | 172 | 120 | 22 | 33 | Ø22 | 85 | 115 | 21 |
| 32A 2P+⊕ | 100 | 130 | 172 | 120 | 22 | 42 | Ø28 | 85 | 115 | 21 |
| 3P+⊕ | 100 | 130 | 172 | 120 | 22 | 42 | Ø28 | 85 | 115 | 21 |
| 3P+N+⊕ | 100 | 130 | 172 | 120 | 22 | 42 | Ø28 | 85 | 115 | 21 |

Notes

Dimensions shown in mm are not binding and may be changed without notice.

- Compliant with EN 60309-1 and -2
- Enclosure, insert and spring lid in insulating, thermoplastic, self-extinguishing material
- RAL 7035 grey enclosure, spring lid colour coded according to the operating voltage
- PE...PP types (IP44), spring lid, entry with threaded grommet (replaceable with a cable gland)
- PEW...PP types (IP67), spring lid with locking ring and gasket, entry with cable gland
- Terminals with retained screws
- 63A, 125A: with pilot contact
- Nickel-plated contacts, available on request for 16A and 32A (standard on 63A and 125A). For the code of products with nickel-plated contacts (socket holes, plug pins), add "N" to the pre-code of the corresponding standard product code; for example: PE becomes PEN and PEW becomes PEWN.
- 125A: with terminal block for the anchoring of incoming cables, already connected to socket
- IP44 and IP67 degrees of protection (EN 60529)