

1SET152001R0000 ✓ ACTIVE

ENTRELEC

TE Internal #: 1SET152001R0000

Crimp Wire Pins, Tabs & Ferrules, Pin, Tab Width 2.95 mm [.116 in],

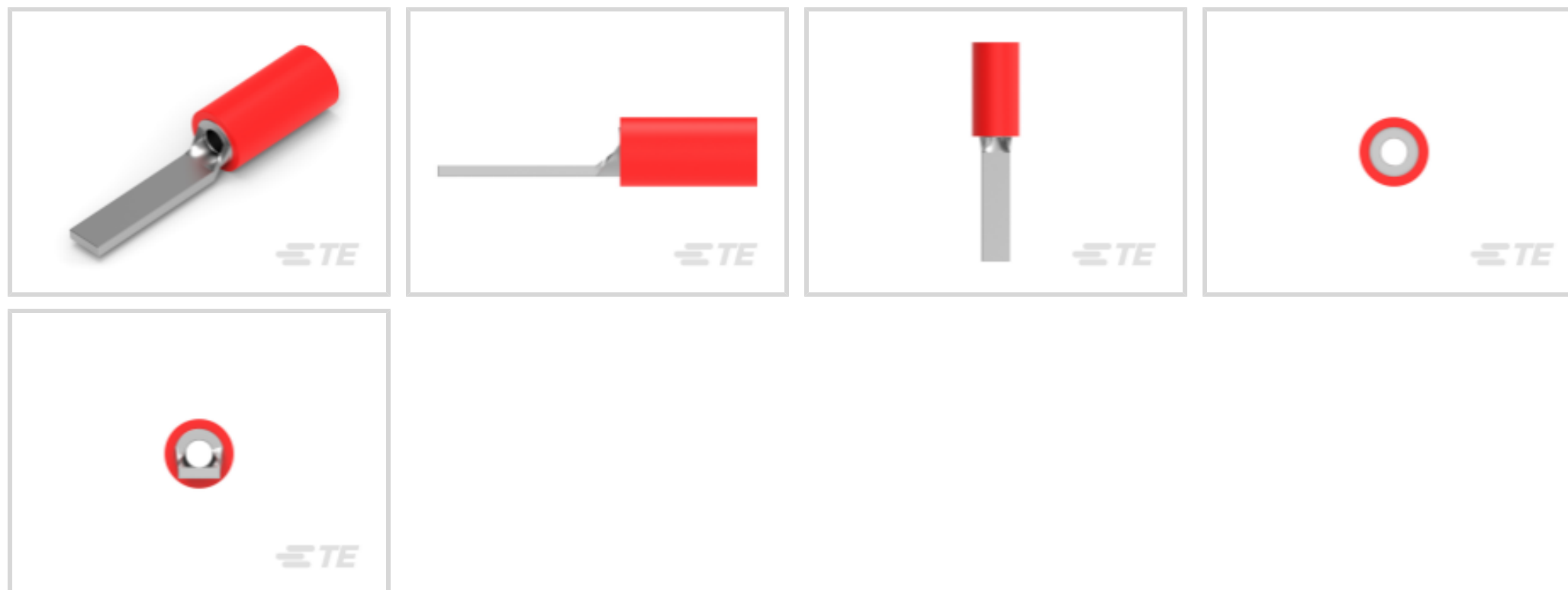
Tab Thickness .79 mm [.031 in], 22 – 16 AWG Wire Size, .26 – 1.65

mm² Wire Size

[View on TE.com >](#)



Terminals & Splices > Crimp Wire Pins, Tabs & Ferrules > Wire pins vinyl insulated



Crimp Wire Pin, Tab & Ferrule Terminal Type: Pin

Tab Width: 2.95 mm [.116 in]

Tab Thickness: .79 mm [.031 in]

Accepts Wire Insulation Diameter Range: 2.7 – 3.6 mm, 3.6 mm [.106 – .141 in, .141 in]

Wire Size: 22 – 16 AWG

[All Wire pins vinyl insulated \(8\)](#)

Features

Product Type Features

Shape Description	WIRE PIN-002
Sealable	No
Compatible With Discrete Wire Type	Stranded
Wire Insulation Support Retention Type	Insulation Support

Configuration Features

Compatible With Wire & Cable Type	Discrete Wire
-----------------------------------	---------------

Body Features

Insulation Sleeve Material	Vinyl
Double Wire	No
Insulation Color	Red
Plating Thickness	2.54 µm[99.9998 µin]
Sleeve Material	PVC

Insulation Material	PVC
---------------------	-----

Contact Features

Terminal Length	11 mm[.432 in]
-----------------	----------------

Crimp Wire Pin, Tab & Ferrule Terminal Type	Pin
---	-----

Tab Thickness	.79 mm[.031 in]
---------------	-----------------

Barrel Type	Closed
-------------	--------

Terminal Plating Material	Tin
---------------------------	-----

Terminal Orientation	Straight
----------------------	----------

Termination Features

Bullet Terminal	Without
-----------------	---------

Mechanical Attachment

Wire Insulation Support	With
-------------------------	------

Dimensions

DIN Wire Size	.5 – 1 mm ²
---------------	------------------------

Tab Width	2.95 mm[.116 in]
-----------	------------------

Accepts Wire Insulation Diameter Range	2.7 – 3.6 mm, 3.6 mm[.106 – .141 in][.141 in]
--	---

Wire Size	509 – 3260 CMA
-----------	----------------

Barrel Inside Diameter	3.68 mm[.145 in]
------------------------	------------------

Terminal Material Thickness	.8 mm[.032 in]
-----------------------------	----------------

Overall Product Length	23 mm[.9 in]
------------------------	--------------

Usage Conditions

Insulation Option	Partially Insulated
-------------------	---------------------

Operating Temperature Range	105 °C[221 °F]
-----------------------------	----------------

Operation/Application

Heavy Duty	No
------------	----

Packaging Features

Packaging Quantity	1000
--------------------	------

Packaging Method	Bag
------------------	-----

Other

Comment	Available On-Tape for Automatic Termination.
---------	--

Barrel Color	Red
--------------	-----



Product Compliance

[For compliance documentation, visit the product page on TE.com>](#)

EU RoHS Directive 2011/65/EU	Compliant
EU ELV Directive 2000/53/EC	Compliant
China RoHS 2 Directive MIIT Order No 32, 2016	No Restricted Materials Above Threshold
EU REACH Regulation (EC) No. 1907/2006	Current ECHA Candidate List: JUNE 2022 (224) Candidate List Declared Against: JUN 2020 (209) Does not contain REACH SVHC
Halogen Content	Not Yet Reviewed for halogen content
Solder Process Capability	Not reviewed for solder process capability

Product Compliance Disclaimer

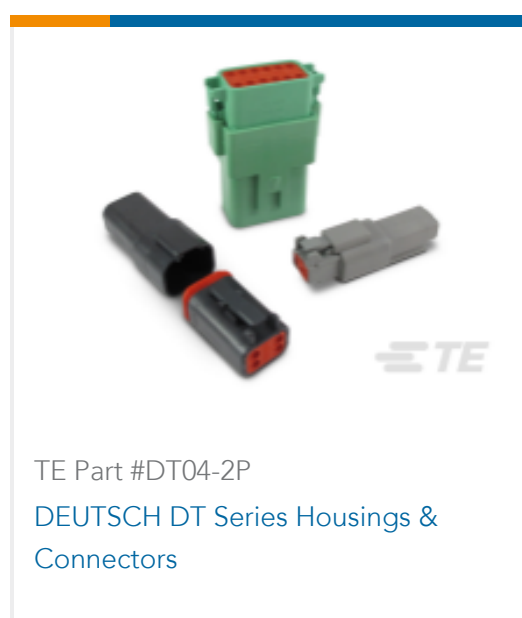
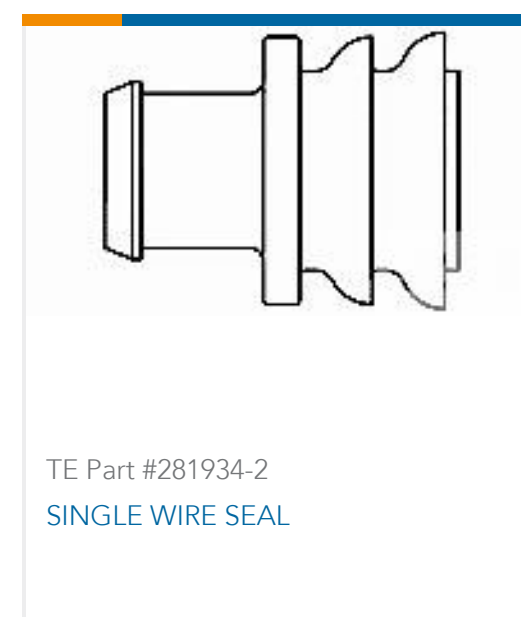
This information is provided based on reasonable inquiry of our suppliers and represents our current actual knowledge based on the information they provided. This information is subject to change. The part numbers that TE has identified as EU RoHS compliant have a maximum concentration of 0.1% by weight in homogenous materials for lead, hexavalent chromium, mercury, PBB, PBDE, DBP, BBP, DEHP, DIBP, and 0.01% for cadmium, or qualify for an exemption to these limits as defined in the Annexes of Directive 2011/65/EU (RoHS2). Finished electrical and electronic equipment products will be CE marked as required by Directive 2011/65/EU. Components may not be CE marked. Additionally, the part numbers that TE has identified as EU ELV compliant have a maximum concentration of 0.1% by weight in homogenous materials for lead, hexavalent chromium, and mercury, and 0.01% for cadmium, or qualify for an exemption to these limits as defined in the Annexes of Directive 2000/53/EC (ELV). Regarding the REACH Regulation, the information TE provides on SVHC in articles for this part number is based on the latest European Chemicals Agency (ECHA) 'Guidance on requirements for substances in articles' posted at this URL: <https://echa.europa.eu/guidance-documents/guidance-on-reach>

Compatible Parts

 <p>TE Part # 59824-1 TETRA-CRIMP PIDG PG FASTON 22-10 ASSY</p>	 <p>TE Part # 58433-3 PRO CR ASSY, RBY IS9252</p>	 <p>TE Part # 59250 T-HEAD PIDG 26-14 ASSY</p>	 <p>TE Part # 58423-1 DIE, RBY IS9252</p>
--	--	---	--



Customers Also Bought



Documents

Product Drawings

WPF015-V

English

CAD Files

3D PDF

3D

Customer View Model

ENG_CVM_CVM_1SET152001R0000_A.2d_dxf.zip



English

Customer View Model

[ENG_CVM_CVM_1SET152001R0000_A.3d_igs.zip](#)

English

Customer View Model

[ENG_CVM_CVM_1SET152001R0000_A.3d_stp.zip](#)

English

By downloading the CAD file I accept and agree to the [Terms and Conditions](#) of use.

Datasheets & Catalog Pages

[Infographic - entrelec ews-linecard](#)

English

[Data Sheet - ENTRELEC PVC Insulated Terminals and Splices](#)

English

[Data Sheet - ENTRELEC PVC Insulated Terminals and Splices](#)

French

[Data Sheet - ENTRELEC PVC Insulated Terminals and Splices](#)

German

[Data Sheet - ENTRELEC PVC Insulated Terminals and Splices](#)

[Data Sheet - ENTRELEC PVC Insulated Terminals and Splices](#)

[Data Sheet - ENTRELEC PVC Insulated Terminals and Splices](#)

[Data Sheet - ENTRELEC PVC Insulated Terminals and Splices](#)

[Data Sheet - ENTRELEC PVC Insulated Terminals and Splices](#)

[Essential Entrelec Terminal Blocks](#)

French

[Essential Entrelec Terminal Blocks](#)

English

Product Specifications

[Application Specification](#)

English

Product Environmental Compliance

[TE Material Declaration](#)

English