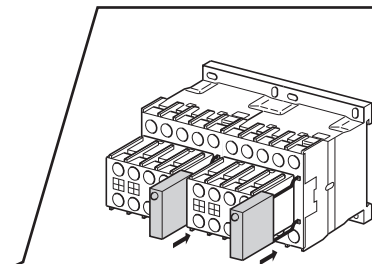


www.schneider-electric.com  
 W9 1378086 0211 A07  
 06 - 2016



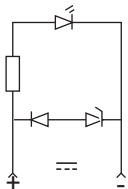
Torque 1.3 N.m (12 lb-in) max



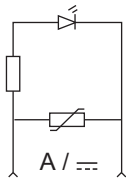
Philips N 2						Ø6			C			
mm <sup>2</sup>	mm <sup>2</sup>	mm <sup>2</sup>	mm <sup>2</sup>	mm <sup>2</sup>	mm <sup>2</sup>	mm	C N.m	L mm	Ø mm			
1 X 6,35 2 X 2,8	0,34 · · 2,5	0,34... · · 2,5 + 0,34... 1,5	0,75 · · 4	0,75... · · 4 + 0,75... 4	1,5 · · 4 + 1,5... 4	1,5... · · 4 + 1,5... 4	7	1.3	7	3		
AWG 12 = 3,31 mm <sup>2</sup> AWG 14 = 2,08 mm <sup>2</sup>			AWG 16 = 1,31 mm <sup>2</sup> AWG 18 = 0,82 mm <sup>2</sup>			AWG 20 = 0,52 mm <sup>2</sup>						

- Surge suppressor
- Limiteur de surtension
- Überspannungsbegrenzer
- Limitatore di sovratensione
- Limitador de sobretensión
- Limitador de sobretensão
- 浪涌抑制器

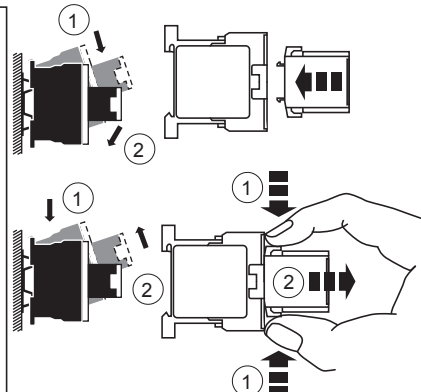
LA4 KC.



LA4 KE.



**▲▲ DANGER / 危险**  
**HAZARD OF ELECTRIC SHOCK, EXPLOSION, OR ARC FLASH**  
 Disconnect all power before servicing equipment.  
**Failure to follow these instructions will result in death or serious injury.**  
 可能有触电、爆炸或者电弧灼伤的危險。  
 在此电力设备上进行操作时，请先断开所有电源。  
 不遵守上述规定将可能导致人员伤亡。



Schneider Electric Industries SAS  
 35 Rue Joseph Monier  
 92506 Rueil Malmaison, France

3P AC TeSys K contactors are grade 2 according to GB 21518. Maximum power consumption lower than 5.0 VA.  
 根据GB 21518标准，  
 三极 TeSys K系列交流接触器能效等级为2级，  
 产品最大吸持功率低于5.0 VA

**▲ WARNING / 警告**

**RISK OF FIRE OR ELECTRIC SHOCK (FOR CONTACTOR WITH UL HI-FAULT SHORT CIRCUIT CURRENT RATINGS ONLY)**

The opening of the branch-circuit protective device may be an indication that a fault current has been interrupted.

To reduce the risk of fire or electric shock, current-carrying parts and the other components of the controller should be examined and replaced if damaged.

**Failure to follow these instructions can result in death, serious injury, or equipment damage.**

可能有火灾或者触电的危险（仅限UL高故障短路电流额定值的接触器）。  
 支路保护设备断开，表明故障电流已被中断。为降低火灾或触电风险，应检查带电部件和其它控制元件，如有损坏，需及时更换。不遵循上述规定将可能导致人员伤亡或设备损坏。

For Motor Starting Use Schneider Electric Overload Relay Series LR.  
 电动机启动请使用施耐德电气LR系列过载继电器。

