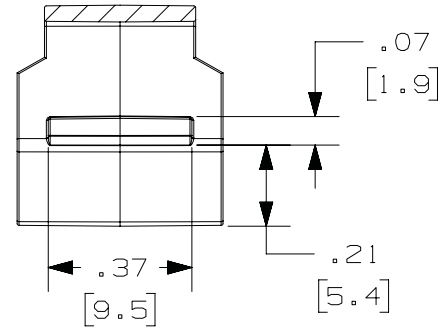
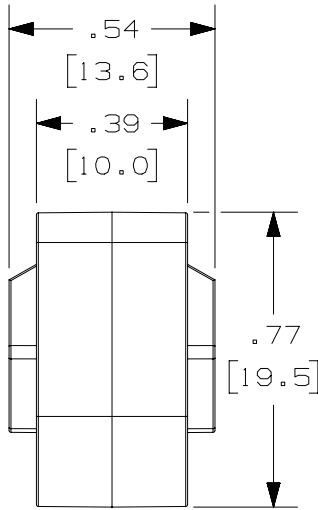
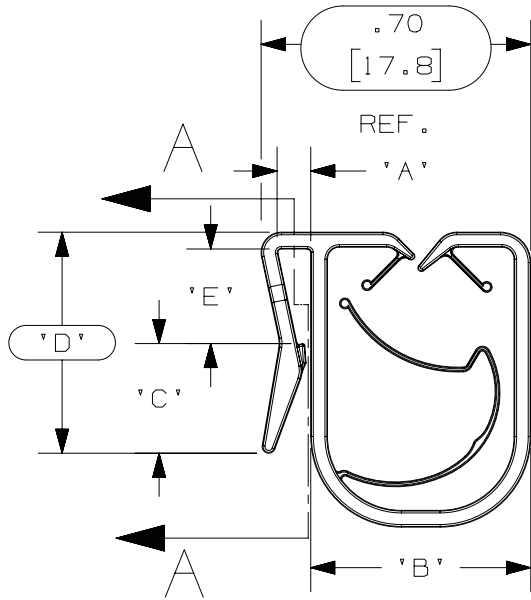


THIS COPY IS PROVIDED ON A RESTRICTED BASIS AND IS NOT TO BE USED IN ANY WAY DETRIMENTAL TO THE INTERESTS OF PANDUIT CORP.

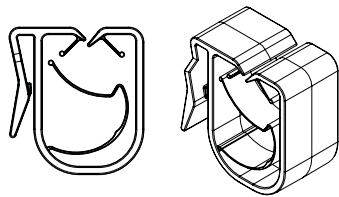
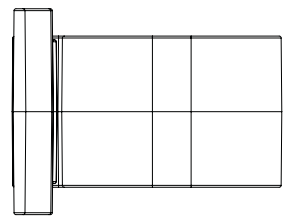
PANDUIT PART NO.	BUNDLE DIA. MIN. - MAX.	DIMENSIONS					MATERIAL	COLOR	WEIGHT GRAMS/100 PCS.
		'A'	'B'	'C'	'D'	'E'			
HCME06X12-VM139	6-12	.09 2.2	.59 15	.33 8.3	.59 15	.16 4.2	ACETAL	NATURAL	180

NOTES:

1. SEE CURRENT PRICE SHEET FOR PART NUMBER SUFFIX DESIGNATION FOR PACKAGE SIZE, AND COLOR.
2. BALLON DIMENSIONAL VARIANCE IS POSSIBLE DUE TO MOLDING PROCESS RELATED SINK MARKS.
3. APPLICATION SPECIFICATION:
PUNCHED RECTANGLE HOLE: 4.0 X 11.0 mm
PANEL THICKNESS: 1.2 - 2.2 mm



SECTION A - A



SCALE: FULL

PART NUMBER		HCME06X12	
TITLE		HARNESS CLIP FOR EDGE MOUNT	
CUSTOMER DRAWING			
ITEM REVISION NAME	10B015PM/02	PANDUIT	
DATASET FILE NAME	10B015PM_DC_GB1932BN/04		
THIRD ANGLE PROJECTION		DRAWING NUMBER	
MATERIAL		GB1932BN	
SEE TABLE	DRAWN BY		SIZE
DATE	CHK	SCALE	
JADE	JHAC	2X	A
5/28/97			
SHEET 1 OF 1			

A-SIZE CUSTOMER

REV	DATE	BY	CHK	APR	DESCRIPTION	ECN
04	3/4/2020	RVU	DJW	JHAC	REBUILD MODEL AND RECREATE CUSTOMER DRAWING.	GAECN05590
03	4/21/06	TMSA			REVISED DIMENSIONS LETTERING (MOVED UP ONE LEVEL) REMOVED 9.5 REF.	GB1932BN