

1SNA164586R1000 ✓ ACTIVE

TE Internal #: 1SNA164586R1000

TE Internal Description: BJS10-3

[View on TE.com >](#)



Product Compliance

[For compliance documentation, visit the product page on TE.com>](#)

EU RoHS Directive 2011/65/EU	Compliant with Exemptions
EU ELV Directive 2000/53/EC	Compliant with Exemptions
China RoHS 2 Directive MIIT Order No 32, 2016	Restricted Materials Above Threshold
EU REACH Regulation (EC) No. 1907/2006	Current ECHA Candidate List: JUNE 2022 (224) Candidate List Declared Against: JUNE 2022 (224) SVHC > Threshold: Pb (3.5% in Component Part) Article Safe Usage Statements: Do not eat, drink or smoke when using this product. Wash thoroughly after handling. Recycle if possible and dispose of the article by following all applicable governmental regulations relevant to your geographic location.
Halogen Content	Low Halogen - Br, Cl, F, I < 900 ppm per homogenous material. Also BFR/CFR/PVC Free
Solder Process Capability	Not reviewed for solder process capability

Product Compliance Disclaimer

This information is provided based on reasonable inquiry of our suppliers and represents our current actual knowledge based on the information they provided. This information is subject to change. The part numbers that TE has identified as EU RoHS compliant have a maximum concentration of 0.1% by weight in homogenous materials for lead, hexavalent chromium, mercury, PBB, PBDE, DBP, BBP, DEHP, DIBP, and 0.01% for cadmium, or qualify for an exemption to these limits as defined in the Annexes of Directive 2011/65/EU (RoHS2). Finished electrical and electronic equipment products will be CE marked as required by Directive 2011/65/EU. Components may not be CE marked. Additionally, the part numbers that TE has identified as EU ELV compliant have a maximum concentration of 0.1% by weight in homogenous materials for lead, hexavalent chromium, and mercury, and 0.01% for cadmium, or qualify for an exemption to these limits as defined in the Annexes of Directive 2000/53/EC (ELV). Regarding the REACH Regulation, the information TE provides on SVHC in articles for this part number is based on the latest European Chemicals Agency (ECHA) 'Guidance on requirements for substances in articles' posted at this URL: <https://echa.europa.eu/guidance-documents/guidance-on-reach>

Compatible Parts



TE Part # 1SNA115320R2700
M10/10.RS



TE Part # 1SNA163181R1100
PT101



TE Part # 1SNA206394R0200
EV6I



TE Part # 1SNA163394R2600
VSJ11

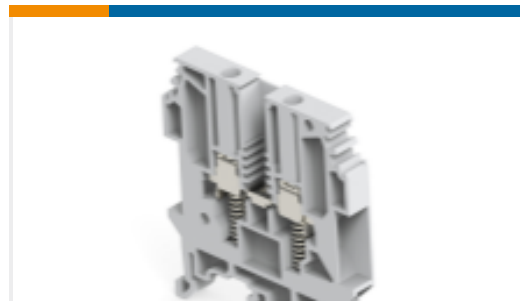
Customers Also Bought



TE Part #4-1623732-4
BCHE 7 W 5K6 5%



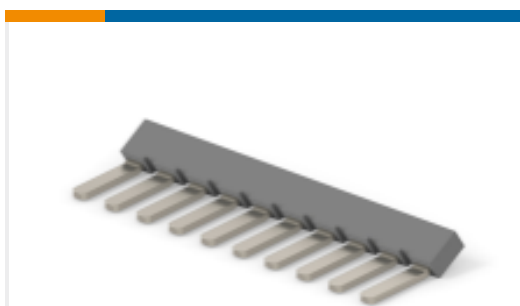
TE Part #1SNA115229R2000
M4/6.SNTS



TE Part #1SNA115930R1300
M4/6.RS



TE Part #1SNA115987R0100
M4/6.SNBT



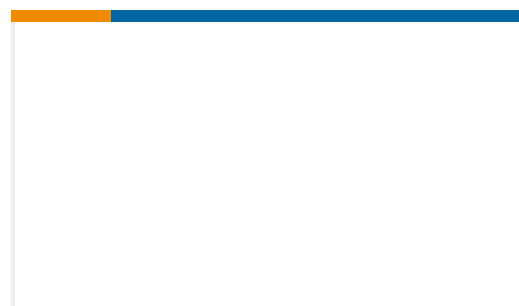
TE Part #1SNA163311R2200
PC61-10



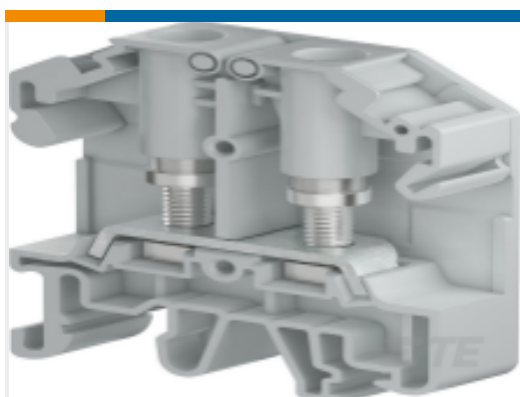
TE Part #1SNA164585R1700
BJS10-2



TE Part #1SNA176671R0000
BJMI8-4



TE Part #1SNA205772R1300
BJS27-2



TE Part #1SNA510005R0000
RGW25-M5-V0



TE Part #1SNA519005R0000
E-RGW25

Documents

Datasheets & Catalog Pages

[BJS10-3](#)

English

[ENTRELEC Terminal Block - Master Catalog](#)

English

[ENTRELEC Terminal Blocks Catalogue \(RUS\)](#)