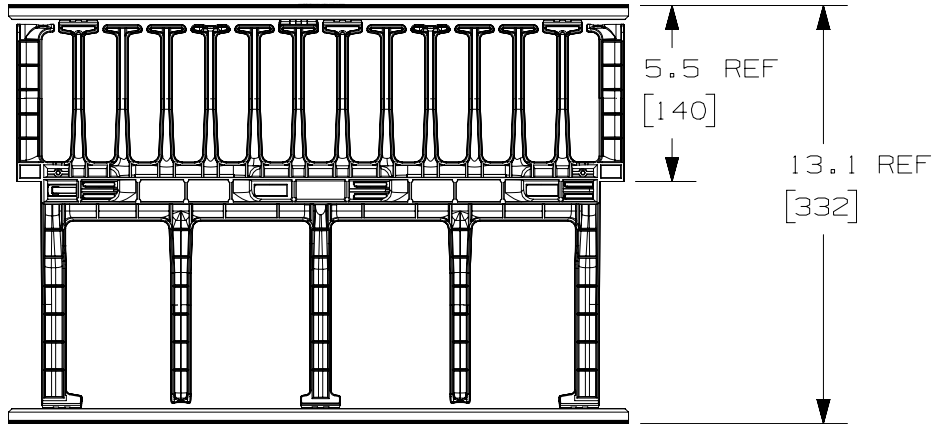
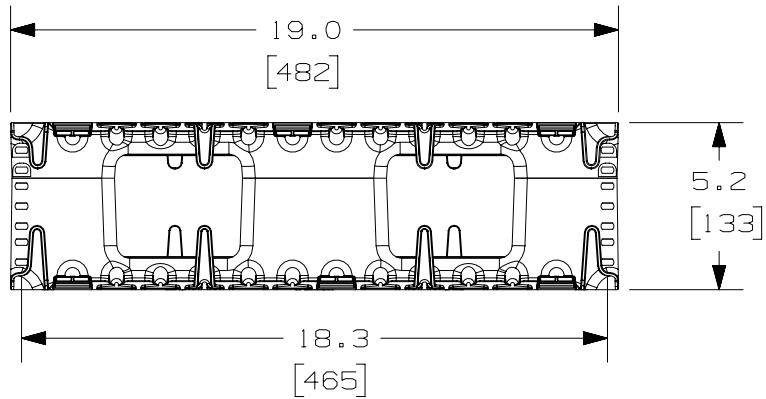


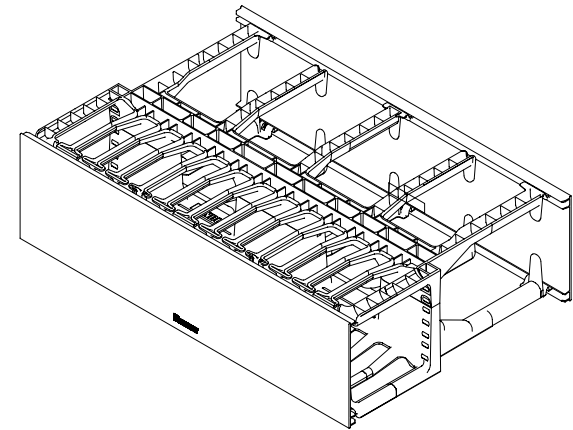
THIS COPY IS PROVIDED ON A RESTRICTED BASIS AND IS NOT TO BE USED IN ANY WAY DETRIMENTAL TO THE INTERESTS OF PANDUIT CORP.



PANDUIT P/N	WEIGHT
NM3	3.3 LBS/EACH 1497 g/EACH
NM3WH	3.3 LBS/EACH 1497 g/EACH

NOTES:

- VISIT OUR ON-LINE CATALOG AT WWW.PANDUIT.COM FOR A CURRENT LIST OF PRODUCTS APPLICABLE FOR USE WITH THIS PART.
- COMPONENTS:
1- 3RU MANAGER (FRONT AND REAR)
2- 3RU 19" COVERS
- DIMENSIONS IN PARENTHESIS ARE METRIC.



TITLE		NM3 CABLE MANAGER	
CUSTOMER DRAWING			
ITEM REVISION NAME		V10404AB/03	
DATASET FILE NAME		V10404AB_DC/03A	
UNLESS OTHERWISE SPECIFIED, DIMENSIONAL TOLERANCES ARE: IN (mm)			
DRAWING NUMBER:		10404-21	
MATERIAL:		MANAGER: ABS 3 RU COVERS: PVC	
THIRD ANGLE PROJECTION			
DRAWN BY	DATE	CHK	SCALE
BAME	3/6/07	TCK	
SHT 1 OF 1		A	

REV	DATE	BY	CHK	APR	DESCRIPTION	ECN
03A	6/28/16	BAME	RYB	KRKE	PREVIOUS REVISIONS OMITTED TITLE BLOCK UPDATED	MO9000AK

D10100DA/16