



Product designation				Changeover Switch
Product type designation				GE
Number of poles	Nr.			3
Operating voltage type				AC
Contact characteristics				
IEC Conventional free air thermal current I _{th}	A			160
Rated insulation voltage U _i IEC/EN	V			1000
Rated impulse withstand voltage U _{imp}	kV			8
Operating current I _e				
AC21A	400V	A	160	
	500V	A	160	
	690V	A	160	
AC22A	400V	A	160	
	500V	A	160	
	690V	A	125	
AC23A	400V	A	160	
	500V	A	125	
Power dissipation per pole max	W		4	
Rated operational power AC23A	400V	kW	89	
	690V	kW	76	
Rated short time current (1s) I _{cw} (rms)	kA		7	
Conditional short-circuit current (rms)	kA		100	
Short-circuit protection with fuse	Class/A	gG160		
Making capacity AC23A 400V	A	1600		
Mechanical life	cycles		30000	
Electrical life AC21A	cycles		1000 (AC23A 400V)	
Mechanical features				
Operating position	normal allowable	Vertical plan Any		
Fixing	Screw			
Terminals	type screw	Bar M8		
Tightening torque for terminals	max	Nm	13	
	max	Ibin	10	
Bar dimensions max	18x3			
Ambient conditions				

Operating temperature

min	°C	-25
max	°C	55

Storage temperature

min	°C	-40
max	°C	70

Max altitude

m 3000

Resistance & Protection

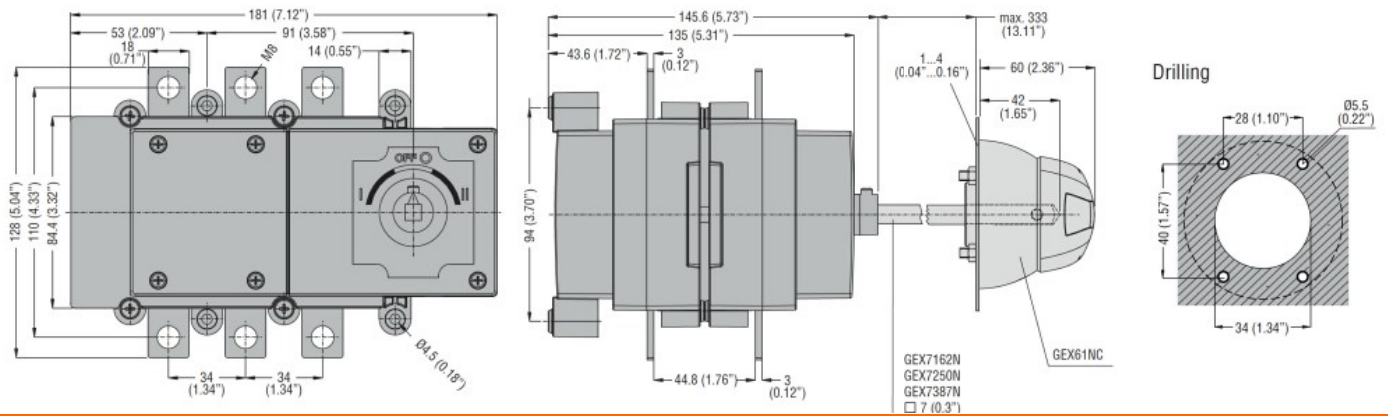
Frontal IP degree

IP20

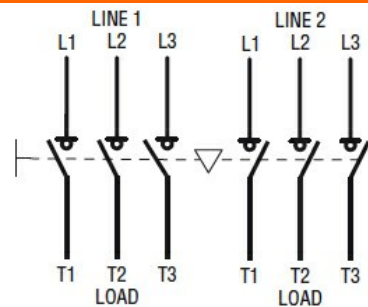
Pollution degree

3

Dimensions



Wiring diagrams



Certifications and compliance

Compliance

IEC/EN 60947-1
IEC/EN 60947-3

Certifications

EAC

ETIM classification

ETIM 8.0

EC000216 -
Switch
disconnecter