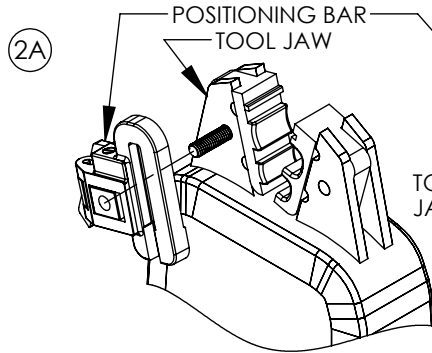
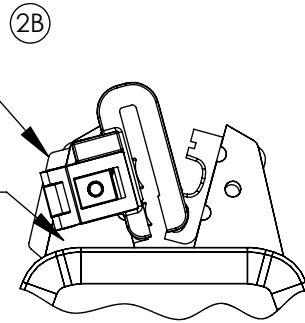


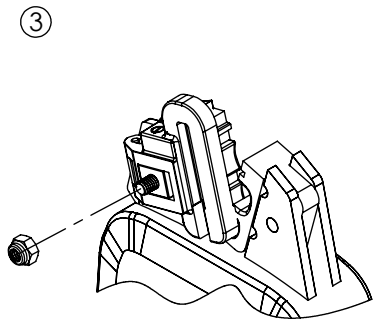
1 REMOVE SCREW HOLDING UPPER DIE HALF IN TOOL, AND REPLACE IT WITH LONG SCREW SUPPLIED WITH LOCATOR



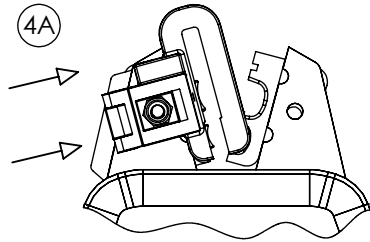
2A PLACE LOCATOR ON SCREW AS SHOWN



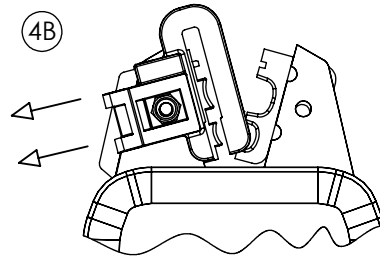
2B ALIGN EDGE OF POSITIONING BAR WITH TOOL JAW



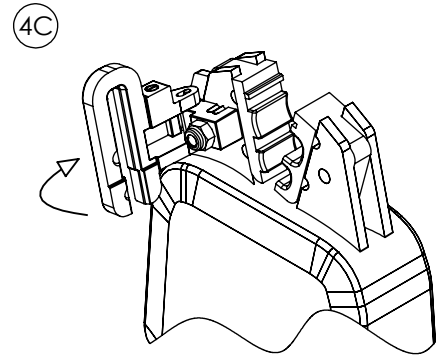
3 SECURE LOCATOR WITH SUPPLIED LOCKING HEX NUT TO TOOL JAW



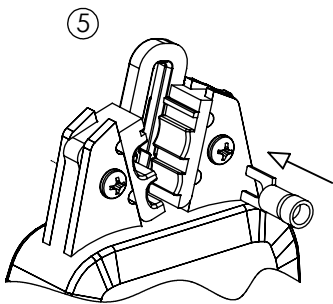
4A POSITION A: INTENDED FOR DISCONNECTS  
SLIDE LOCATOR AS SHOWN



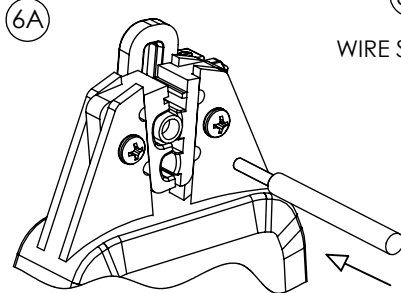
4B POSITION B: INTENDED FOR RINGS/FORKS  
SLIDE LOCATOR AS SHOWN



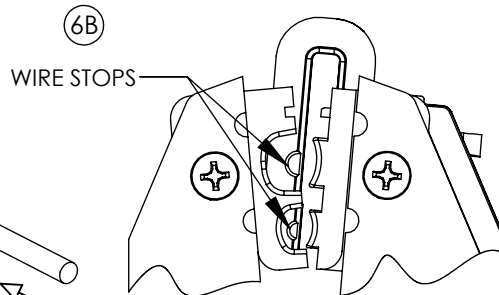
4C POSITION C: SWING LOCATOR OUT OF WAY SO SPLICES & WIRE JOINTS CAN BE CRIMPED IN TOOL  
**LOCATOR MUST BE IN POSITION SHOWN IN 4A TO BE PIVOTED. DO NOT ATTEMPT TO PIVOT LOCATOR IN POSITION 4B!**



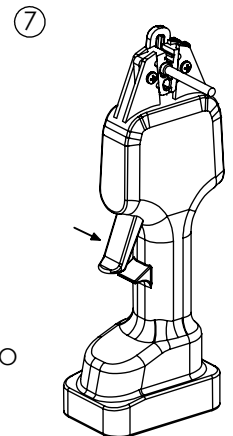
5 PLACE CONNECTOR IN CRIMP DIE, MATCHING COLOR DOT ON DIE POCKET WITH COLOR OF CONNECTOR INSULATION



6A PLACE CONNECTOR AGAINST LOCATOR AND SQUEEZE TRIGGER 1/2 WAY TO MANUALLY HOLD CONNECTOR IN CRIMP DIE. DO NOT PUSH CONNECTOR TOO HARD AGAINST LOCATOR. INSERT WIRE INTO CONNECTOR.



6B LOCATOR INCLUDES WIRE STOPS FOR PROPER INSERTION OF WIRE INTO CONNECTOR



7 DEPRESS TRIGGER COMPLETELY TO ACTIVATE POWERED, CONTROLLED-CYCLE CRIMP

**NOTE: LOCATOR COMES FROM FACTORY PROPERLY ASSEMBLED. DO NOT MAKE ANY ADJUSTMENTS TO THE POSITION OF THE SET SCREW**

For Instructions in Local Languages  
and Technical Support:

[www.panduit.com/resources/install\\_maintain.asp](http://www.panduit.com/resources/install_maintain.asp)

# PANDUIT

[www.panduit.com](http://www.panduit.com)

E-mail:  
[cs@panduit.com](mailto:cs@panduit.com)

Fax:  
708-444-6993