

Part number

TM 1456 TB



Modular back plate for socket outlets set mounting, TM series

Product description	
Product type	Modular back plate for socket outlets set mounting
Series	TM
Size	145 x 565 x 18 mm
Further technical details	
Weight	520,00 g
Operating temperature range (min, max)	-25°C ... +40°C
IK rating (impact degree of protection)	IK10

Material properties	
Colour	RAL 7012 grey
General ordering information	
EAN13 code	8015747089463
Packaging Information	
Packaging length	310,00 mm
Packaging height	120,00 mm
Packaging width	585,00 mm
Packaging weight	5,20 kg
Packaging volume	21,76 dm ³
Packaging description	Carton box
Packaging quantity	10 Pcs
Packaging EAN code	8015747089470
Sub-packaging weight	0,52 kg
Sub-packaging description	Plastic packaging
Sub-packaging quantity	1 Pcs
Sub-packaging EAN barcode	8015747089487

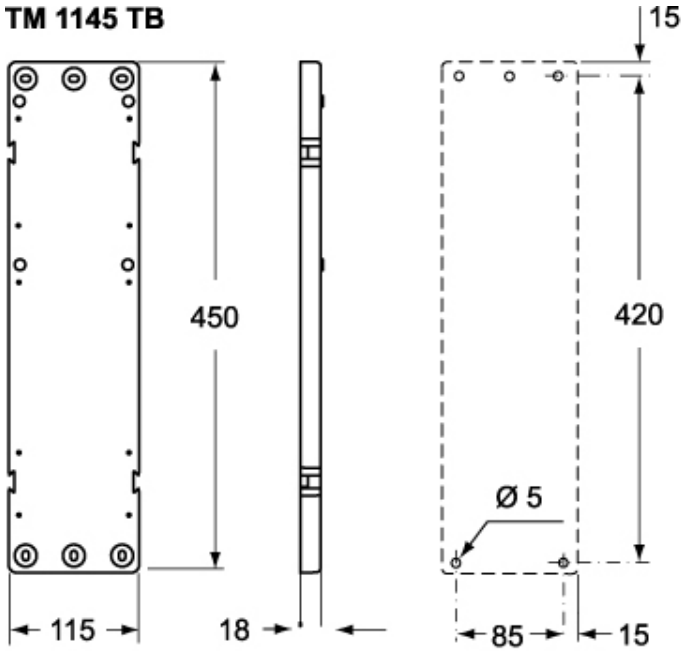
Part number

TM 1456 TB

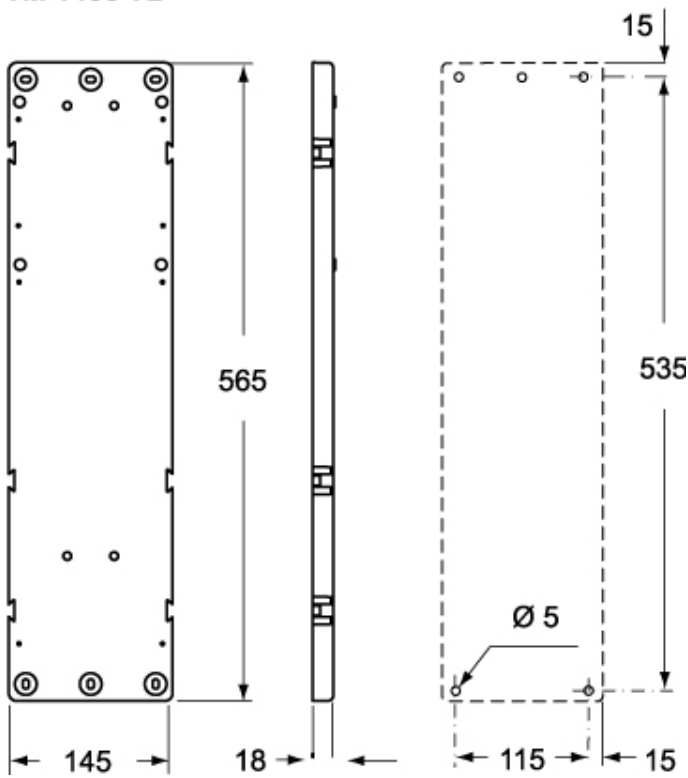


Catalogue drawings

TM 1145 TB



TM 1456 TB



Notes

Dimensions shown in mm are not binding and may be changed without notice.
