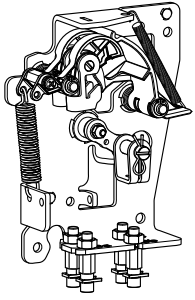
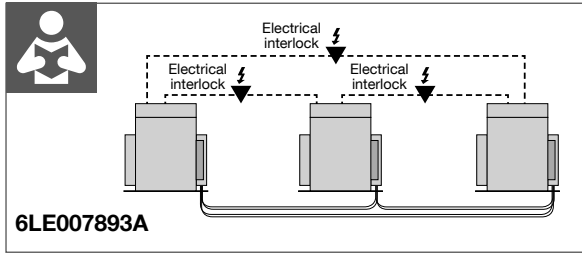
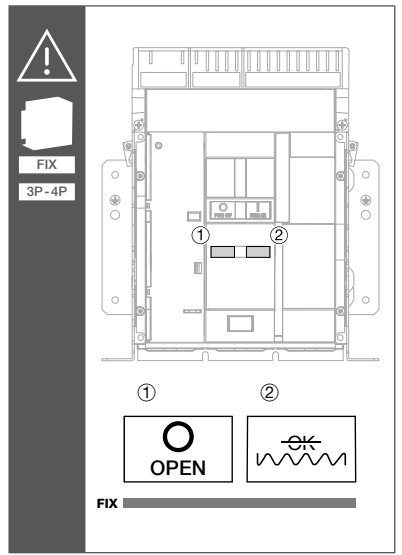
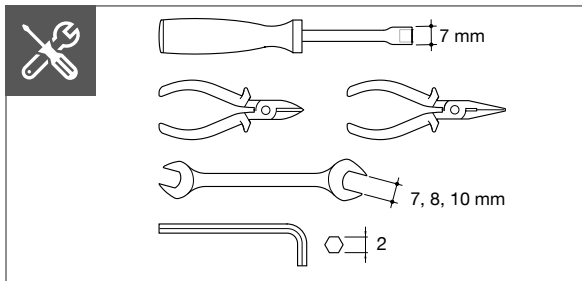


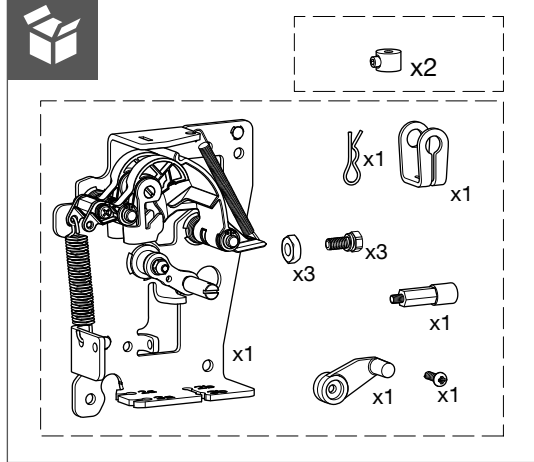
6LE008127Aa - OCOM 144185



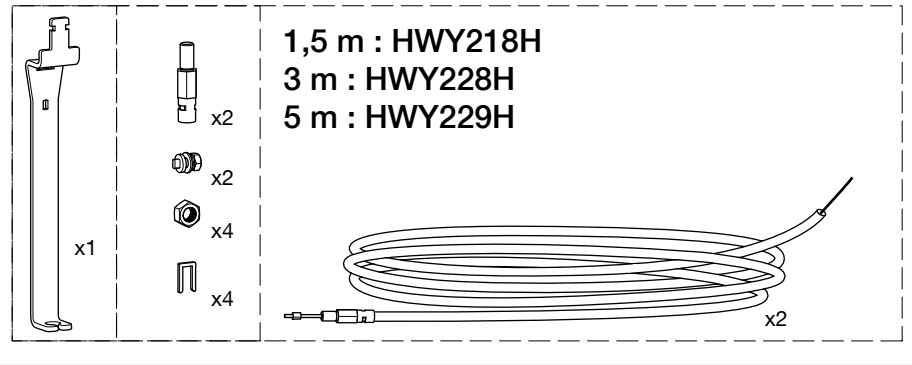
HWY234H



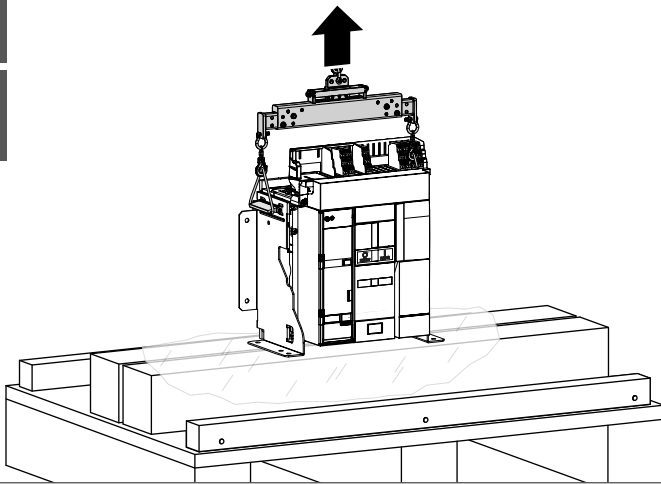
6LE007893A



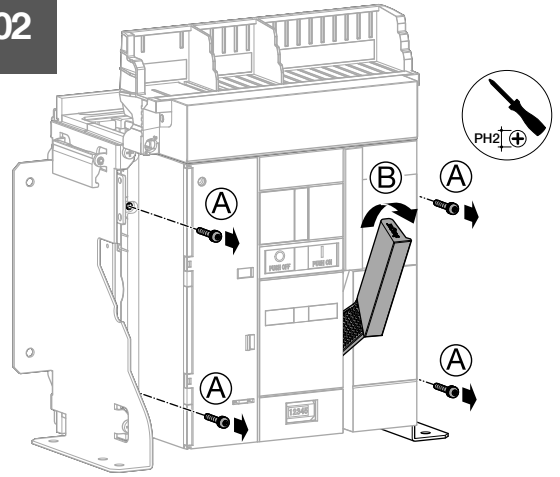
3S : 3x - 3Sx : 2x



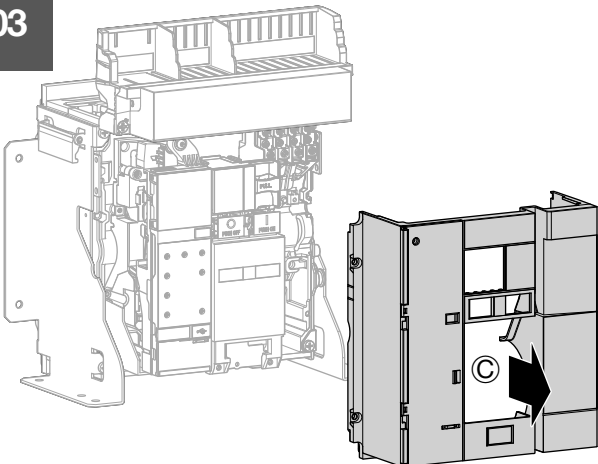
01



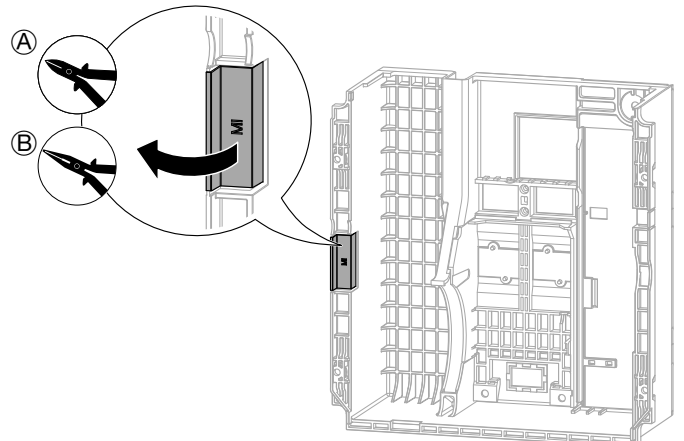
02

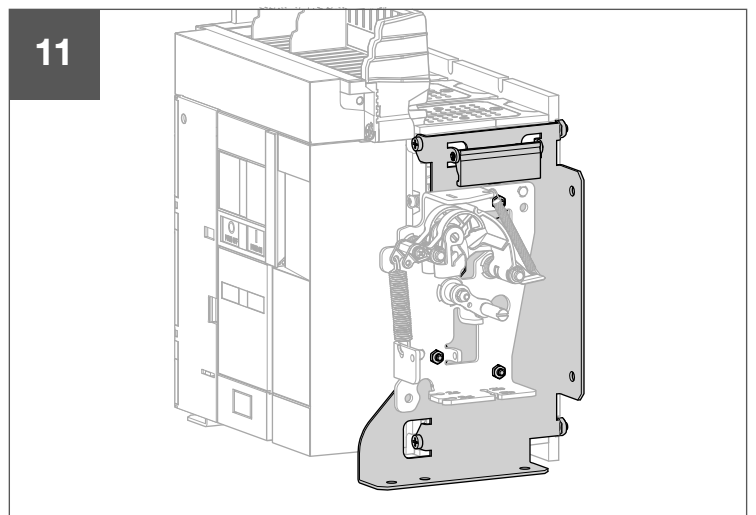
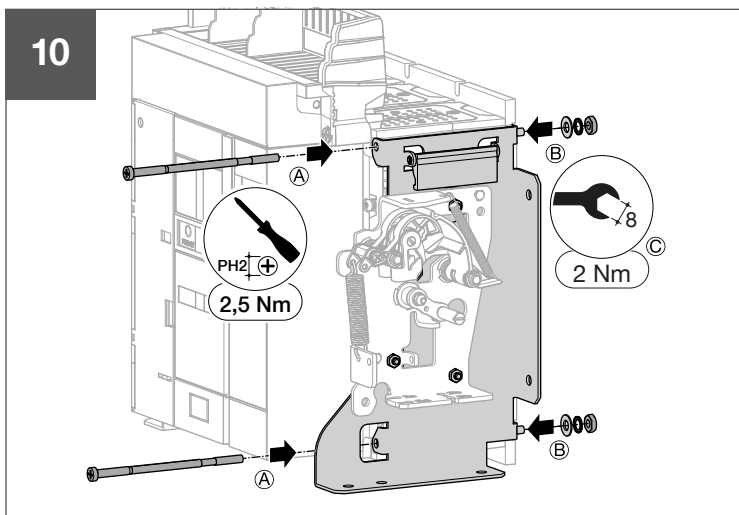
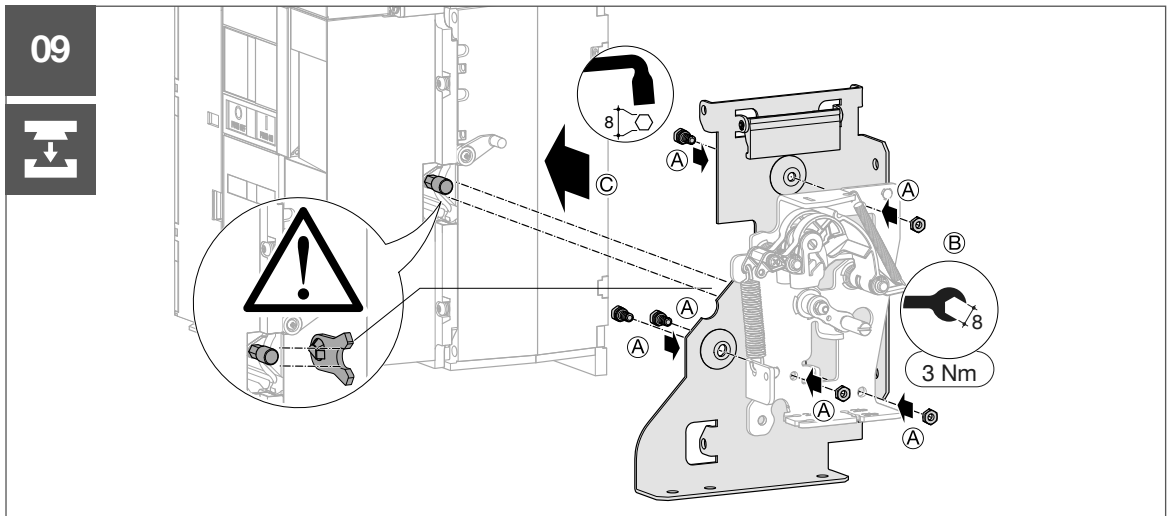
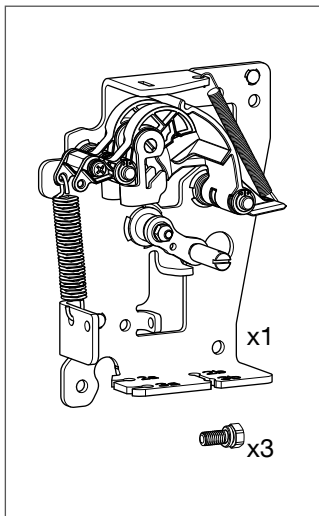
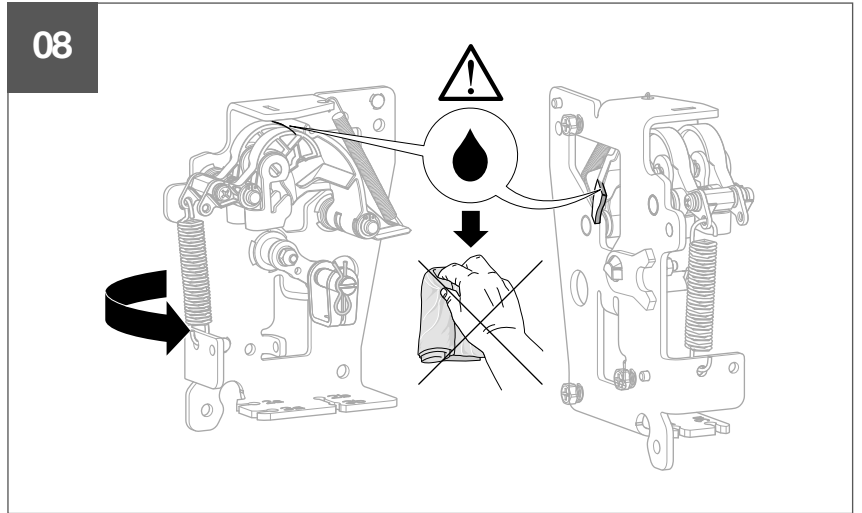
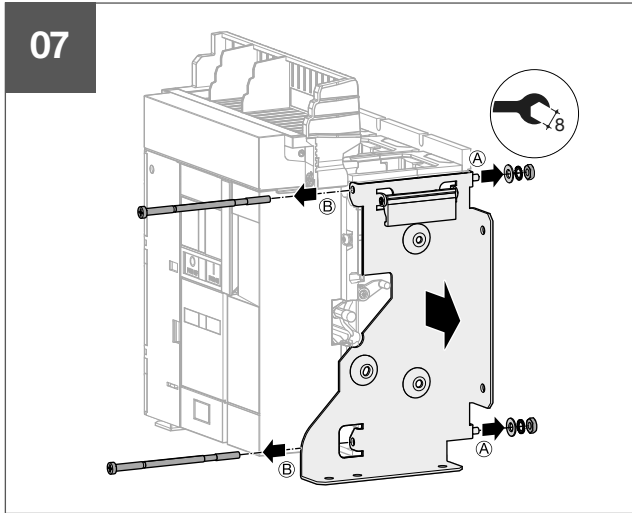
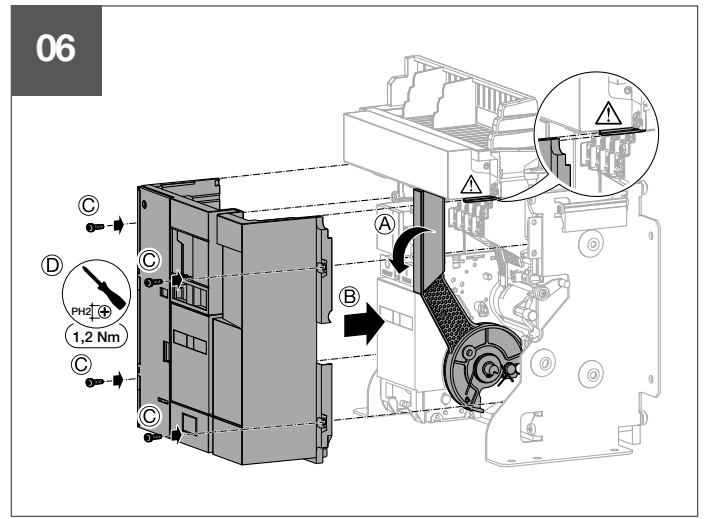
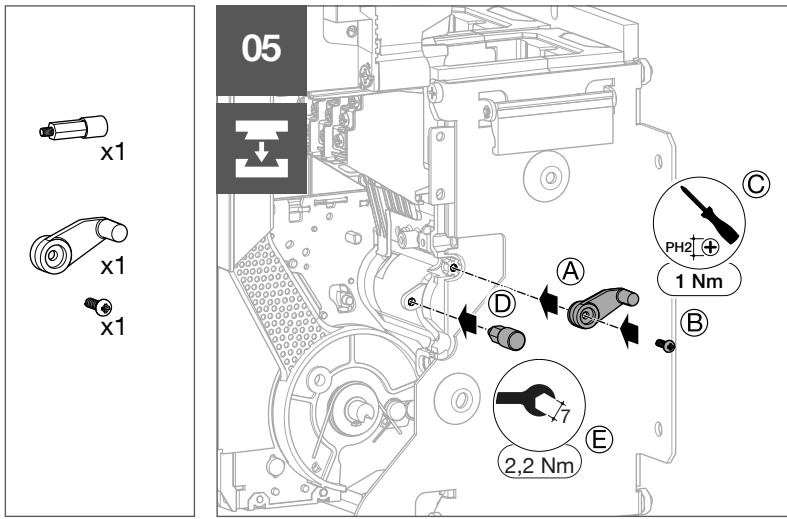


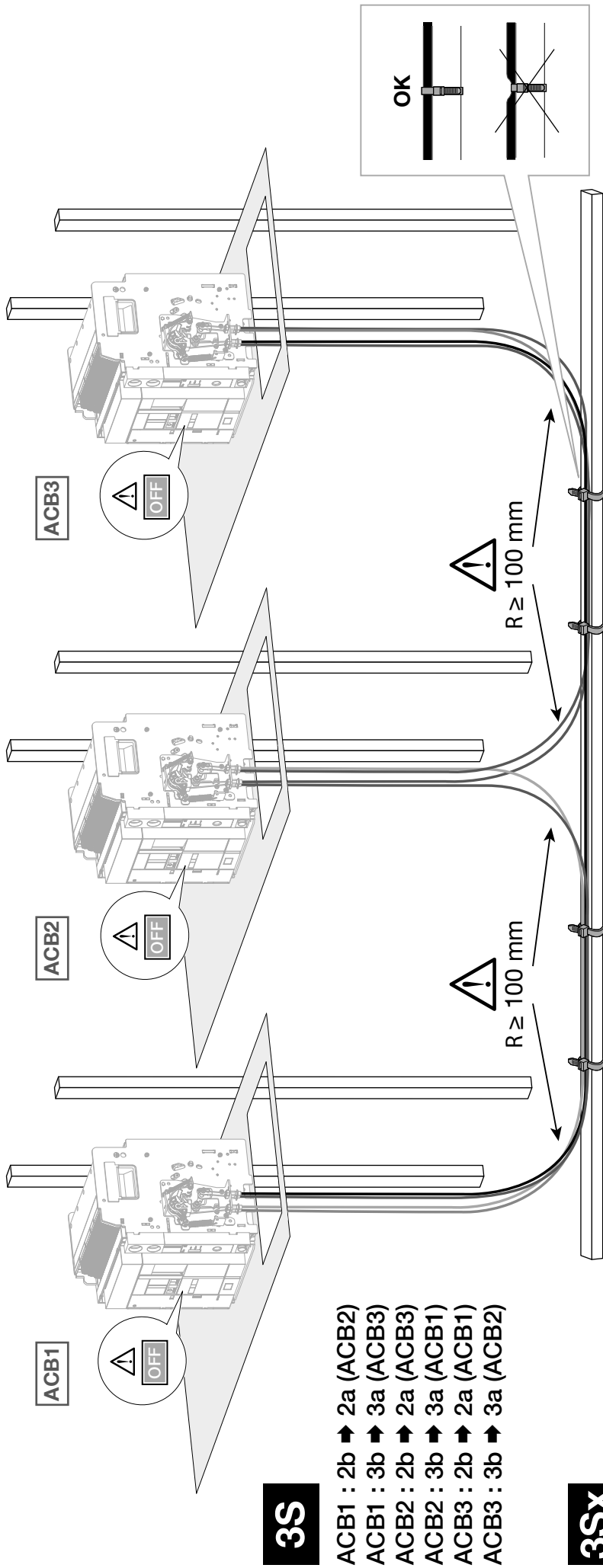
03



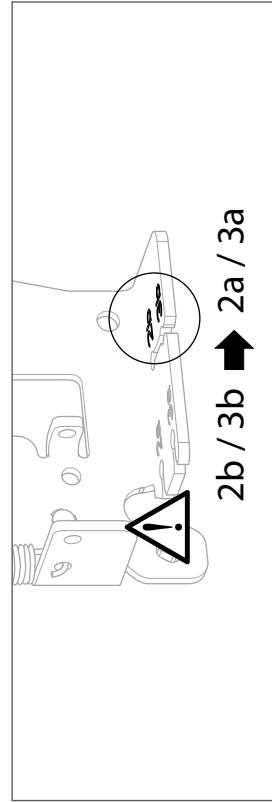
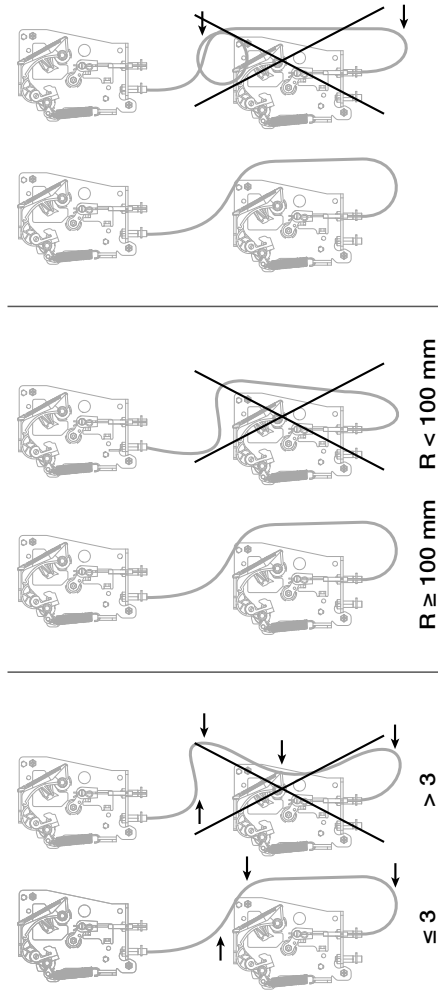
04

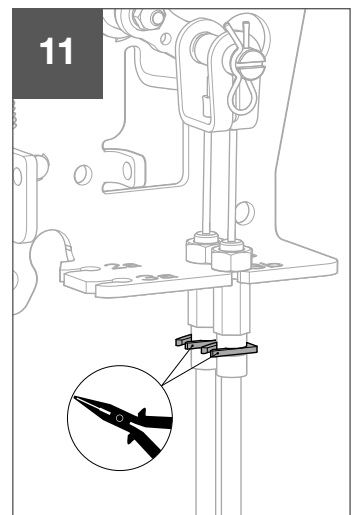
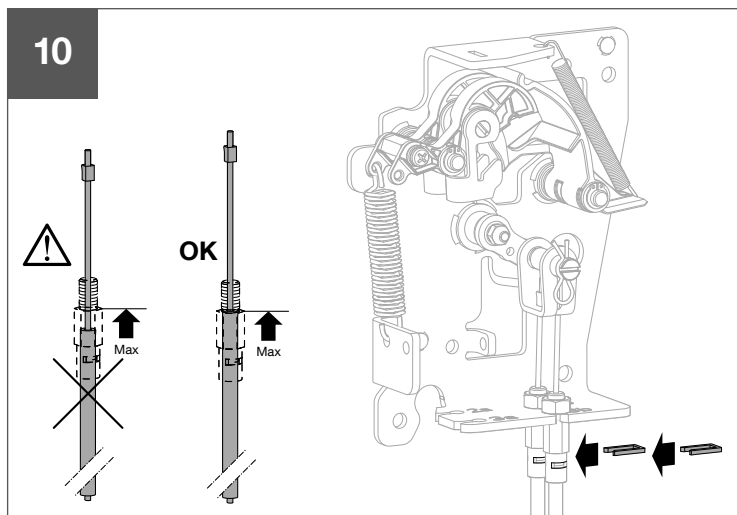
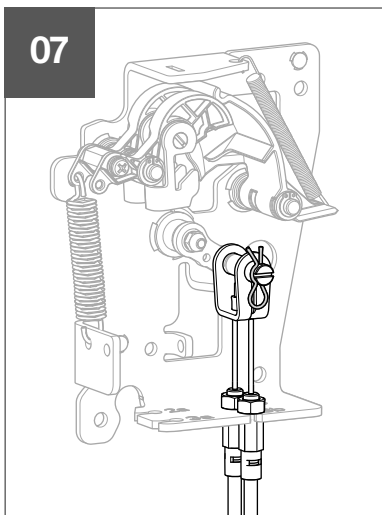
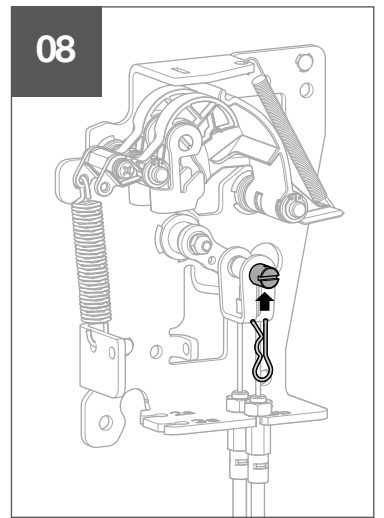
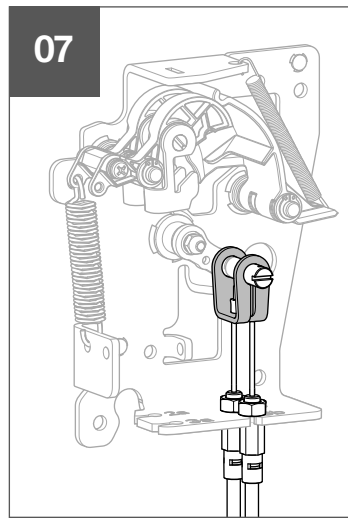
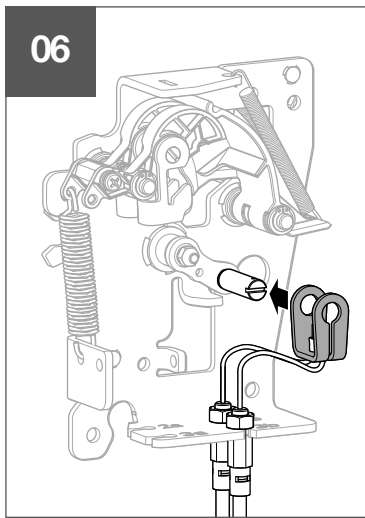
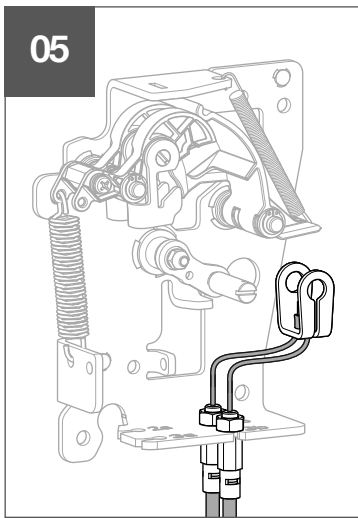
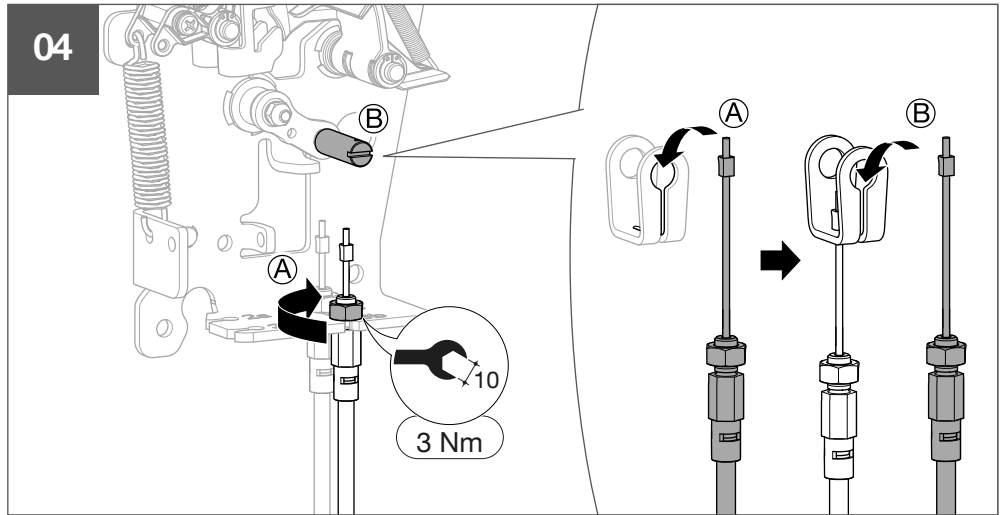
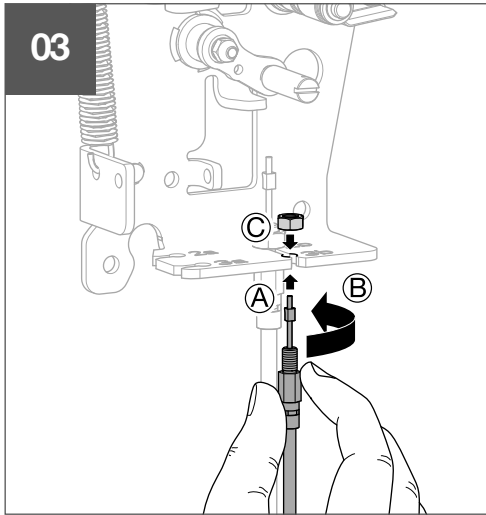
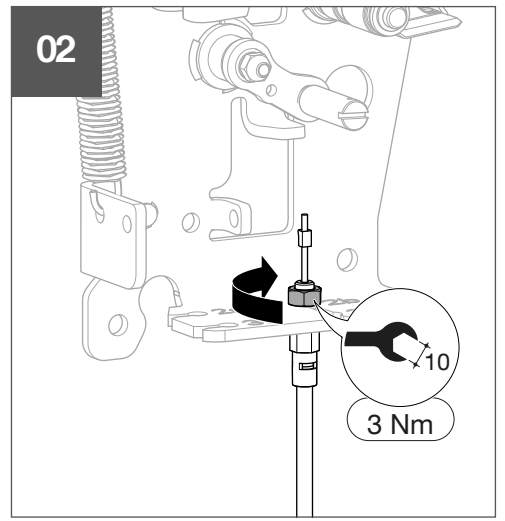
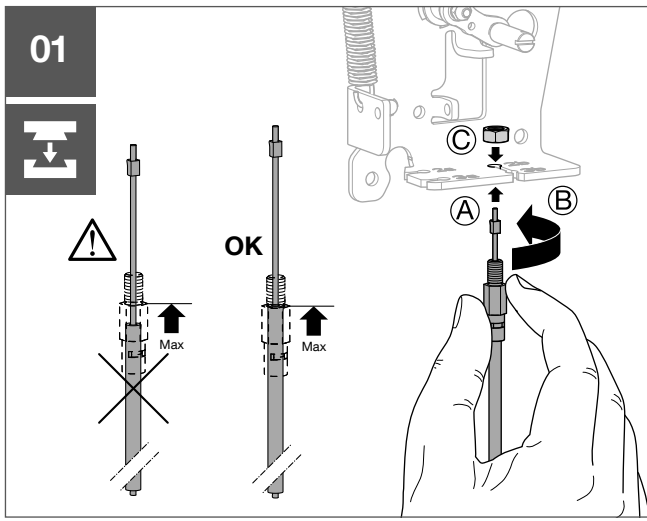
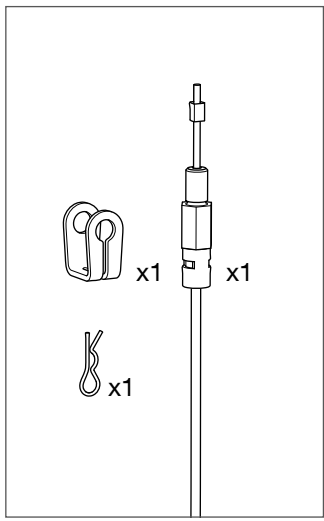


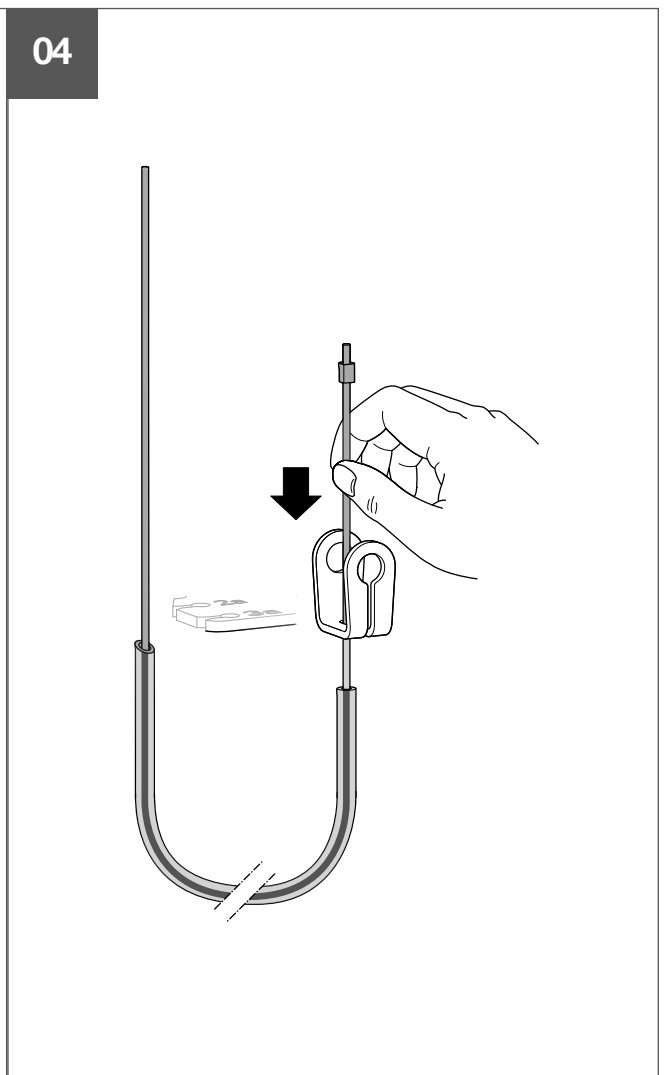
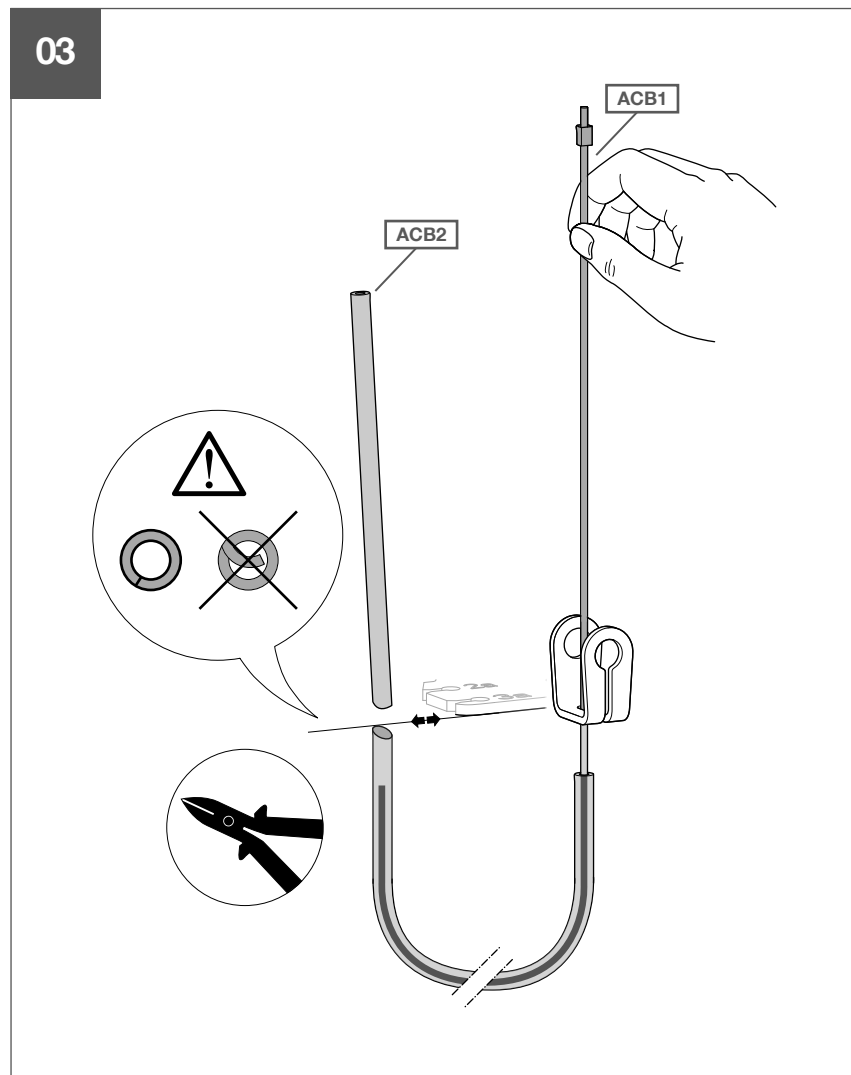
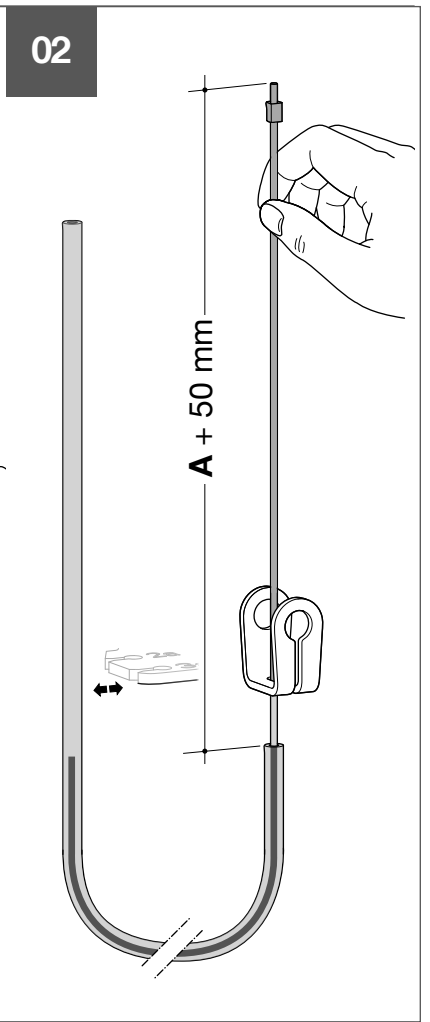
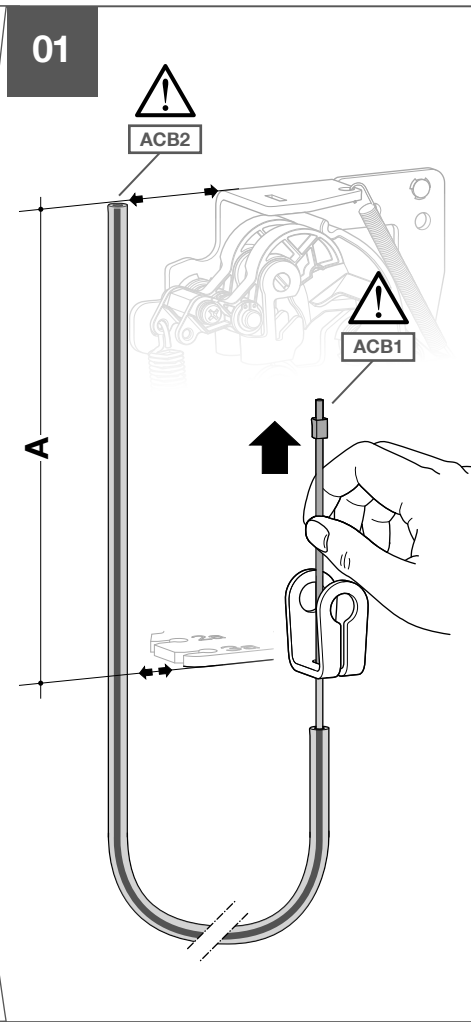
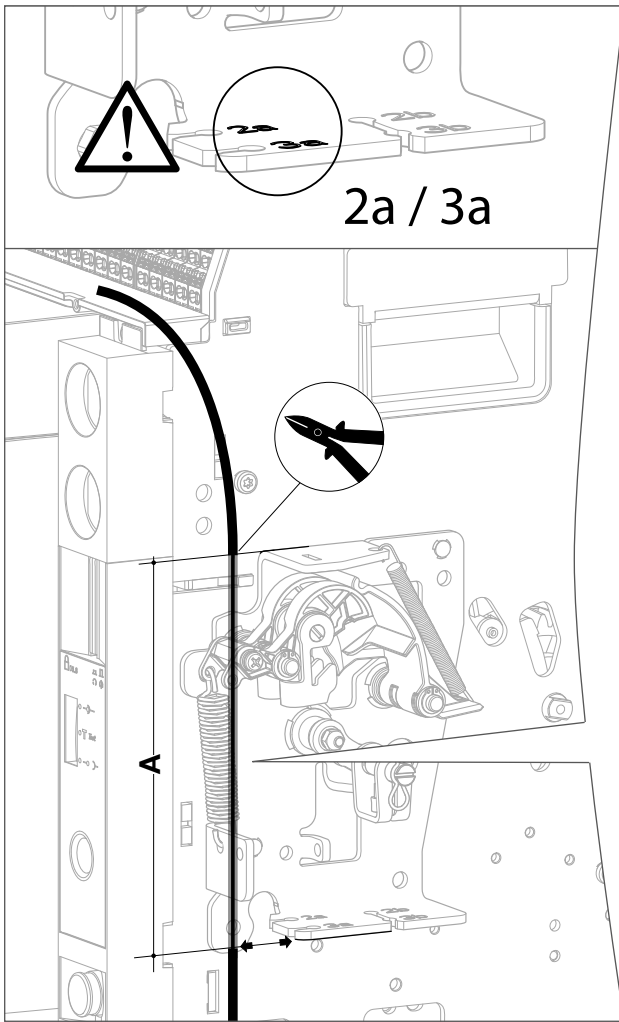


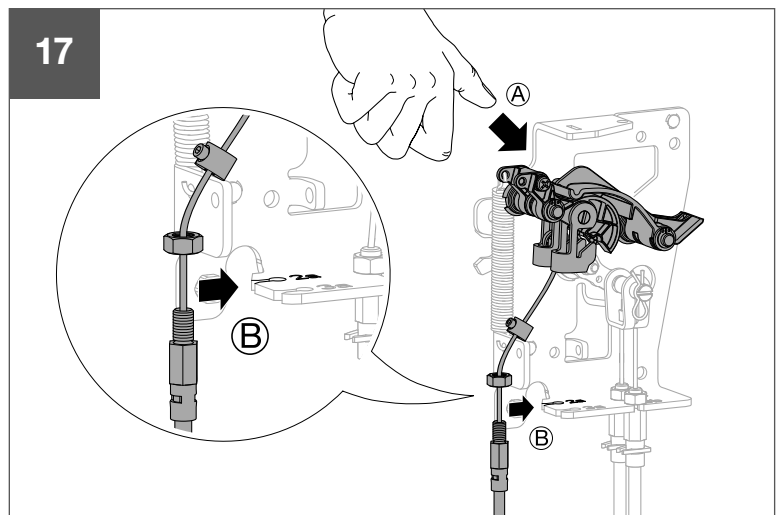
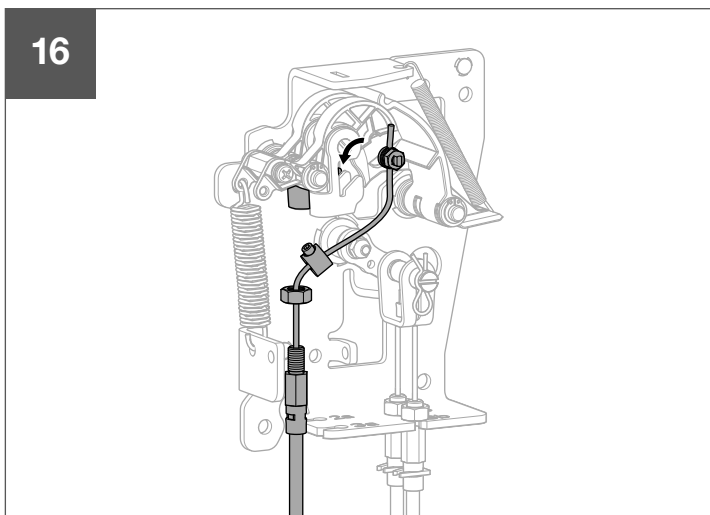
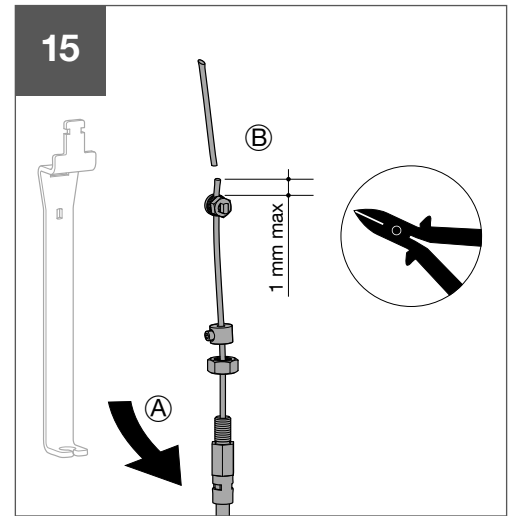
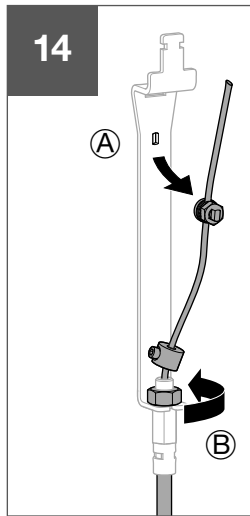
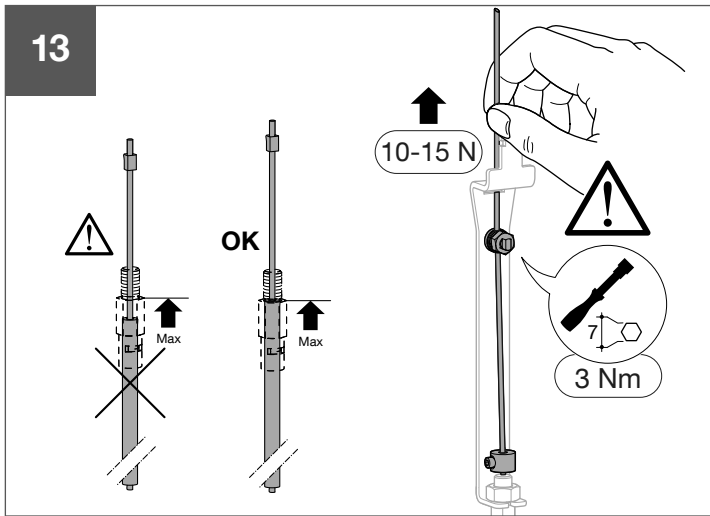
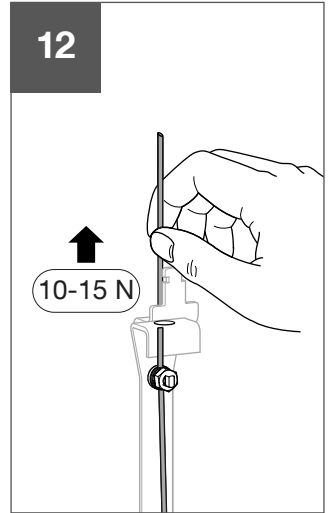
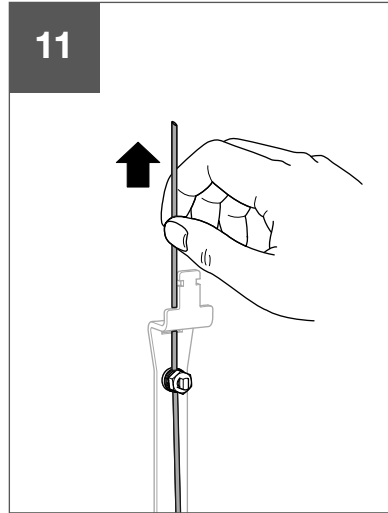
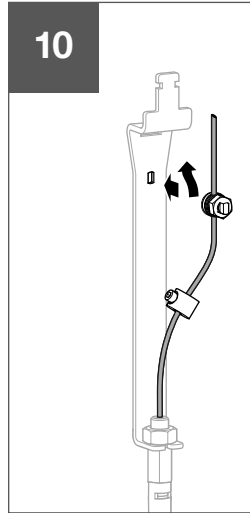
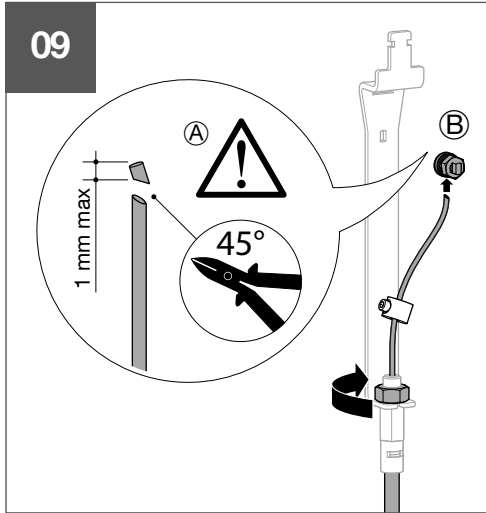
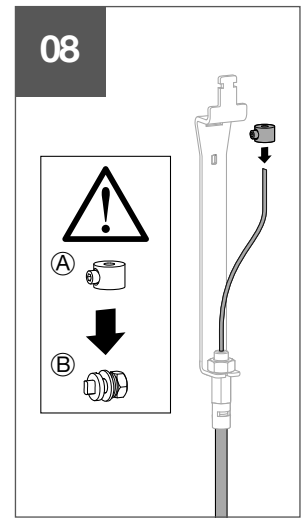
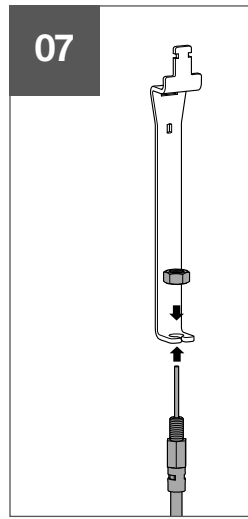
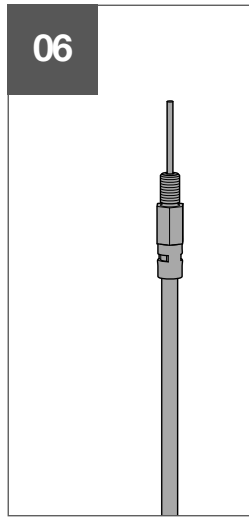
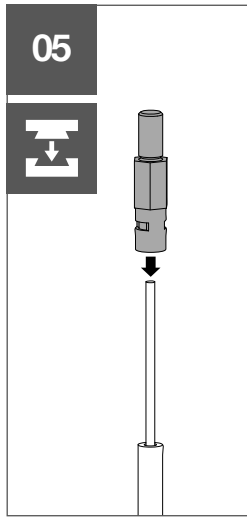
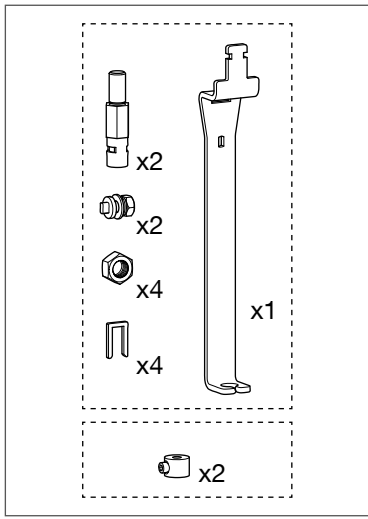


Warning !
 After adjustment, if the cable management is changed, the setting must be redone.

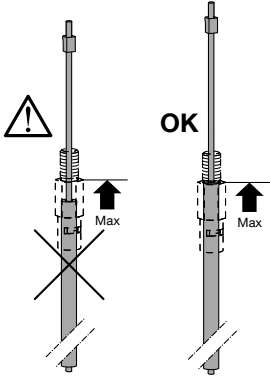




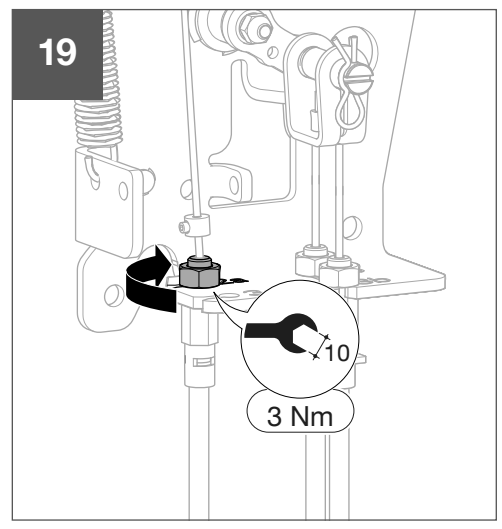
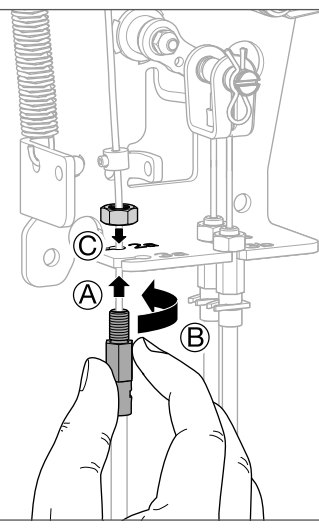




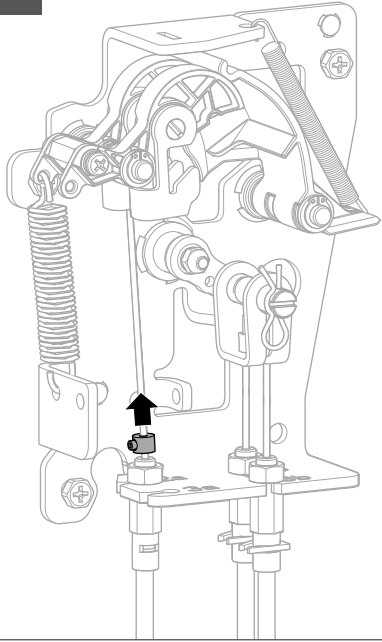
18



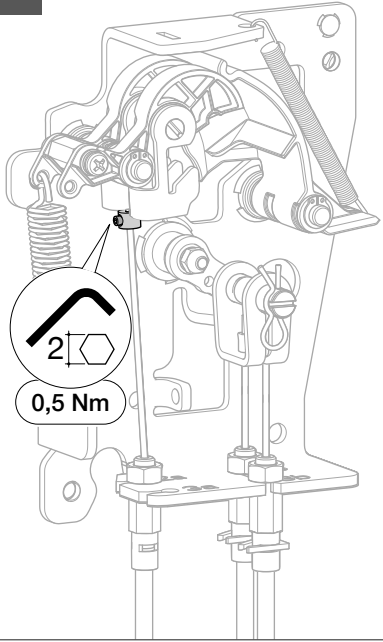
19



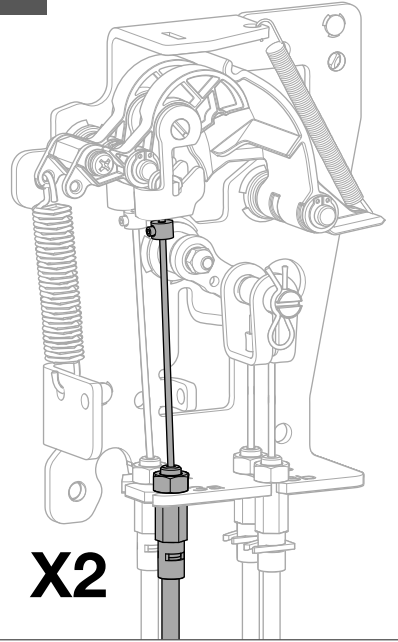
20



21

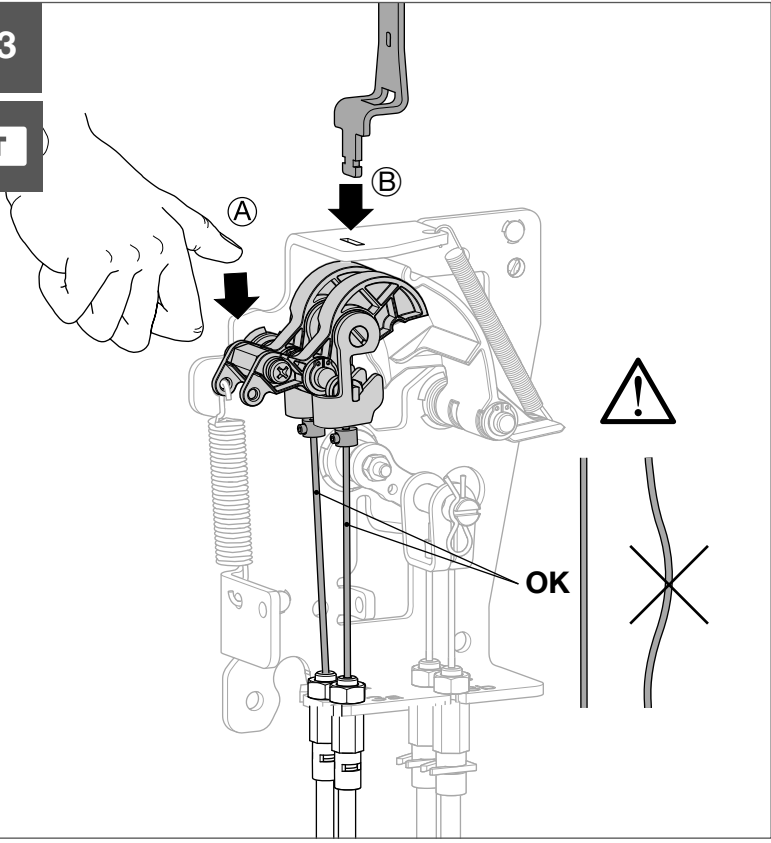


22

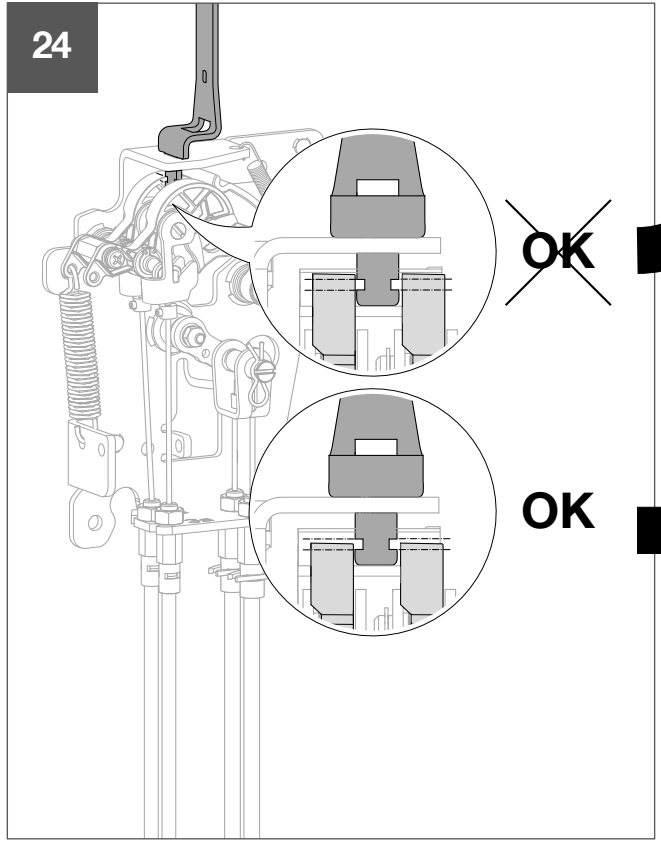


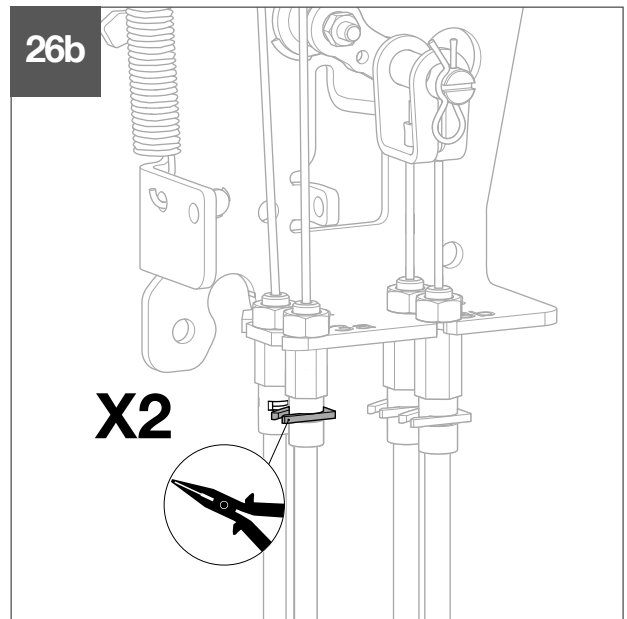
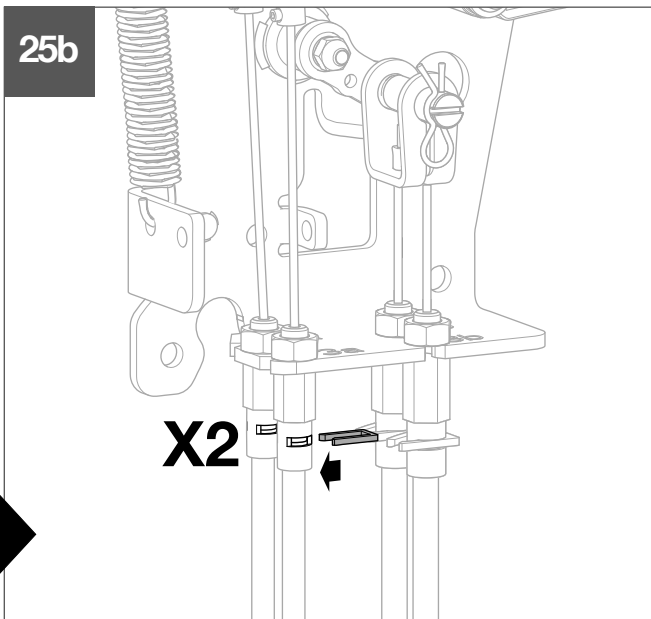
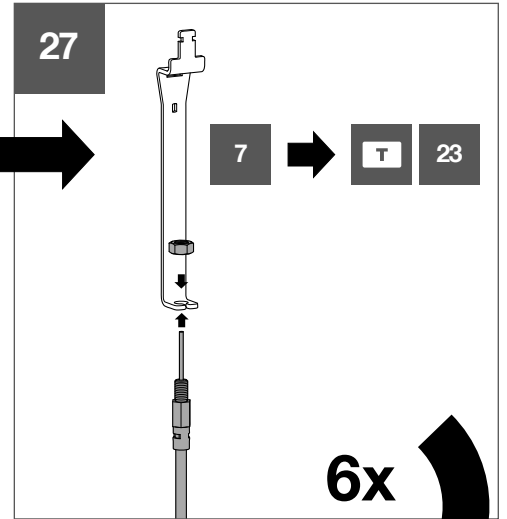
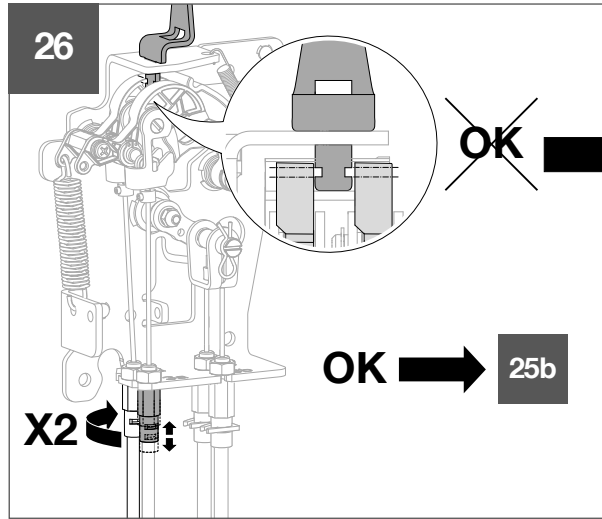
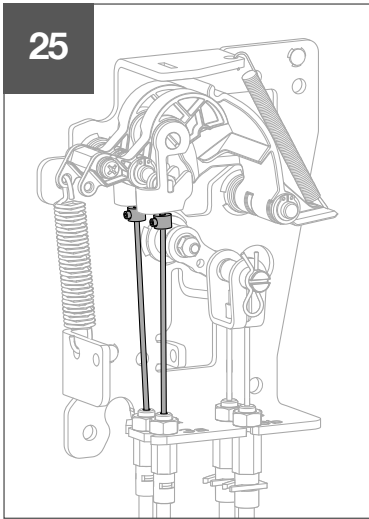
23

T



24





T

TEST WARNING → **6LE009728Aa**