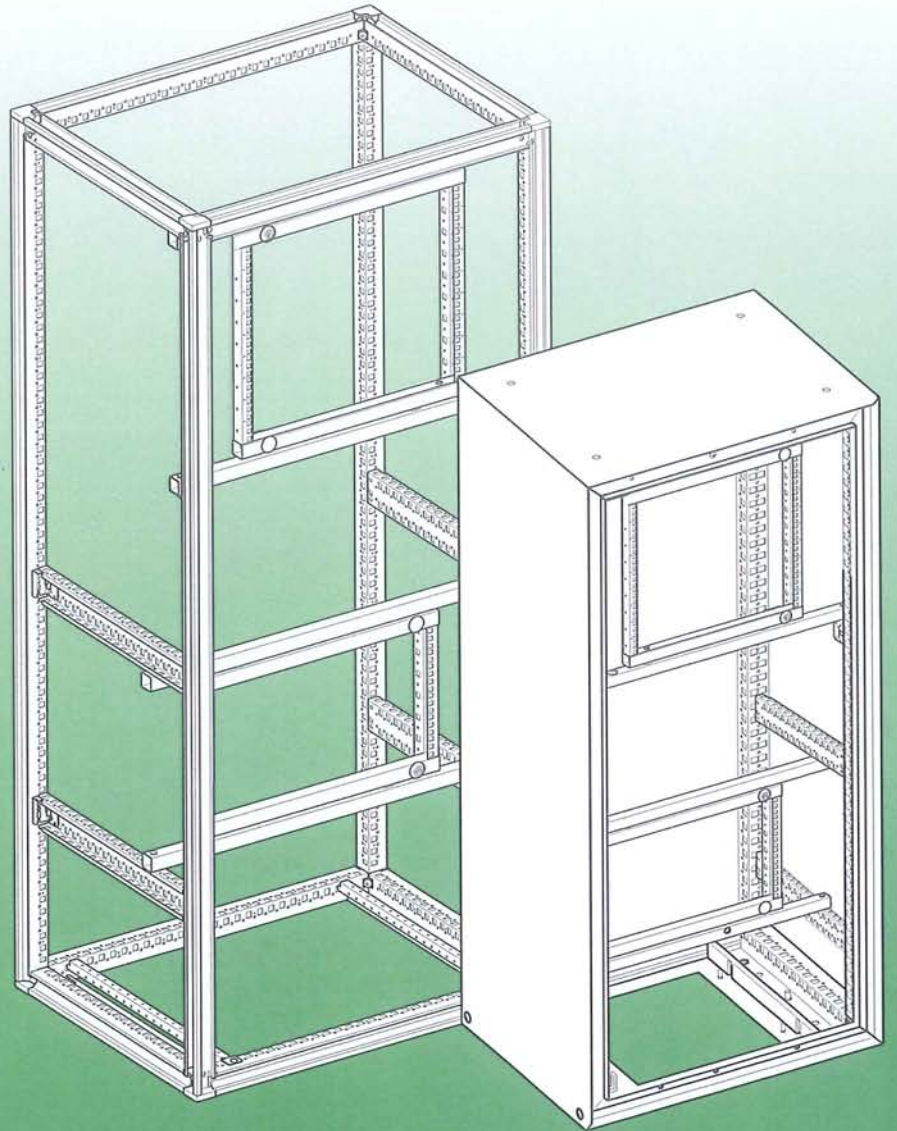




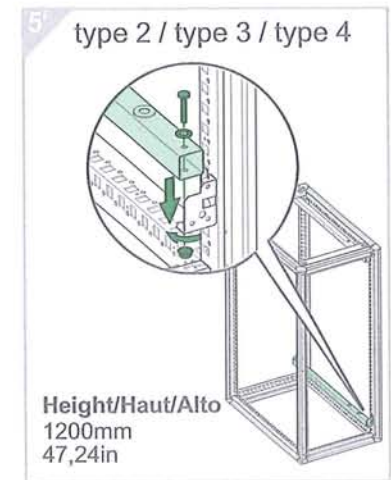
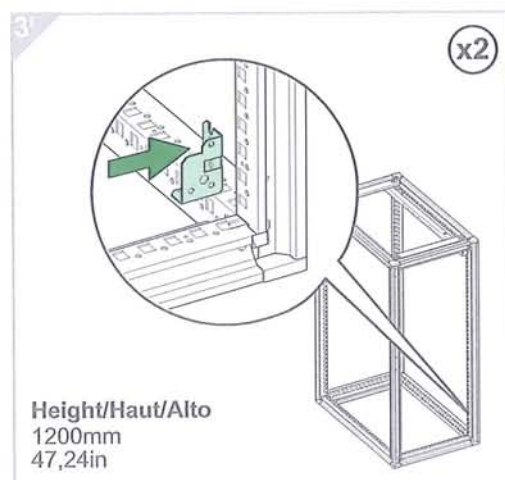
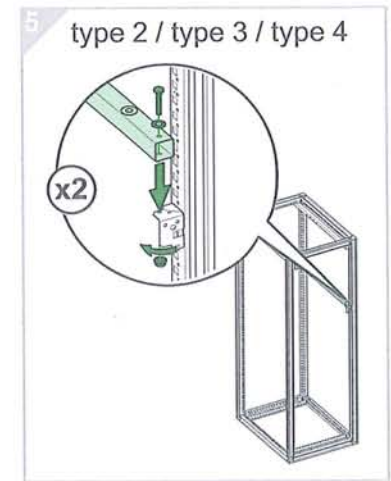
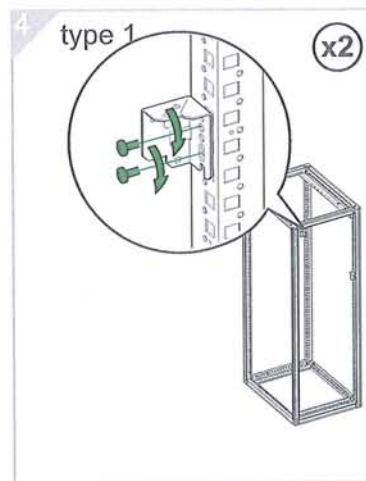
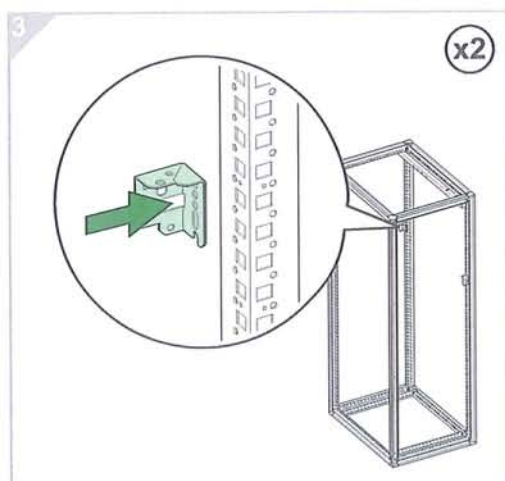
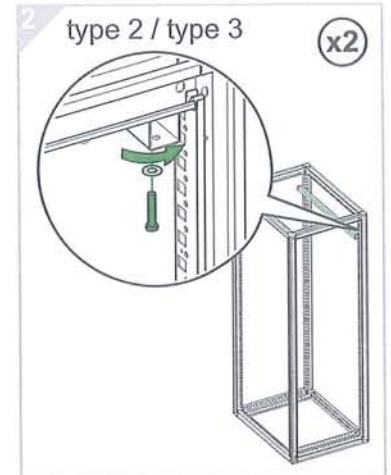
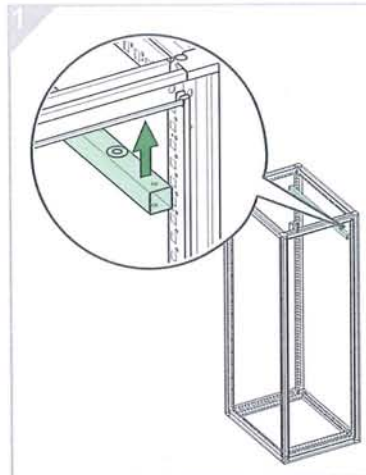
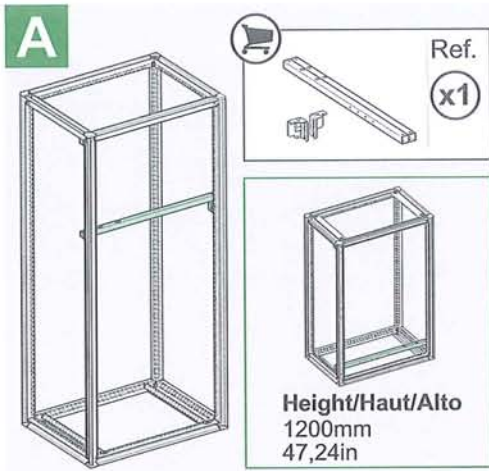
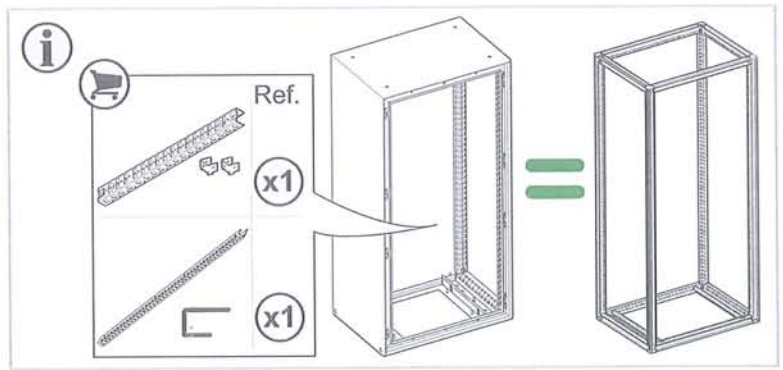


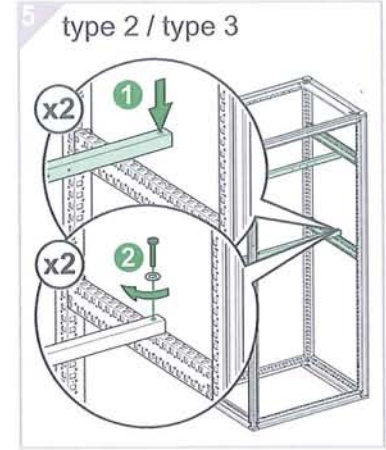
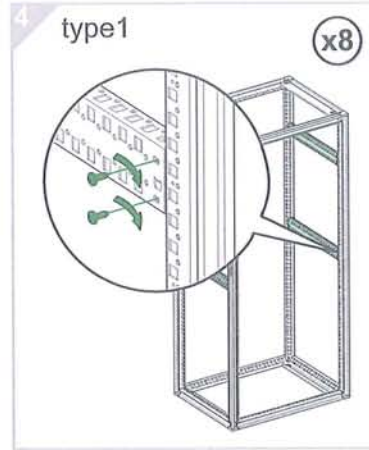
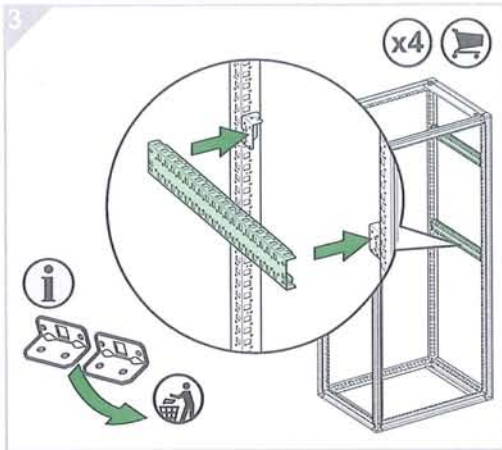
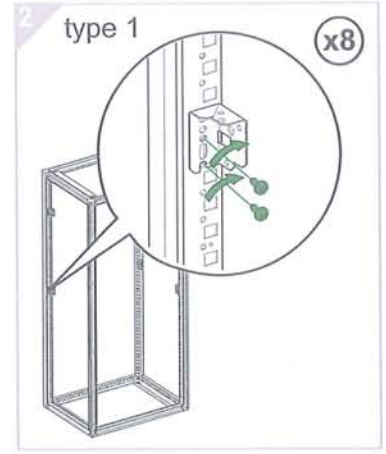
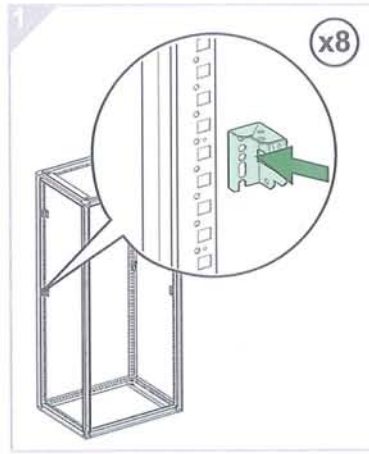
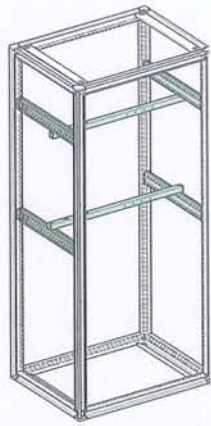
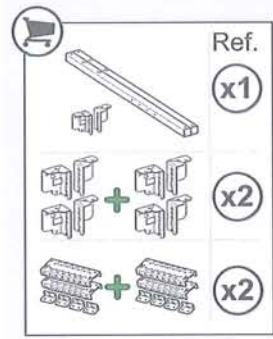
Partial 19" Swing Rack
 Châssis Pivotant 19" Partiel
 Bastidor Pivotante 19" Parcial



	type 1 ●⊗ M6 / T30 3 Nm 26,55 lb-in		type 2 ●⊗ M6 / T30 3 Nm 26,55 lb-in		type 3 Diam. 6,4		type 4 M6 3 Nm 26,55 lb-in
---	---	---	---	---	----------------------------	---	--



A



B

