



Product designation Power contactor
Product type designation BF265

Contact characteristics

Number of poles	Nr.	4
Rated insulation voltage U _i IEC/EN	V	1000
Rated impulse withstand voltage U _{imp}	kV	8
Operational frequency	min	Hz 25
	max	Hz 400
IEC Conventional free air thermal current I _{th}	A	450
Operational current I _e	AC-1 (≤40°C)	A 450
	AC-1 (≤55°C)	A 375
	AC-1 (≤70°C)	A 325
	AC-3 (≤440V ≤55°C)	A 265
	AC-4 (400V)	A 125
Rated operational power AC-3 (T≤55°C)	230V	kW 75
	400V	kW 132
	415V	kW 132
	440V	kW 160
	500V	kW 160
	690V	kW 200
	1000V	kW 160
Rated operational current AC-3 (T≤55°C)	230V	A 265
	400V	A 265
	415V	A 265
	440V	A 265
	500V	A 250
	690V	A 250
	1000V	A 115
Rated operational power AC-1 (T≤40°C)	230V	kW 170
	400V	kW 296
	500V	kW 326
	690V	kW 511
IEC max current I _e in DC1 with L/R ≤ 1ms with 1 poles in series	75V	A 350
	110V	A 160
IEC max current I _e in DC1 with L/R ≤ 1ms with 2 poles in series	75V	A 350
	110V	A 300
	220V	A 250
IEC max current I _e in DC1 with L/R ≤ 1ms with 3 poles in series		

	75V	A	350
	110V	A	300
	220V	A	300
	330V	A	250
IEC max current I _e in DC1 with L/R ≤ 1ms with 4 poles in series			
	75V	A	350
	110V	A	300
	220V	A	300
IEC max current I _e in DC3-DC5 with L/R ≤ 15ms with 1 poles in series			
	75V	A	280
	110V	A	150
IEC max current I _e in DC3-DC5 with L/R ≤ 15ms with 2 poles in series			
	75V	A	280
	110V	A	250
	220V	A	200
IEC max current I _e in DC3-DC5 with L/R ≤ 15ms with 3 poles in series			
	75V	A	280
	110V	A	280
	220V	A	250
	330V	A	200
IEC max current I _e in DC3-DC5 with L/R ≤ 15ms with 4 poles in series			
	75V	A	280
	110V	A	280
	220V	A	280
	330V	A	280
	460V	A	200
Short-time allowable current for 10s (IEC/EN60947-1)		A	2120
Protection fuse			
	gG (IEC)	A	630
	aM (IEC)	A	400
Making capacity (RMS value)		A	2650
Breaking capacity at voltage			
	440V	A	2120
	500V	A	1792
	690V	A	1624
Resistance per pole (average value)		mΩ	0.12
Power dissipation per pole (average value)			
	I _{th}	W	24.3
	AC-3	W	8.4
Tightening torque for terminals			
	min	Nm	35
	max	Nm	35
	min	lbin	310
	max	lbin	310
Tightening torque for coil terminal			
	min	Nm	0.8
	max	Nm	1
Power terminal protection according to IEC/EN 60529			IP00
Mechanical features			
Operating position		normal allowable	Vertical plan ±30°
Fixing			Screw

Operations

Mechanical life cycles 5000000

Electrical life cycles 900000

Safety related data

Performance level B10d according to EN/ISO 13489-1

rated load cycles 1000000

EMC compatibility yes

AC coil operating

Rated AC voltage at 50/60Hz, 60Hz

min V 24
max V 60

AC operating voltage

of 50/60Hz coil powered at 50Hz
pick-up

min %Us 80 Us min
max %Us 110 Us max

drop-out

max %Us ≤70 Us min

of 50/60Hz coil powered at 60Hz
pick-up

min %Us 80 Us min
max %Us 110 Us max

drop-out

max %Us ≤70 Us min

AC average coil consumption at 20°C

of 50/60Hz coil powered at 50Hz

in-rush VA 160...320
holding VA 3.5...8.0

of 50/60Hz coil powered at 60Hz

in-rush VA 160...320
holding VA 3.5...8.0

of 60Hz coil powered at 60Hz

in-rush VA 160...320
holding VA 3.5...8.0

Dissipation at holding ≤20°C 50Hz

W 3.5...8.0

DC coil operating

DC rated control voltage

min V 20
max V 60

DC operating voltage

pick-up

min %Us 85 Us min
max %Us 110 Us max

drop-out

max %Us ≤70 Us min

Average coil consumption ≤20°C

in-rush W 160...230
holding W 3.5...8.0

Max cycles frequency

Mechanical operation cycles/h 1000

Operating times

Average time for Us control

in AC

Closing NO

min	ms	80
max	ms	120

Opening NO

min	ms	30
max	ms	75

UL technical data

Yielded mechanical performance

for three-phase AC motor

200/208V	HP	75
220/230V	HP	100
460/480V	HP	200
575/600V	HP	250

General USE

Contactor

AC current	A	450
------------	---	-----

Short-circuit protection fuse, 600V
High fault

Short circuit current	kA	100
Fuse rating	A	600
Fuse class		J

Standard fault

Short circuit current	kA	18
Fuse rating	A	600
Fuse class		RK5

Ambient conditions

Temperature

Operating temperature

min	°C	-40
max	°C	70

Storage temperature

min	°C	-50
max	°C	80

Max altitude

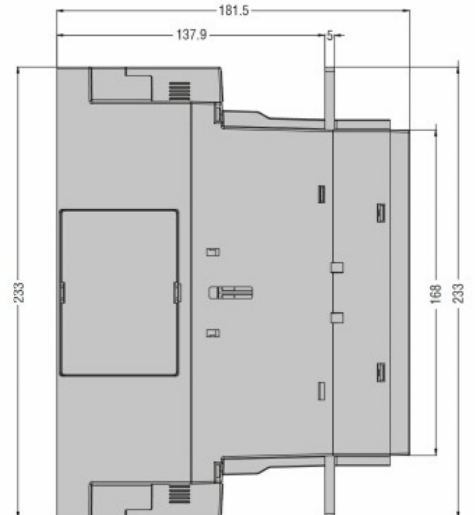
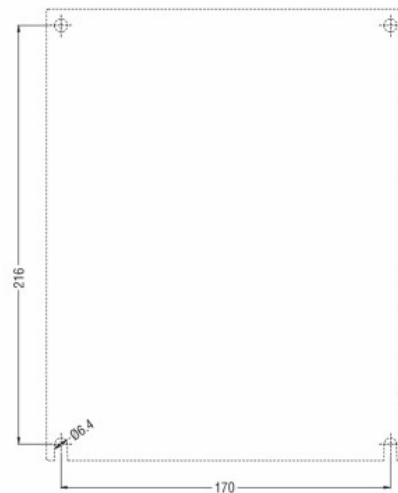
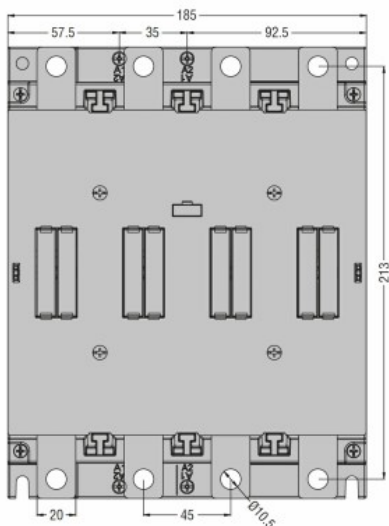
m	3000
---	------

Resistance & Protection

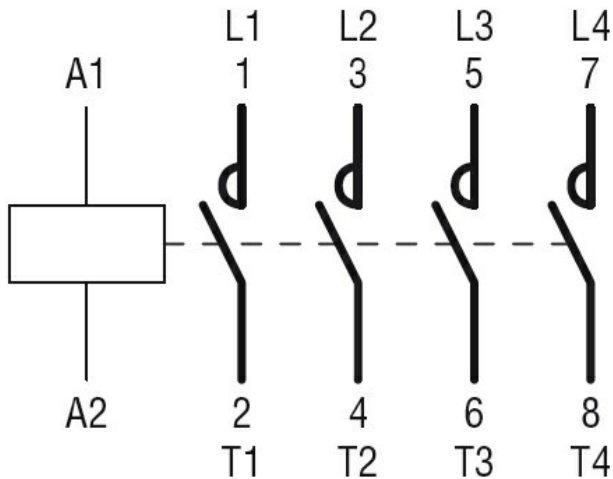
Pollution degree

3

Dimensions



Wiring diagrams



Certifications and compliance

Compliance

CSA C22.2 n° 60947-1

CSA C22.2 n° 60947-4-1

IEC/EN/BS 60947-1

IEC/EN/BS 60947-4-1

UL 60947-1

UL 60947-4-1

Certificates

cULus

ETIM classification

ETIM 8.0

EC000066 -
 Power contactor,
 AC switching