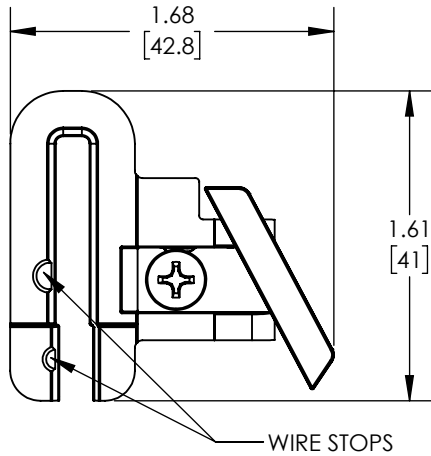
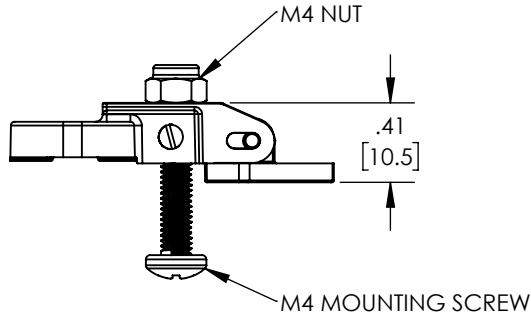


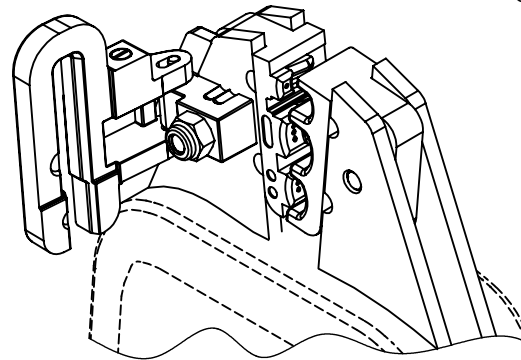
THIS COPY IS PROVIDED ON A RESTRICTED BASIS AND IS NOT TO BE USED IN ANY WAY DETRIMENTAL TO THE INTERESTS OF PANDUIT CORP.

NOTES:

1. MATERIAL: GLASS-FILLED NYLON
2. LOCATOR TO BE USED WITH CT-2300/ST TOOLS (SOLD SEPERATELY)
3. LOCATOR INCLUDES M4 SCREW AND NUT FOR MOUNTING TO CT-2300/ST CRIMPING TOOL.

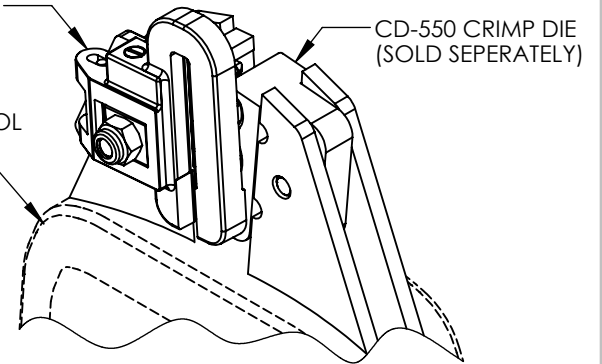


CD-550LOC LOCATOR  
(FOR USE WITH CD-550  
CRIMP DIE SOLD SEPERATELY)



CD-550LOC SHOWN PIVOTED OPEN  
TO ACCOMODATE SPLICE AND WIRE JOINTS

CT-2300/ST CRIMPING TOOL  
(SOLD SEPERATELY)



CD-550LOC LOCATOR SHOWN MOUNTED  
TO CT-2300/ST TOOL WITH CD-550 CRIMP DIE

00	9/17	JHNU	JHNU	RGB	DRAWING RELEASED	R88888AM-DC
REV	DATE	BY	CHK	APR	DESCRIPTION	ECN

TITLE			
<b>TERMINAL LOCATOR FOR USE WITH CT-2300/ST (CD-550LOC)</b> CUSTOMER DRAWING			
ITEM REVISION NAME		R88888AM/00	
DATASET FILE NAME		R88888AM-DC/00.SLDDRW	
UNLESS OTHERWISE SPECIFIED, DIMENSIONAL TOLERANCES ARE: IN [mm]			
.X ±		.XXX ±	
.XX ±		ANGLES ±	
		THIRD ANGLE PROJECTION	
DRAWN BY	DATE	CHK	SCALE
JHNU	6/17	RGB	1X
DRAWING NUMBER			R88888AM-DC
SHEET 1 OF 1			SIZE <b>A</b>



MATERIAL  
SEE NOTES