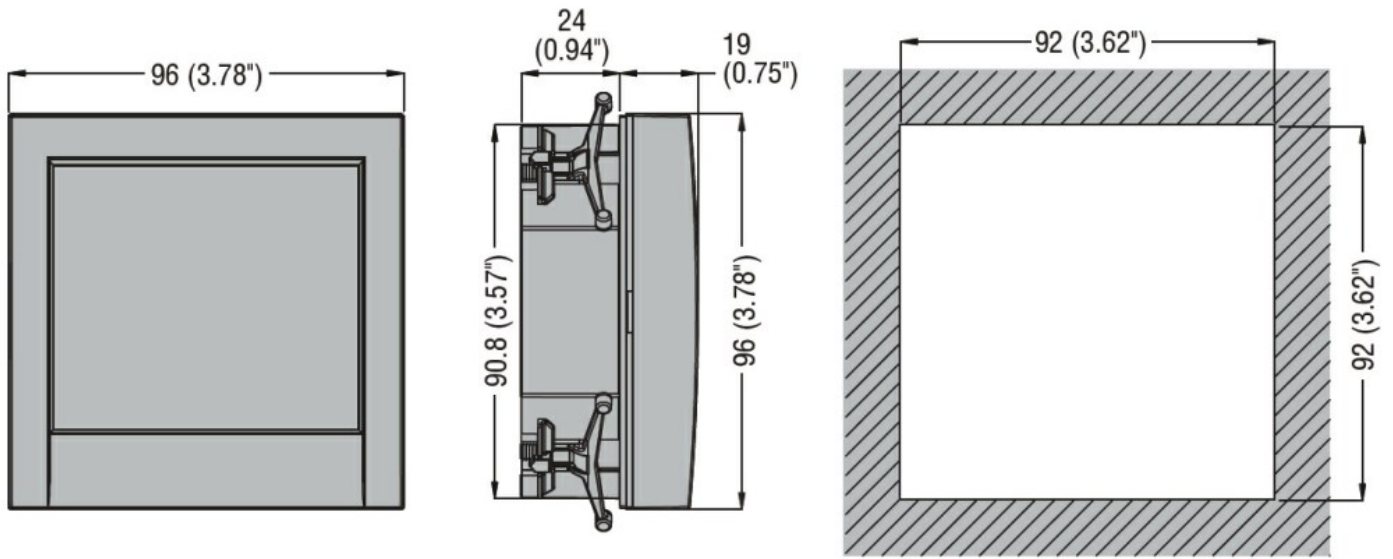
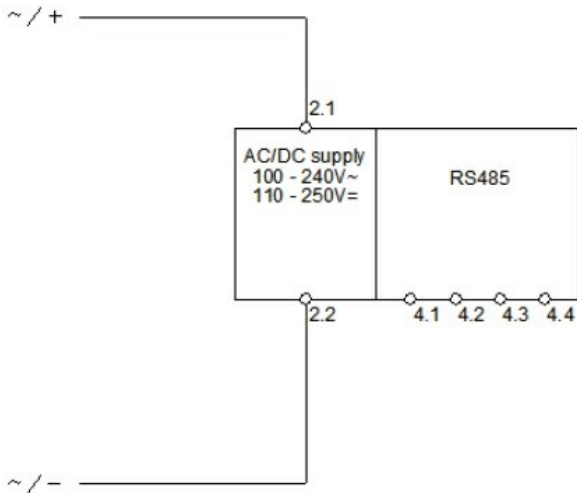




Product designation	Remote display unit		
Product type designation	EXCRDU1		
General characteristics			
Description	Remote display unit, graphic LCD, touch screen 128x112 pixels, IP65 protection. Compatible with ADXL... soft starter and VLB3... variable speed drives		
Functions	Remote display unit		
Rated power supply voltage	Auxiliary supply 100...240VAC/12...24VDC		
Interface			
RS485 communication	Yes		
Mechanical features			
Conductor cross section	min	mm ²	0.2
	Max	mm ²	2.5
	min	AWG	24 / 18 for UL/CSA
	Max	AWG	12
Tightening torque (Max)		Nm	0.56
		lbin	4.5
Dimensions			



Wiring diagrams



Certifications and compliance

Compliance

C22.2-n°14-95

IEC/EN 61000-6-2

IEC/EN 61000-6-4

UL508

Certificates

cULus

EAC

ETIM classification

ETIM 8.0

EC002498 -
Accessories/spare
parts for low-
voltage switch
technology