

Part number

AH M32IF



Complete cable gland, M32, for diameter
18-21 mm

Product description

Product type	Complete cable gland
Cable entry	M32
Specification	For diameter 18-21 mm For T-TYPE HYGIENIC

Technical data

IP degree of protection	IP68/IP69
--------------------------------	-----------

Further technical details

Operating temperature range (min, max)	-20 °C...+85 °C
---	-----------------

General ordering information

EAN13 code	8015747262880
eCl@ss 8.1	27149109
ETIM 7.0	EC000441

Packaging Information

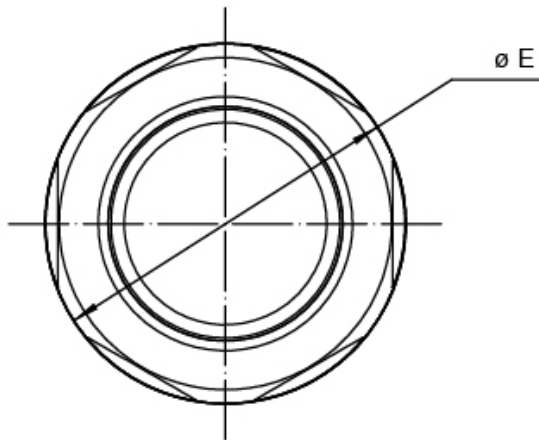
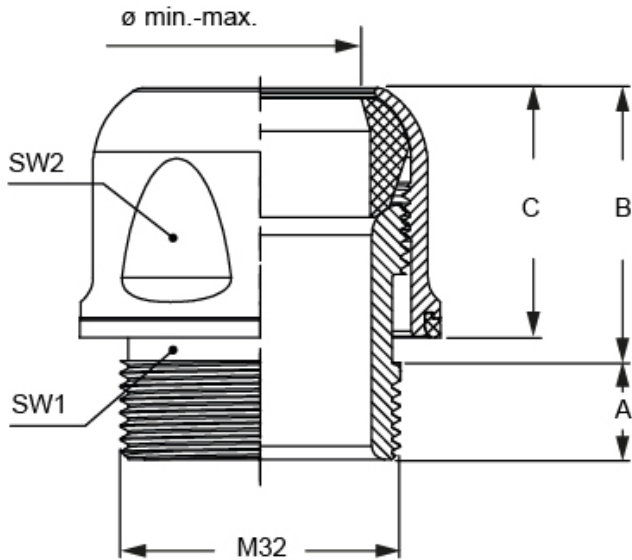
Sub-packaging description	Plastic packaging
Sub-packaging quantity	5 Pcs
Sub-packaging EAN barcode	8015747262927

Part number

AH M32IF



Catalogue drawings



part No.	A	B	C	SW1	SW2	ø E	ø min.-max.
AH M32IF	11	32	28	30	38	40,9	18,0-21,0
AH M32IFL	11	32	28	30	38	40,9	20,0-23,0

Notes

Dimensions shown in mm are not binding and may be changed without notice.