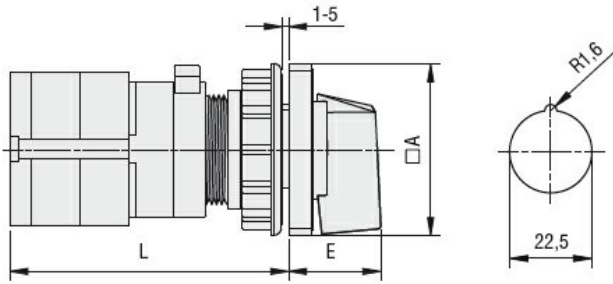


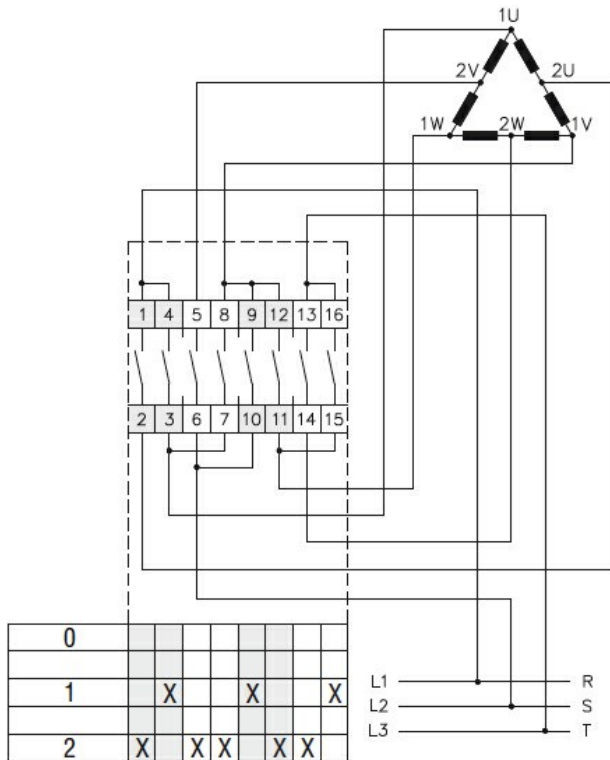
Product designation				Rotary cam switches
Product type designation				GF10
<b>General characteristics</b>				
Switching diagram				19 - Dahlander motor control switch 0-1-2
N° of elements				4
Mounting form				U47 - Snap on front mounting with black handle for hole diam. 22mm finxing
<b>Contact characteristics</b>				
Rated insulation voltage $U_i$	IEC/EN	V	480	
	UL/CSA	V	240	
Rated impulse withstand voltage $U_{imp}$		kV	4	
Conventional free air thermal current $I_{th}$	IEC/EN	A	10	
	UL/CSA	A	10	
Rated operational voltage		V	480	
Rated operational impulse voltage		kV	4	
Maximum fuse size for short-circuit protection $I_n$ (gG)	10kA	A	16	
Rated short time current $I_{cw}$	1s	A	250	
Conductivity				10/5 mA/V
Operational current $I_e$ IEC/EN				
AC1/AC21A		A	10	
AC15	110V	A	5	
	220/230V	A	3	
	380/400V	A	2	
Rated operational power in AC				
Three-phase AC-3	220/230V	kW	1.5	
	380/440V	kW	2.2	
Single-phase AC-3	110V	kW	0.3	
	220/230V	kW	0.55	
	380/440V	kW	0.75	
Three-phase AC23A	220/230V	kW	1.8	
	380/440V	kW	3	
Single-phase AC23A	110V	kW	0.7	
	220/230V	kW	0.75	
	380/440V	kW	1.1	
Rated operational current in DC				
DC21A	48V	A	10	

		60V	A	7
		110V	A	2
		220V	A	0.7
		440V	A	0.2
DC13		24V	A	3
		48V	A	3
		60V	A	2
		110V	A	1
		220V	A	0.3
		440V	A	0.1
Power dissipation			W	0.4
<b>Mechanical features</b>				
Terminals screw				2.5M
Tightening torque for terminals max			Nm	0.4
Conductor size				
	AWG - Rigid cable			
		min	AWG	20
		Max	AWG	14
	AWG - Flexible cable			
		min	AWG	20
		Max	AWG	14
	Conductor size (IEC) - Flexible cable			
		min	mm <sup>2</sup>	0.5
		Max	mm <sup>2</sup>	1.5
	Conductor size (IEC) - Rigid cable			
		min	mm <sup>2</sup>	0.5
		Max	mm <sup>2</sup>	1.5
Mechanical life			cycles	1x10 <sup>6</sup>
<b>UL technical data</b>				
Motor power for direct-on-line control				
	for three-phase motor			
		240V	HP	2
	for single-phase motor			
		240V	HP	0.75
<b>Ambient conditions</b>				
Temperature				
	Operating temperature			
		min	°C	-25
		max	°C	+55
	Storage temperature			
		min	°C	-40
		max	°C	+70
<b>Resistance &amp; Protection</b>				
Frontal IP degree				IP40
Terminals IP degree				IP20
<b>Dimensions</b>				



Series	Dimensions		L			
	□A	E	1	2	3...8	
GF10	30	18.5	60	72	84	144
GF20	48	26.5	56	69.5	83	150.5

**Wiring diagrams**



**Certifications and compliance**

**Compliance**

- CSA C22.2 n° 14
- IEC/EN/BS 60947-1
- IEC/EN/BS 60947-3
- IEC/EN/BS 60947-5-1
- UL60947-4-1

**Certificates**

- cULus
- EAC

**ETIM classification**

ETIM 8.0

EC001029 -  
Selector switch,  
complete