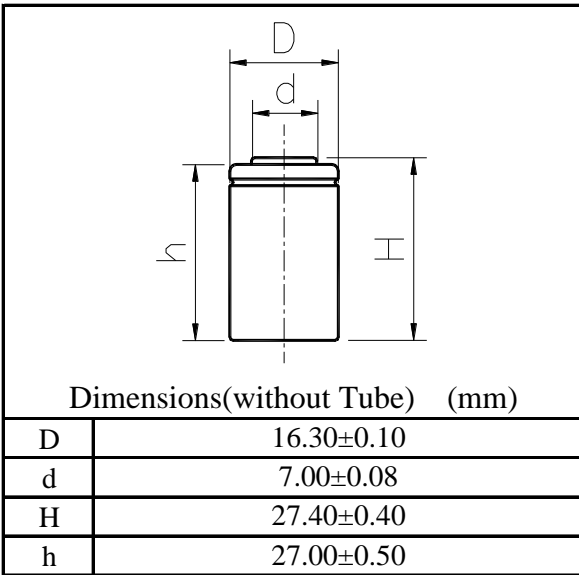


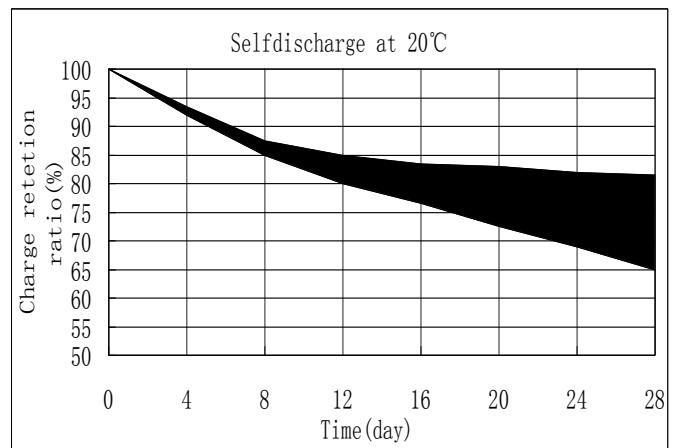
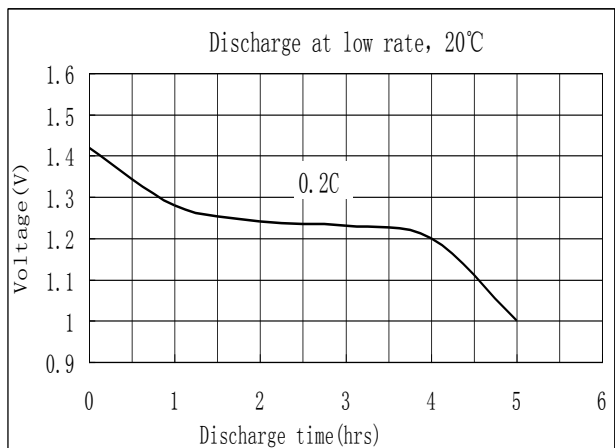
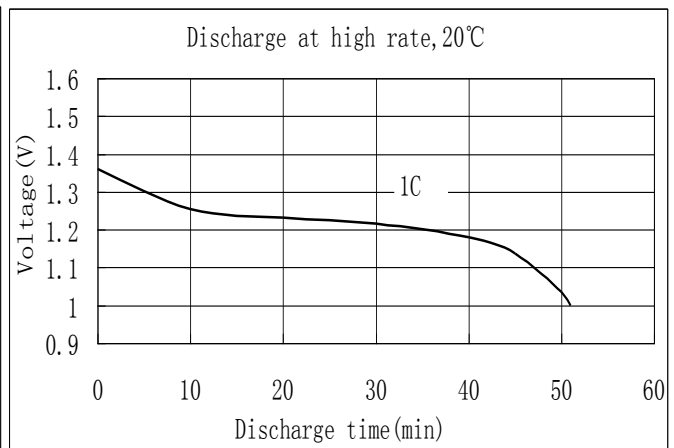
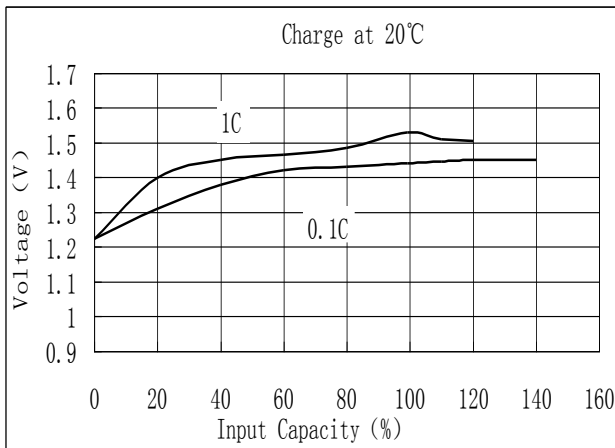
MODEL No: 1/2A600

Description: 600 mAh SIZE NI-Cd A



Specification

Nominal Capacity		600 mAh	
Nominal Voltage		1.2 V	
Charge current	Standard	60 mA	
	Fast	600 mA	
Charge time	Standard	14~16 Hrs	
	Fast	1.2 Hrs	
Ambient Temperature	Charge	Standard	0°C~45°C
		Fast	10°C~45°C
	Discharge	-30°C~60°C	
Storage		-20°C~60°C	
Internal Impedance(mΩ) (After Charge)		≤ 30	
Weight		15.5 g	



We reserve the right to alter or amend the design,model and specification without prior notice.