



Rope-pull lever
without reset
button
PLNU1ATW

Product designation

Product type designation

General characteristics

Material

Housing

Aluminium-zinc
alloy

Contact characteristics

Type of contact		1NO+1NC
Thermal current I _{th}	A	10
Rated insulation voltage U _i	V	400
Short-circuit protection with fuse	Class/A	10 gG/SC QUICK FUSE
IEC Conventional free air thermal current I _{th}	A	10
Resistance per pole (average value)	mΩ	<10

Mechanical features

Operating head fixing		Fixed
Operating torque	N lb	10 2.2
Tightening torque (Max)		
Switch fixing	Nm lbin	2.5 22.1

Conductor section

AWG/Kcmil

max 14

IEC

max mm² 2.5

Cable connection

Self-releasing
screw terminal

Cable entry

PG11 with cable
gland

Weight

g 240

Operations

Mechanical life	cycles	>10000000
Mechanical operation	cycles/h	3600

Ambient conditions

Temperature

Operating temperature

min °C -25

max °C +70

Storage temperature

min °C -40

max °C +70

Resistance & Protection

IP degree

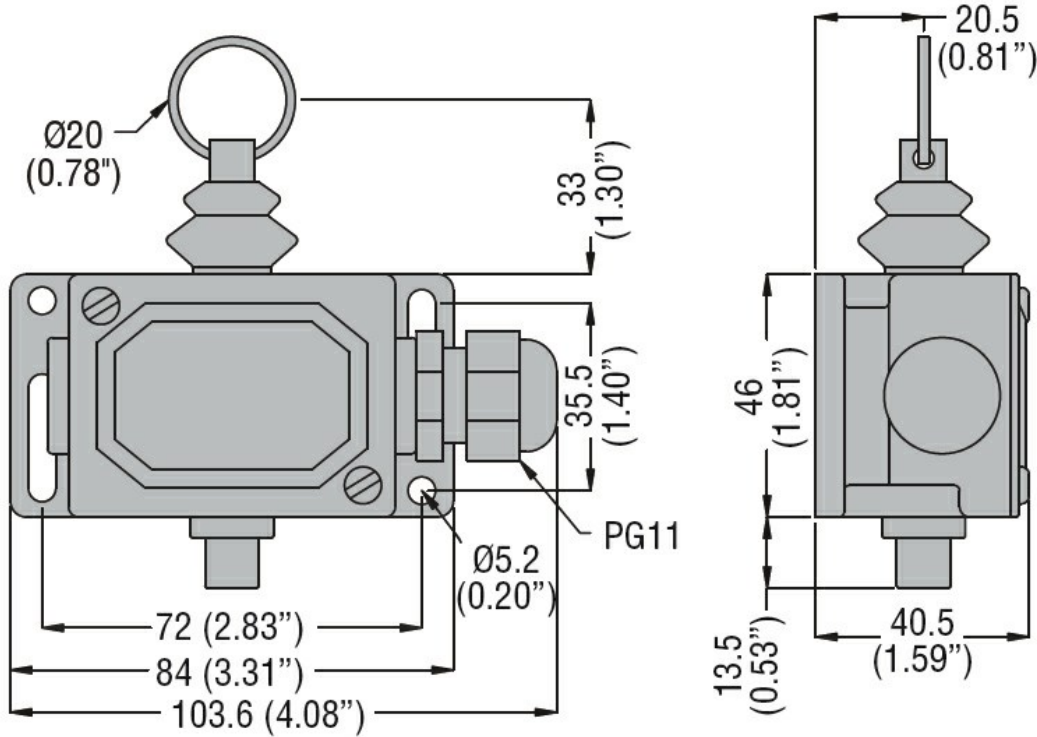
Body housing

IP65

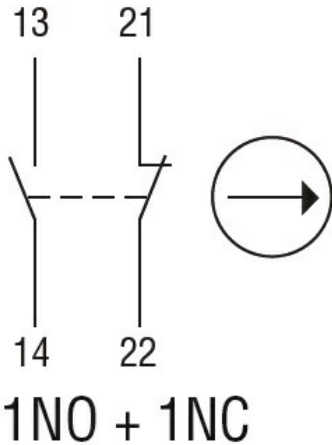
Pollution degree

3

Dimensions



Wiring diagrams



Certifications and compliance

Compliance

EN 81-1.

IEC/EN 60947-1

IEC/EN 60947-5-1

Certificates

EAC

ETIM classification

ETIM 8.0

EC000030 - End switch