

Part number

CKA 03 APS



Angled Bulkhead mounting housing, CKA series, with 1 lever, Pg11 cable entry, size "21.21", bulkhead hole closed

Product description		Material properties	
Product type	Angled bulkhead mounting housing	Main material	Zinc die-cast
Series	CKA	Colour	RAL 7040 grey
Closing type	With 1 lever	RoHs conformity	Compliant
Size	Size "21.21"	China RoHs - EFUP	E
Cable entry	With cable entry Pg11	REACH SVHC substances	No
Specification	Bulkhead hole closed	Approvals / Standards	
Technical data		UL	ECBT2
IP degree of protection	IP44 (IP66/IP67/IP69 with CKR 65/CKR 65 D kits)	cUL	ECBT8
Further technical details		General ordering information	
Weight	71,00 g	EAN13 code	8015747026840
Operating temperature range (min, max)		Packaging Information	
-40°C...+125°C		Packaging length	450,00 mm
		Packaging height	175,00 mm
		Packaging width	230,00 mm
		Packaging weight	8,14 kg
		Packaging volume	18,11 dm ³
		Packaging description	Carton box
		Packaging quantity	100 Pcs
		Packaging EAN code	8015747223065
		Sub-packaging length	210,00 mm
		Sub-packaging height	40,00 mm
		Sub-packaging width	175,00 mm
		Sub-packaging weight	0,81 kg
		Sub-packaging volume	1,47 dm ³
		Sub-packaging description	Carton box
		Sub-packaging quantity	10 Pcs
		Sub-packaging EAN barcode	8015747026857

Part number

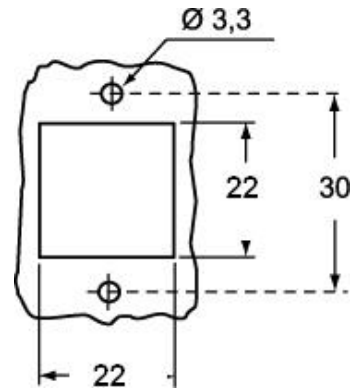
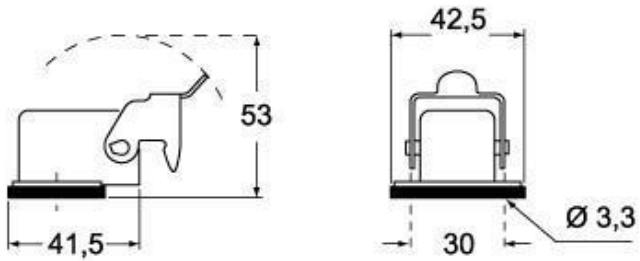
CKA 03 APS



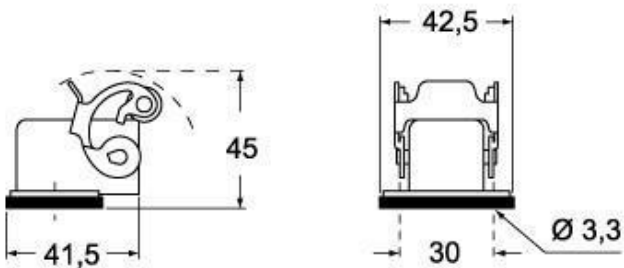
Catalogue drawings

Catalogue drawings

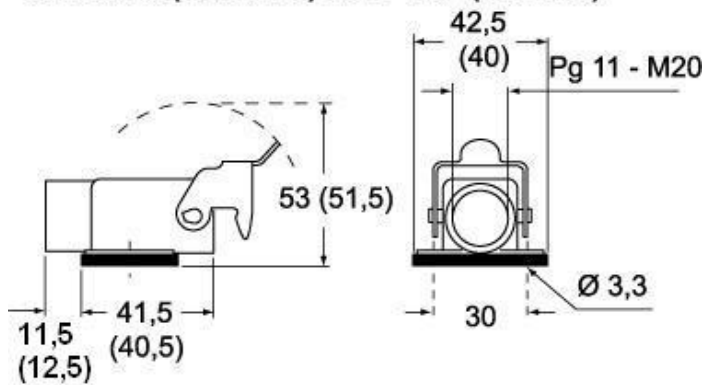
CKA IA



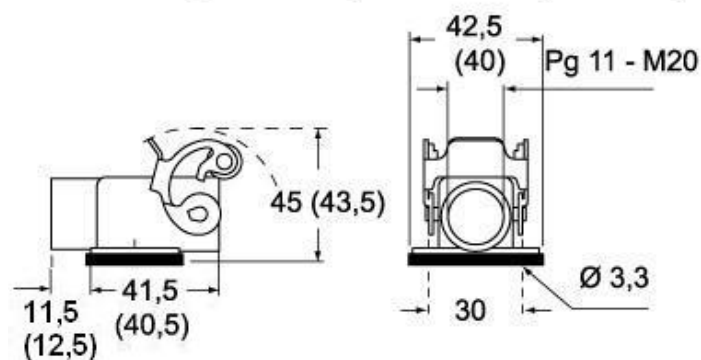
CKAX IA



CKA IAPS (CKA APS) MKA - IAP (MKA AP)



CKAX IAPS (CKAX APS) - MKAX IAP (MKAX AP)



Notes

Dimensions shown in mm are not binding and may be changed without notice.
