

### Ø 42 mm 10 and 17 Watts 17 W Part number 82800037



- Usable power : 9 to 16 W
- For low-speed drive applications
- Sintered bronze bearings lubricated for life
- Power supply by 4.75 mm tags
- Interchangeable brushes
- Optional one-channel encoder

#### Part numbers

	Type	Type	Voltage	References
82800037	17 W	828000	24 V	Without encoder

#### Specifications

##### No-load characteristics

Speed of rotation (rpm)	2750
Absorbed power (W)	4,3
Absorbed current (A)	0,18

##### Nominal characteristics

Speed (rpm)	2000
Torque (mNm)	75
Usable power (W)	15,6
Absorbed power (W)	26,4
Absorbed current (A)	1,1
Gearbox case temperature rise (°C)	40
Efficiency (%)	59

##### General characteristics

Insulation class (conforming to IEC 85)	F (155 °C)
Protection (IEC/EN 60529)	IP20
Max. output power (W)	17
Start torque (mNm)	210
Starting current (A)	2,7
Resistance (Ω)	7,7
Inductance (mH)	6,9
Torque constant (Nm/A)	0,0724
Electrical time constant (ms)	0,89
Mechanical time constant (ms)	16
Thermal time constant (mn)	12
Inertia (g.cm <sup>2</sup> )	110
Weight (g)	400
Number of segments	8
Service life (h)	3000
Sintered bronze bearings	■
Replaceable brushes	■

##### Encoder characteristics

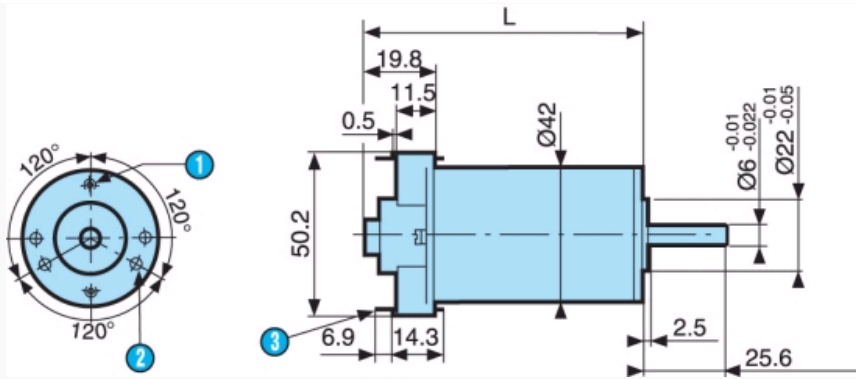
Output current (mA)	< 25 (25 °C)
Supply (V)	4,5 →30 DC
Ambient temperature (°C)	-40 →85 °C

#### Made to order products, available on request

- **Special interference suppression**
- Other supply voltages
- Motor with 1 ball bearing at front (essential for vertical motor)
- Shaft lengths at front and/or rear
- 5 pulses/revolution magnetic encoder
- Reversible magnetic encoder (1 or 5 pulses/revolution)
- Other fixing flanges on front

#### Dimensions (mm)

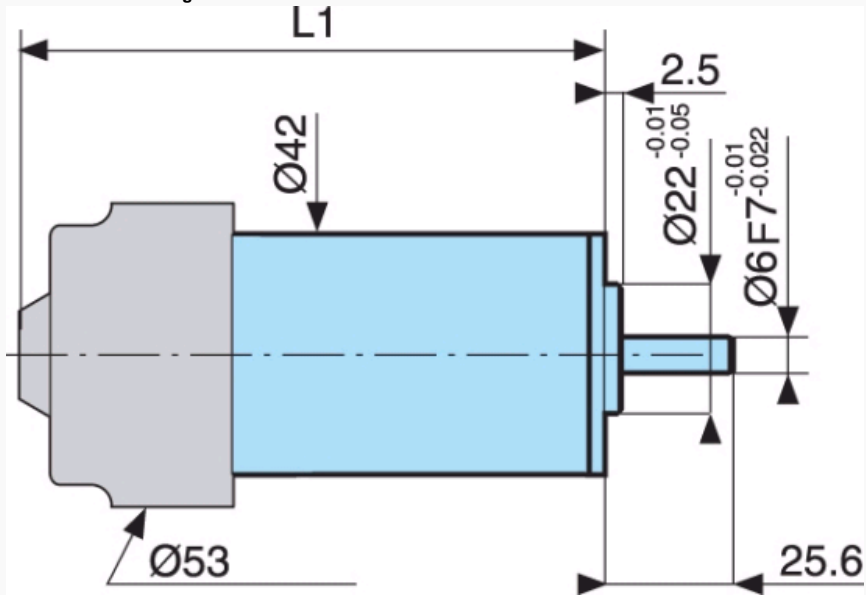
828000 - 828100



N°	Legend
1	2 x M3 at 180°, depth 5 mm over Ø 32
2	2 holes Ø 2.75 ±0.05 at 120° depth 5 mm Ø 32
3	2 tags IEC 760, series 4.8 x 0.5
	L : 828000 : 84.8 mm max.
	L : 828100 : 69.8 mm max.

### Dimensions (mm)

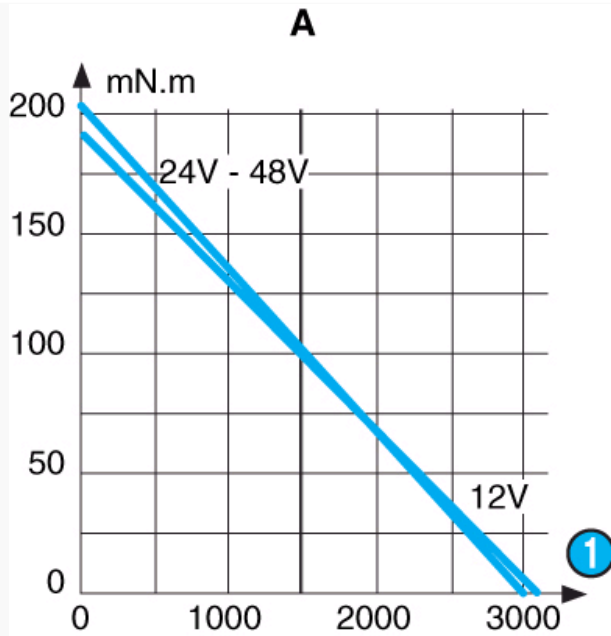
Dimensions with magnetic encoder



N°	Legend
	L1 : 828000 : 99.1 mm max.
	L1 : 828100 : 84.1 mm max.

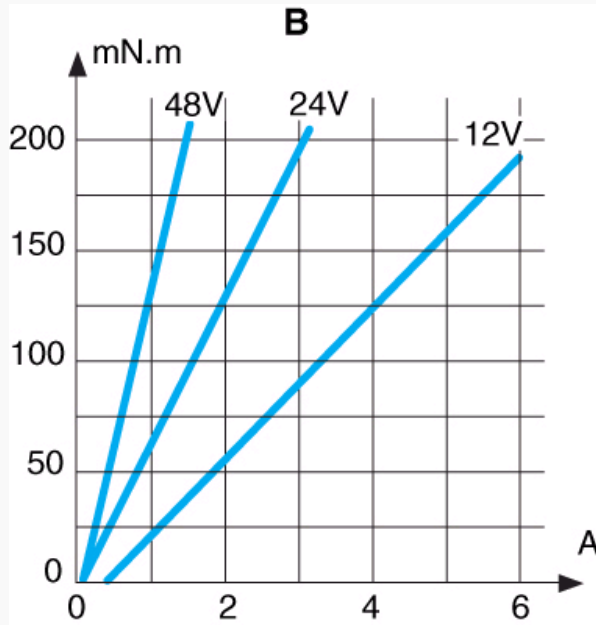
### Curves

828000



N°	Legend
①	rpm
⊗	Torque/speed curve

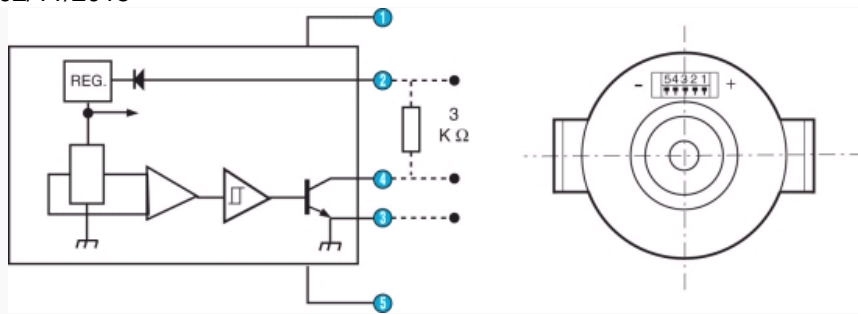
**Curves**  
828000



N°	Legend
⊗	Torque/current curve

**Connections**

Encoder and connector : STOCKO MKS 3735-6-0-505



Part number of female connector : STOCKO MKF 17-230 / 260 / 330 / 360 to be used

N°	Legend
1	Motor power supply
2	+5 → +24 V DC (encoder power supply)
3	0 V DC (encoder power supply)
4	Encoder signal output
5	Motor power supply

#### Product adaptations



- Special output shaft
- Pinion on output shaft
- Special supply voltage
- Special ball bearings
- Special mounting plate
- Special connections
- Encoder : 5, 200, 500 or 1000 pulses/revolution