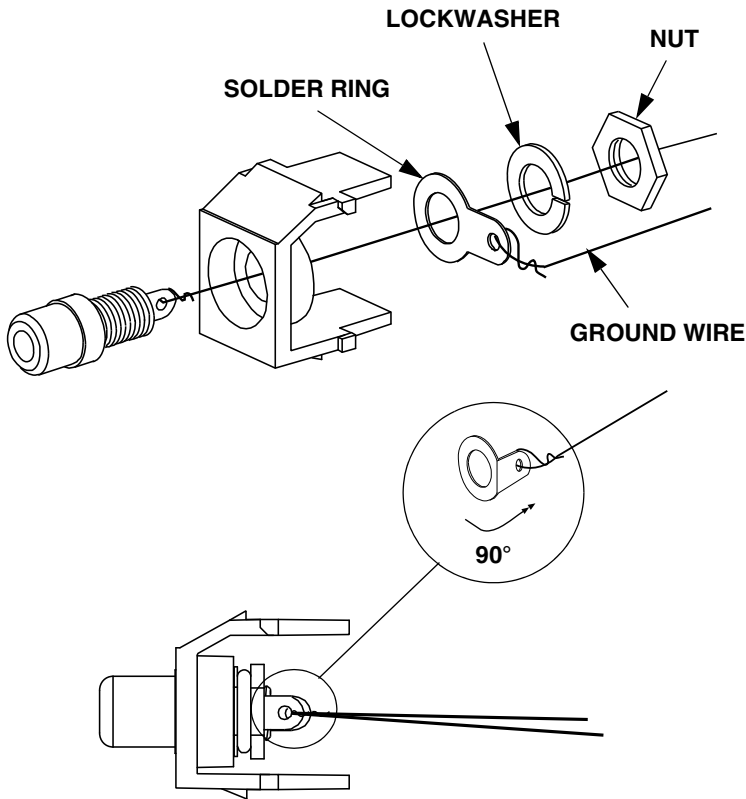


RCA Modules

(NKRSMB**Y, NKRSMR**Y)



STEP ONE

- SLIDE SOLDER RING, LOCKWASHER, AND NUT ONTO SIGNAL WIRE.
- PULL SIGNAL WIRE THROUGH MODULE.
- LOOP WIRE THROUGH HOLE IN RCA AND TWIST.
- SOLDER WIRE TO BACK OF RCA.

STEP TWO

- ASSEMBLE SOLDER RING, LOCKWASHER, AND NUT TO RCA-MODULE SUBASSEMBLY.
- LOOP GROUND WIRE THROUGH SMALL HOLE IN SOLDER RING AND TWIST.
- SOLDER GROUND WIRE TO SOLDER RING.

STEP THREE

- BEND SOLDER RING TAB 90°.

3.5mm (1/8") Stereo Modules

(NK35MSS**)

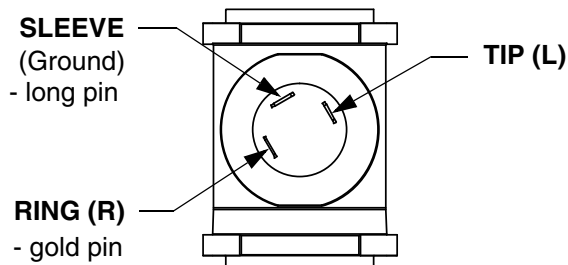
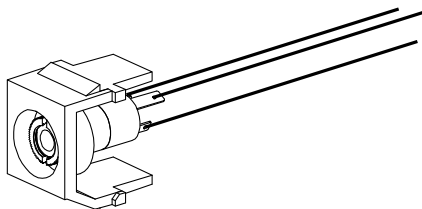


Fig. 1



- REFER TO FIG. 1 FOR WIRE PLACEMENT.
- SOLDER WIRES TO CORRECT TABS ON THE BACK OF CONNECTOR.