

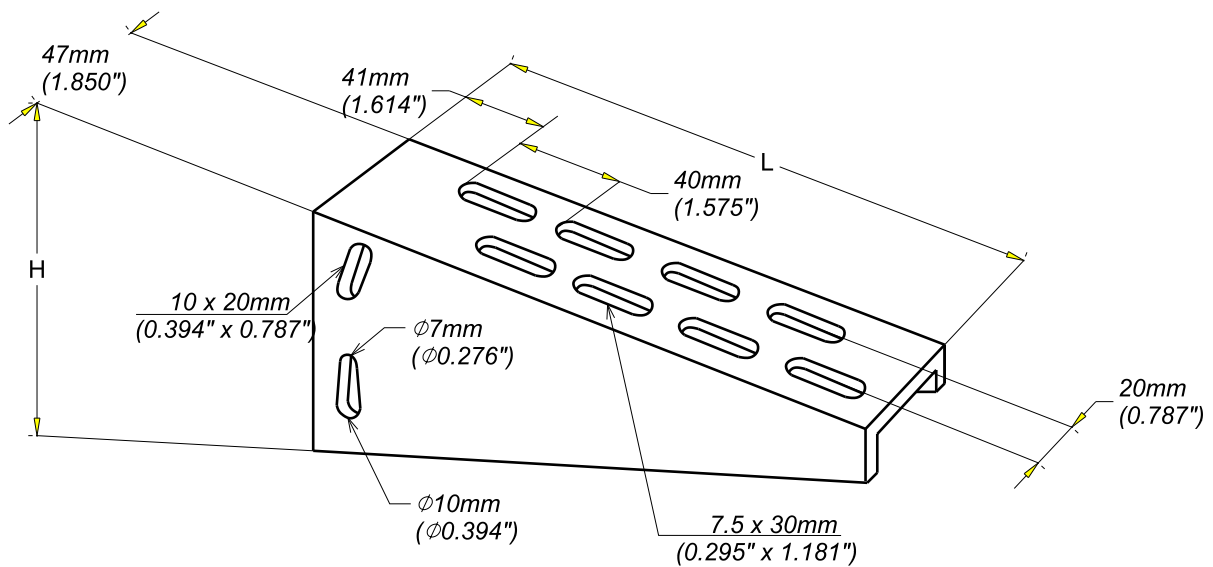
CONSOLE C C BRACKET

GC
HDG

legrand | CABLE
MANAGEMENT

FT0221-3

04 / 16



REF	CODE	POIDS (Kg)	/ WEIGHT (lb)	L (mm)	L (inch)	H (mm)	H (inch)	ep/th	
C 100	557 013	0.230	0.508	140	5.51	83.5	3.29	1.2	0.05"
C 200	557 023	0.300	0.663	220	8.66	83.5	3.29	1.2	0.05"
C 300	557 033	0.570	1.260	340	13.38	84.5	3.33	1.5	0.06"
C 400	557 043	0.900	1.989	460	18.11	84.5	3.33	1.8	0.07"
C 500	557 053	1.180	2.608	555	21.85	96	3.78	1.8	0.07"
C 600	557 063	1.570	3.470	640	25.20	108.5	4.27	1.8	0.07"

NORME / STANDARD	
MATIERE / MATERIAL S 235 JR	EN 10025-2
DC 01 Am	EN 10030
PROTECTION / COATING Galva à chaud /	Class 6 according to CEI 61537