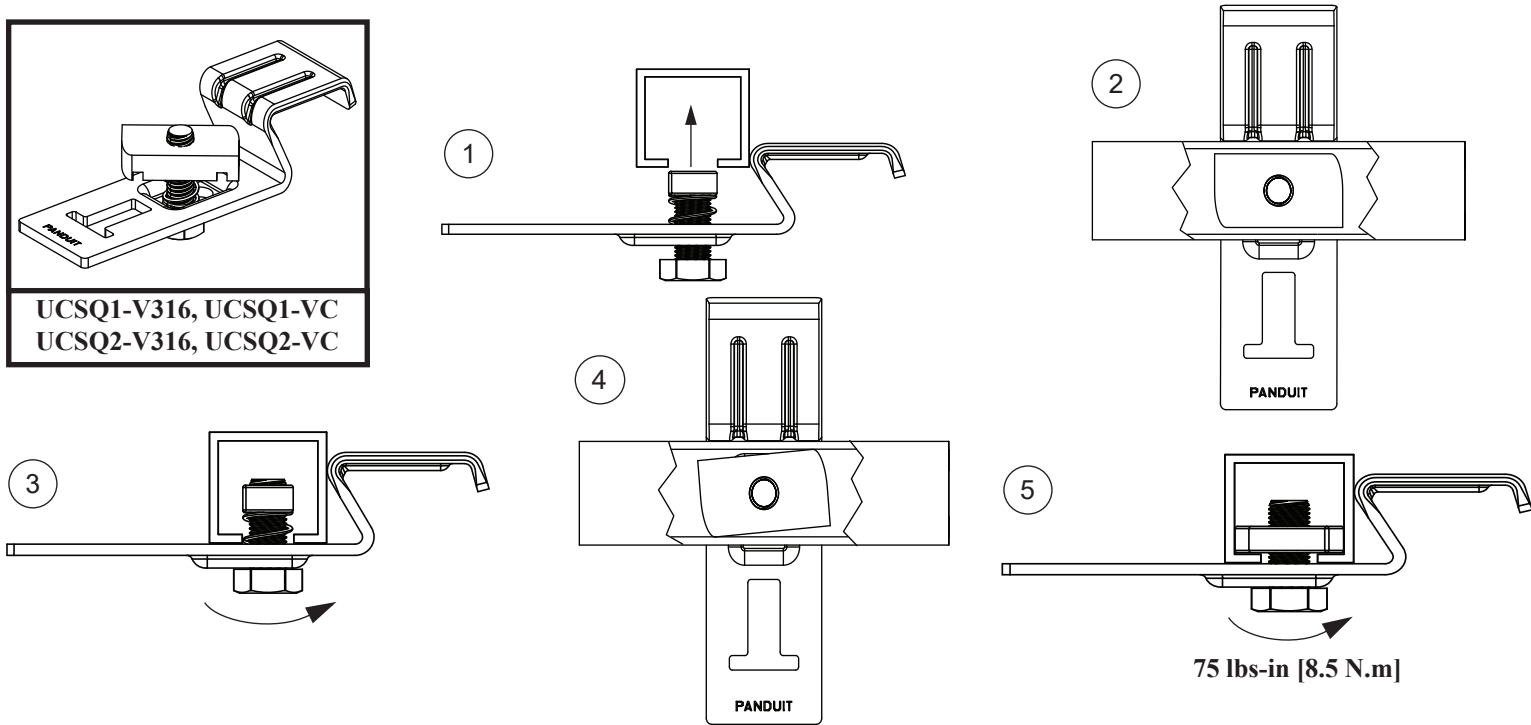
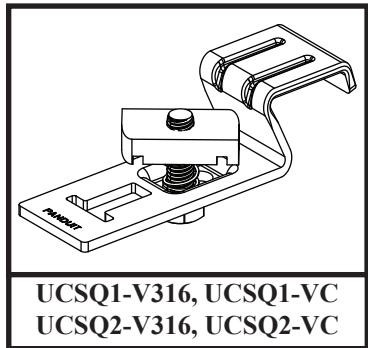
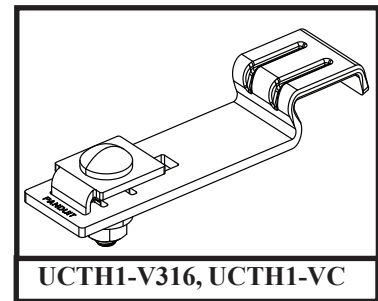


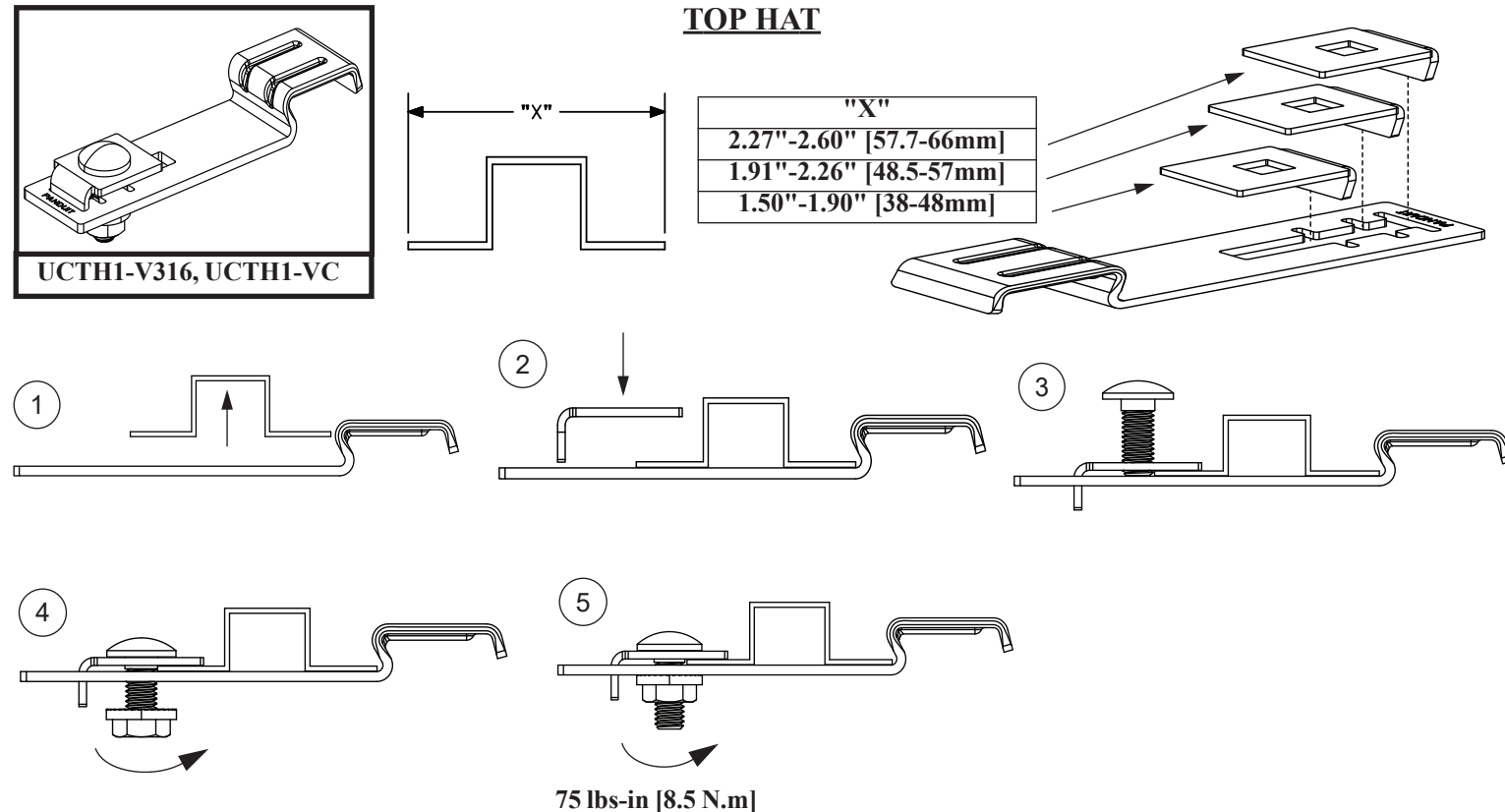
STRUT -TYPE



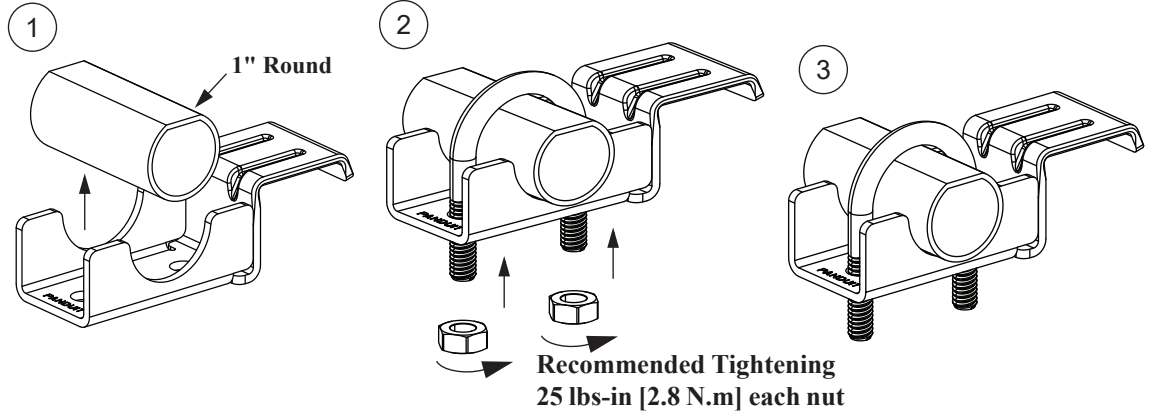
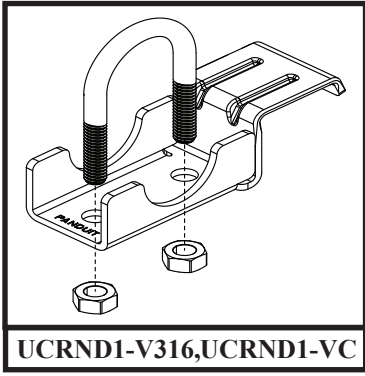
TOP HAT



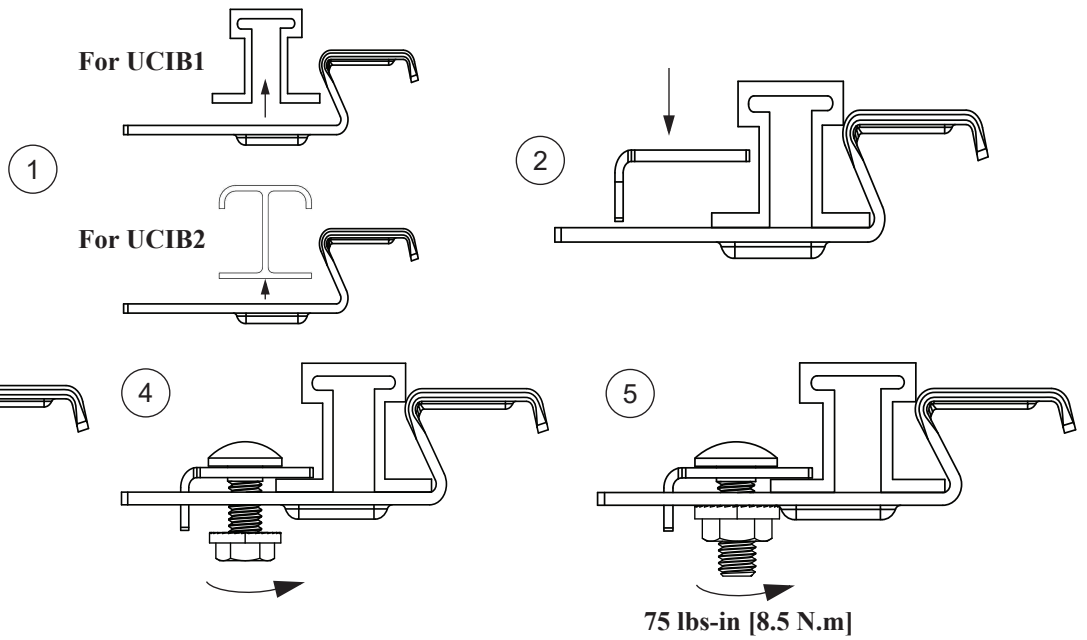
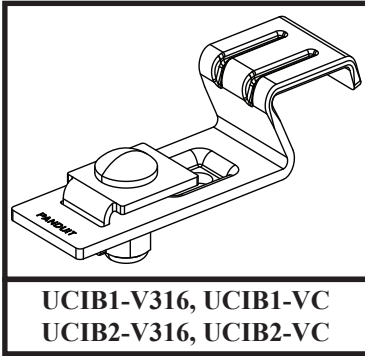
"X"
2.27"-2.60" [57.7-66mm]
1.91"-2.26" [48.5-57mm]
1.50"-1.90" [38-48mm]



ROUND RUNG

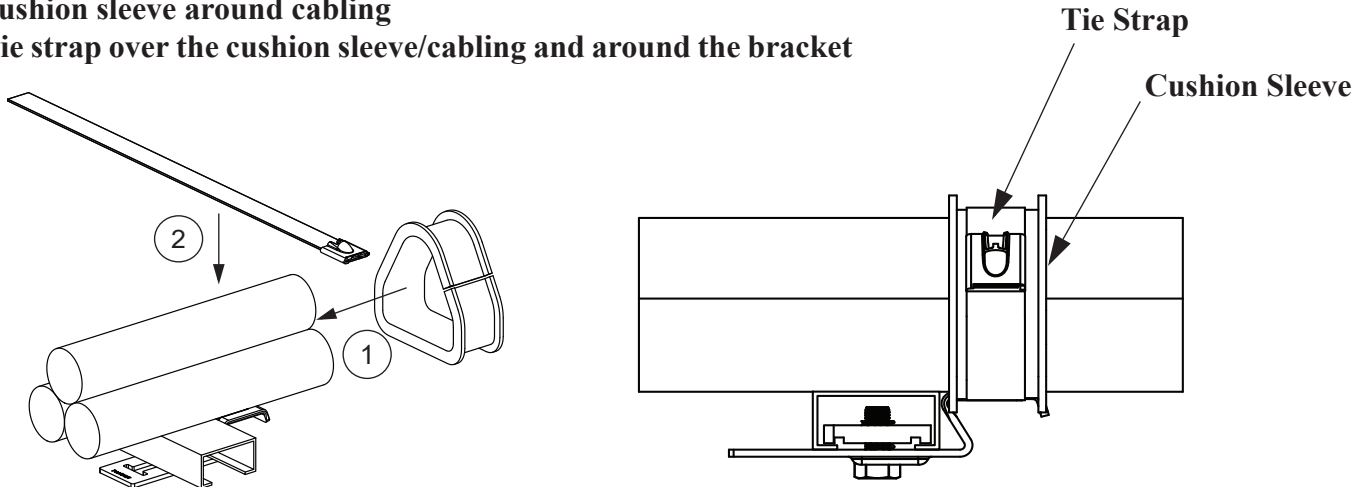


I-BEAM



Typical installation of the cushion sleeve and tie strap:

1. Wrap cushion sleeve around cabling
2. Install tie strap over the cushion sleeve/cabling and around the bracket



For Instructions in Local Languages
and Technical Support:
www.panduit.com/resources/install_maintain.asp

PANDUIT
www.panduit.com

E-mail:
techsupport@panduit.com
Fax:
866-405-6654