

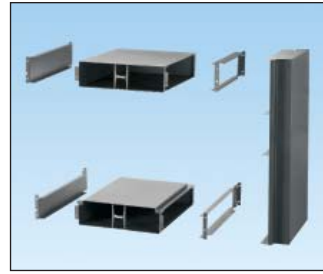
# Thermal Inlet Duct for the Cisco<sup>^</sup> Nexus 7009 Switch For Net-Access<sup>™</sup> Switch Cabinets (CN<sup>\*\*</sup>)

# PANDUIT<sup>®</sup>

SPECIFICATION SHEET

## specifications

The thermal inlet duct shall be designed to be compatible with the Cisco<sup>^</sup> Nexus 7009 switch using Computational Fluid Dynamics (CFD) modeling and verified via operational testing. The inlet duct shall consist of two (3 RU) inlet ducts and a side duct to feed cool air from the cold aisle to the switch's side inlet and prevent hot exhaust recirculation. The modular duct shall be capable of being installed in a retro-fit application without disrupting existing in-cabinet equipment and cabling.



## technical information

**Dimensions:** 35.07"L x 23.30"W x 4.70"D (891mm x 592mm x 119mm)

## key features and benefits

<b>Passive airflow</b>	No additional moving parts or power required for a more reliable, efficient, economical and environmentally friendly system
<b>Certified performance</b>	Designed and validated thermal performance by Panduit
<b>Physical separation between inlet and exhaust airflow</b>	Segregates inlet and exhaust airflow preventing hot air recirculation, reducing inlet temperatures up to 17°C (30°F)
<b>Inlet duct design</b>	Ensures the cabinet is containment ready for vertical exhaust ducting (VED) and aisle containment
<b>Maximized space utilization</b>	Allows the switch to be deployed in a 800mm wide Panduit cabinet without sacrificing thermal performance
<b>Energy efficiency</b>	Provides cool air to the switch resulting in lower fan speed reducing fan power consumption by up to 250W and improving reliability
<b>Day one or two installation</b>	Eliminates the requirement to replace or disturb existing cabinets, equipment and infrastructure for lower capital expenditures and minimized risk
<b>Easy access</b>	Allows access to the power supplies and fan modules minimizing network downtime
<b>Integral bonding to cabinet</b>	Cabinets and accessories are single-point bonded, providing a safe and reliable network, while reducing installation costs

## applications

Cisco<sup>^</sup> Nexus 7000 series switches are a modular switching system designed to deliver 10 Gigabit Ethernet and beyond. Panduit has developed a comprehensive physical infrastructure solution for the Nexus 7009 switch platform.

When the Cisco<sup>^</sup> Nexus 7009 switch is used as an access layer switch, it could be deployed using a Panduit Pod strategy that employs an End of Row (EoR) or Middle of

Row (MoR) physical topology in the Equipment Distribution Area (EDA) of the data center. If deployed as an aggregation or core switch, it could be located in the Main Distribution Area (MDA) of the data center.

By providing a path for cool air to the switch, data center temperature set points can be raised, resulting in higher energy efficiencies and lower operating costs.

### Inlet Duct for End of Row (EoR) Switching Applications

**Inlet duct:** CNLTD142A3

### Net-Access<sup>™</sup> Switch Cabinets for use in Hot Aisle/Cold Aisle Applications\*

**45 RU, front dual hinge door, rear perforated split doors, (2) side panels, #12-24 rails – mounted numbers up:** CN1NU

**45 RU, front dual hinge door, rear perforated split doors, no side panels, #12-24 rails – mounted numbers up:** CN2NU

### Net-Access<sup>™</sup> Switch Cabinet Accessories

**Vertical Blanking Panel:** CNVBP

### Net-Access<sup>™</sup> Switch Cabinet for use with Vertical Exhaust Ducting

**45 RU, front dual hinge door, rear solid split door, no side panels, vertical blanking panels, #12-24 rails – mounted numbers up:** CN28HBNU

### Vertical Exhaust Ducting

**Height adjustable – from 42" to 70" (1067mm to 1778mm):** CVED32VE

**Height adjustable – from 21" to 45" (533mm to 1143mm):** CVED32VEN

**Height adjustable – from 20" to 38" (508mm to 965mm):** CVED32VES

### Net-Access<sup>™</sup> Switch Cabinets for use in Cold Aisle Containment Applications

**45 RU, front dual hinge door, rear perforated split doors, no side panels, vertical blanking panels, #12-24 rails – mounted numbers up:** CN28BNU

**45 RU, front dual hinge door, rear perforated split doors, (1) side panel – left side, vertical blanking panels, #12-24 rails – mounted numbers up:** CN28BLNU

**45 RU, front dual hinge door, rear perforated split doors, (1) side panel – left side, vertical blanking panels, cage nut rails – mounted numbers up:** CN28BLCNNU

**45 RU, front dual hinge door, rear perforated split doors, no side panels, vertical blanking panels, cage nut rails – mounted numbers up:** CN28BCNNU

**42 RU, front dual hinge door, rear perforated split doors, no side panels, vertical blanking panels, cage nut rails – mounted numbers up:** CN282BCNNU

### Net-Contain<sup>™</sup> Sliding Door Low Profile Cold Aisle Containment System\*\*

#### Integral low profile ceiling structures Net-Access<sup>™</sup> 800mm Cabinets:

**4' (1200mm) aisle width:** CXCAC08F04IRBL

**6' (1800mm) aisle width:** CXCAC08F06IRBL

**End of row dual sliding doors:** NACACT5F08DSBL

\*For additional information on Net-Access<sup>™</sup> Cabinets, refer to brochure SA-RKCB19.  
\*\*No VED required.

White cabinets also available upon request. Please consult Panduit Customer Service for lead times.

<sup>^</sup>Cisco is a registered trademark of Cisco Technology, Inc.

# Thermal Inlet Duct for the Cisco^ Nexus 7009 Switch For Net-Access™ Switch Cabinets (CN\*\*)



Figure 1. Full populated cabinet application

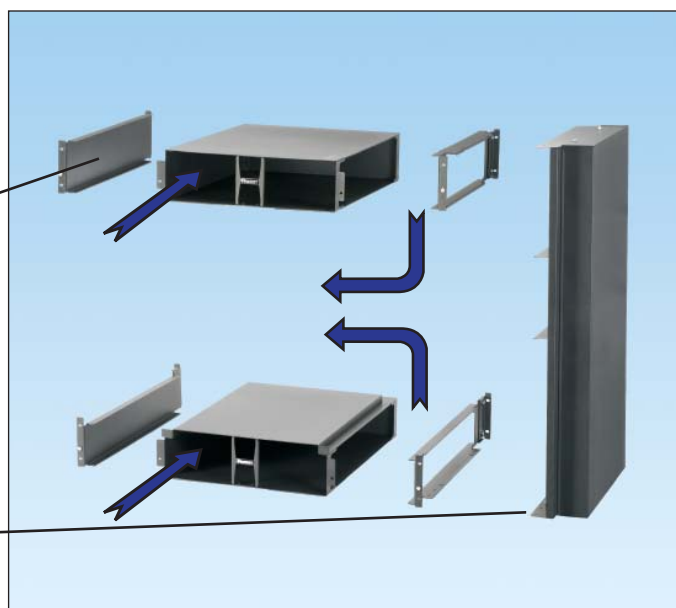
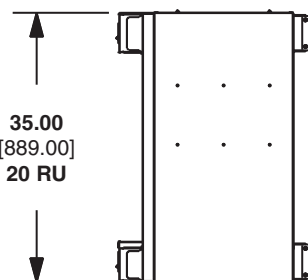
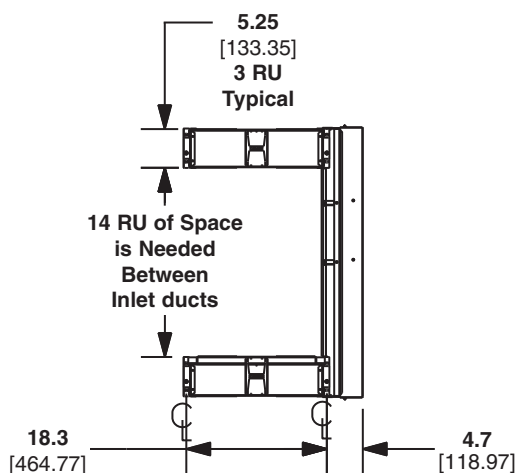
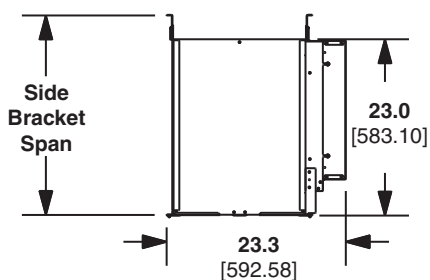


Figure 2. Inlet Duct Exploded View Showing Inlet Airflow Path



Dimensions are in inches. [Dimensions in brackets are metric].

## WORLDWIDE SUBSIDIARIES AND SALES OFFICES

PANDUIT CANADA  
Markham, Ontario  
cs-cdn@panduit.com  
Phone: 800.777.3300

PANDUIT EUROPE LTD.  
London, UK  
cs-emea@panduit.com  
Phone: 44.20.8601.7200

PANDUIT SINGAPORE PTE. LTD.  
Republic of Singapore  
cs-ap@panduit.com  
Phone: 65.6305.7575

PANDUIT JAPAN  
Tokyo, Japan  
cs-japan@panduit.com  
Phone: 81.3.6863.6000

PANDUIT LATIN AMERICA  
Guadalajara, Mexico  
cs-la@panduit.com  
Phone: 52.33.3777.6000

PANDUIT AUSTRALIA PTY. LTD.  
Victoria, Australia  
cs-aus@panduit.com  
Phone: 61.3.9794.9020

For a copy of Panduit product warranties, log on to [www.panduit.com/warranty](http://www.panduit.com/warranty)

For more information

Visit us at [www.panduit.com](http://www.panduit.com)

Contact Customer Service by email: [cs@panduit.com](mailto:cs@panduit.com)  
or by phone: 800.777.3300 and reference RKSP91

**PANDUIT**®

©2012 Panduit Corp.  
ALL RIGHTS RESERVED.  
RKSP91--WW-ENG  
Replaces WW-RKSP74  
9/2012