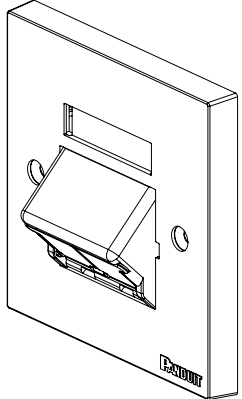
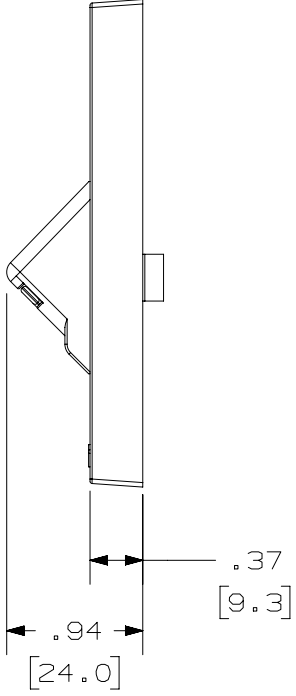
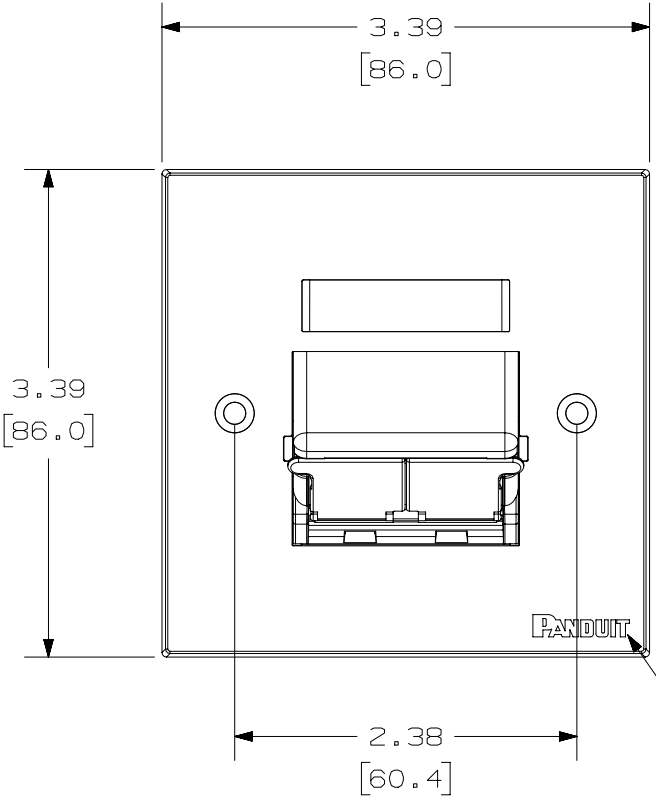


THIS COPY IS PROVIDED ON A RESTRICTED BASIS AND IS NOT TO BE USED IN ANY WAY DETRIMENTAL TO THE INTERESTS OF PANDUIT CORP.

PANDUIT P/N	WEIGHT
CFPUKS2S**Y	.67 LB/10 PCS (303.9 g/10 PCS.)

- NOTES:
- SEE CURRENT CATALOG FOR ADDITIONAL PART NUMBER SUFFIXES TO INDICATE COLOR AND OR PACKAGE QUANTITY.
 - KIT INCLUDES:
 - 1- CBUK**Y BEZEL
 - 1- CHS2S** SHUTTERED INSERT
 - 1- SCREW KIT (CONTAINING (2) SCREWS)
 - 1- LABEL
 - 1- LABEL COVER
 - DIMENSIONS IN [] ARE METRIC.



PART NUMBER		CFPUKS2S**Y	
TITLE			
MINI-COM 2 POSITION SLOPED SHUTTERED U.K. 86mm X 86mm SINGLE GANG FACEPLATE KIT			
CUSTOMER DRAWING			
ITEM REVISION NAME		M02479GB/05	
DATASET FILE NAME		M02479GB_DC160/00C	
UNLESS OTHERWISE SPECIFIED, DIMENSIONAL TOLERANCES ARE: IN [mm]		MATERIAL:	
.x ± .xxx ± .010 [.3]		ABS	
.xx ± .03 [.8]		DRAWING NUMBER:	
THIRD ANGLE PROJECTION		02479-160	
DRAWN BY	DATE	CHK	SCALE
JSP	4-25-06	MJD	NONE
SHT 1 OF 1			SIZE
			A

REV	DATE	BY	CHK	APR	DESCRIPTION	ECN
2	5-13-15	BJN	JCO	MMR	B. ADDED PANDUIT LOGO	02479-160
1	4/22/14	JSP	REFR	MMR	A. REVISED DRAWING TITLE BLOCK.	02479-180
R	4-25-06	JSP	MJD	MJD	RELEASED TO PRODUCTION	02479-160

D10100DA/14