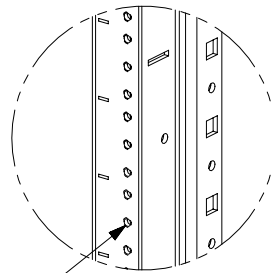
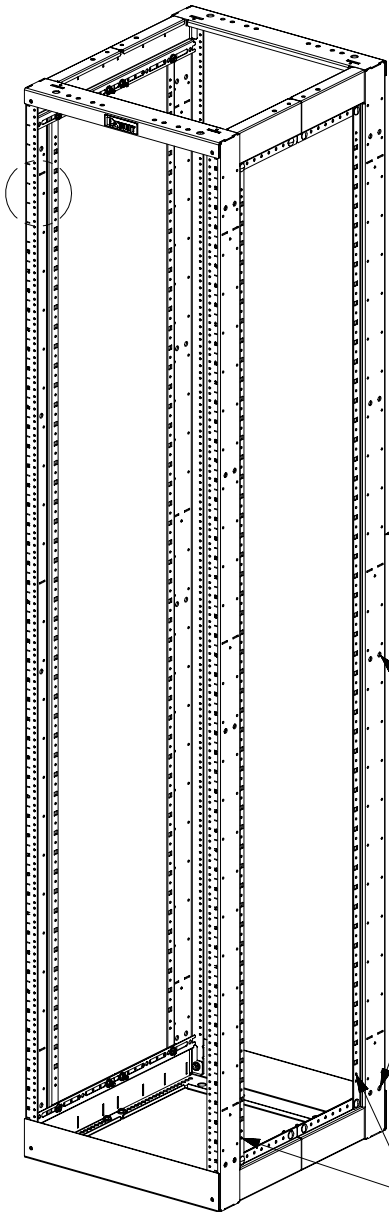


THIS COPY IS PROVIDED ON A RESTRICTED BASIS AND IS NOT TO BE USED IN ANY WAY DETRIMENTAL TO THE INTERESTS OF PANDUIT CORP.



VERTICAL CHANNELS HAVE #12-24 TAPPED HOLES

52RU STEEL 4 POST RACK
DEPTH ADJUSTABLE
FROM 23" TO 42"
(23" DEPTH SHOWN)

MOUNT HOLES FOR
VERTICAL CABLE MANAGERS

MASKED AREA FOR
GROUNDING AT ALL
4 CORNERS

PANDUIT PART NO.	WEIGHT
AR4P96	88 LBS
AR4P96WH	39.9 Kg

NOTES:

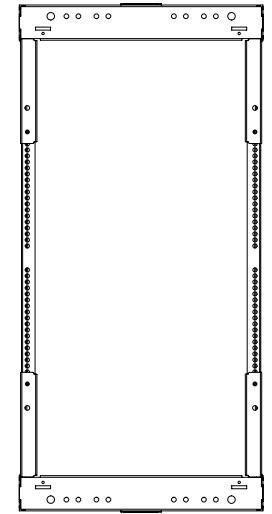
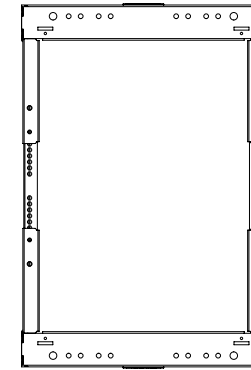
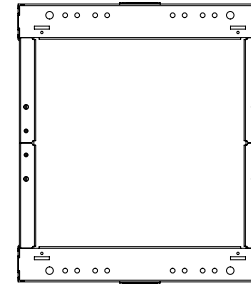
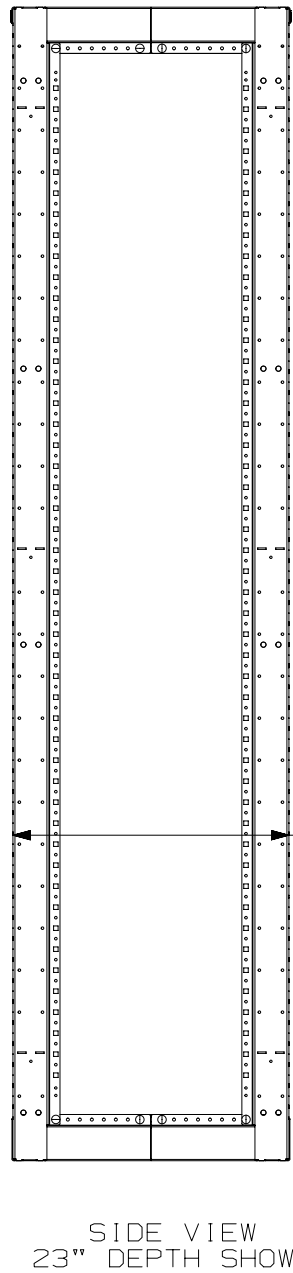
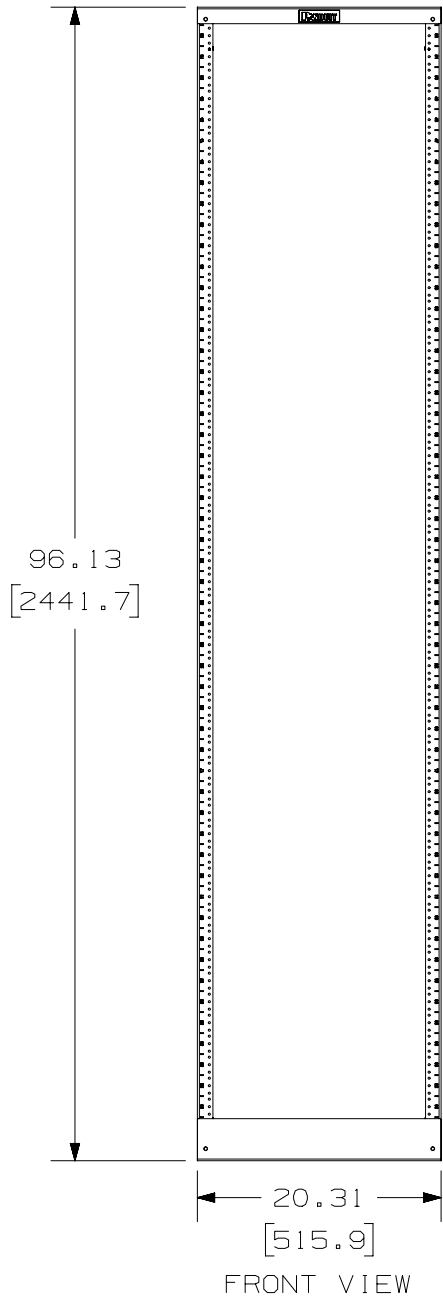
- VISIT OUR ON-LINE CATALOG AT WWW.PANDUIT.COM FOR A LIST OF CURRENT PARTS APPLICABLE FOR USE WITH THIS PRODUCT.
- DIMENSIONS IN PARENTHESIS ARE METRIC.
- RACK DEPTH IS ADJUSTABLE FROM 23" TO 42" AT 1/2" INCREMENTS.
- CAN BE USED WITH ANY EIA STANDARD COMPONENT IN ADDITION TO ALL PANDUIT HORIZONTAL CABLE MANAGEMENT AND PATCH PANEL PRODUCTS.
- 52 AVAILABLE RACK SPACES.
- EIA UNIVERSAL STANDARD HOLE PROGRESSION ON FRONT AND REAR CHANNELS.
.625", .625", .500", .625", .625", .500"...ETC.
- ALL RACKS WILL HAVE NUMBERS UP ORIENTATION (RU "01" ON BOTTOM, RU "52" ON TOP).
- RU SPACING NUMBERS ARE CLEARLY PRINTED ON MOUNTING RAILS.
- ALL ASSEMBLY HARDWARE INCLUDED:
(2) 96" TALL WELDED RACK FRAME WITH #12-24 TAPPED MOUNT HOLES
(4) ADJUSTABLE DEPTH MOUNT BRACKETS
(1) HARDWARE KIT
- EASY ASSEMBLY, ONE WRENCH NEEDED TO INSTALL CARRIAGE BOLTS INTO IN ALL 8 CORNERS.
- FULLY BONDED STRUCTURE WHEN ASSEMBLED PER INSTRUCTIONS.
- LOAD RATING - 2000 LBS.

PART NUMBER		AR4P96 / AR4P96WH	
TITLE		STEEL CONTAINMENT RACK, 52RU TAPPED RAILS, ADJUSTABLE DEPTH FROM 23" TO 42"	
ITEM REVISION NAME		CUSTOMER DRAWING	
DATASET FILE NAME		00448EAC-DC/01A	
MATERIAL		STEEL	
DRAWN BY		TWW	
DATE		10-21-19	
CHK		RYB	
SCALE		NONE	
DRAWING NUMBER		00448EAC-DC	
SHEET		SHEET 1 OF 3	
SIZE		A	

A-SIZE CUSTOMER

REV	DATE	BY	CHK	APR	DESCRIPTION	ECN
01A	7-10-20	TWW	RYB	JEFK	RELEASED TO PRODUCTION	M09000ME

THIS COPY IS PROVIDED ON A RESTRICTED BASIS AND IS NOT TO BE USED IN ANY WAY DETRIMENTAL TO THE INTERESTS OF PANDUIT CORP.



PART NUMBER		AR4P96 / AR4P96WH		
TITLE				
STEEL CONTAINMENT RACK, 52RU TAPPED RAILS, ADJUSTABLE DEPTH FROM 23" TO 42"				
CUSTOMER DRAWING				
ITEM REVISION NAME		00448EAC/01		
DATASET FILE NAME		00448EAC_DC/01A		
MATERIAL		STEEL		
DRAWN BY		DATE	CHK	SCALE
TWW		1-22-20	RYB	NONE
DRAWING NUMBER		00448EAC-DC		
REV		DATE	BY	CHK
01A		7-10-20	TWV	RYB
DESCRIPTION		SEE SHEET ONE FOR REVISIONS		
ECN		M09000ME		
SHEET 2 OF 3		SIZE A		

A-SIZE CUSTOMER

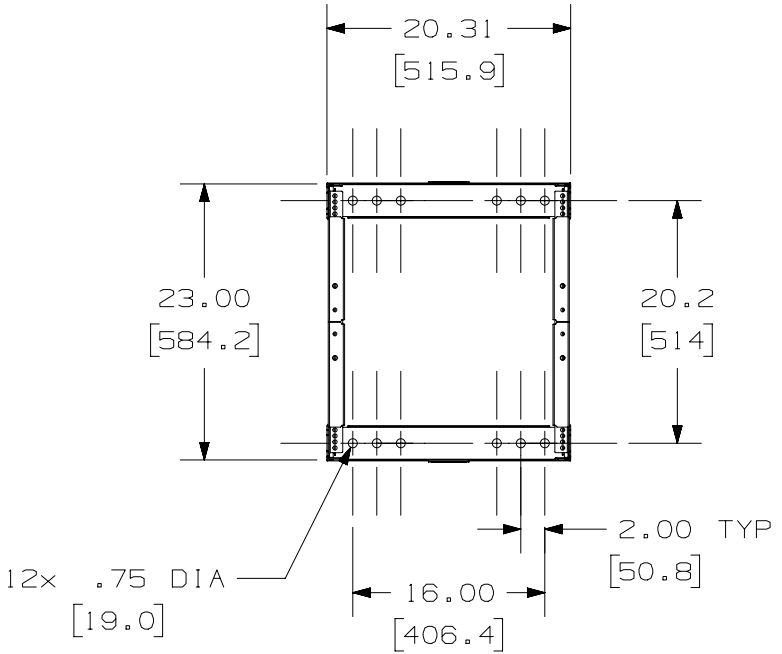
2

1

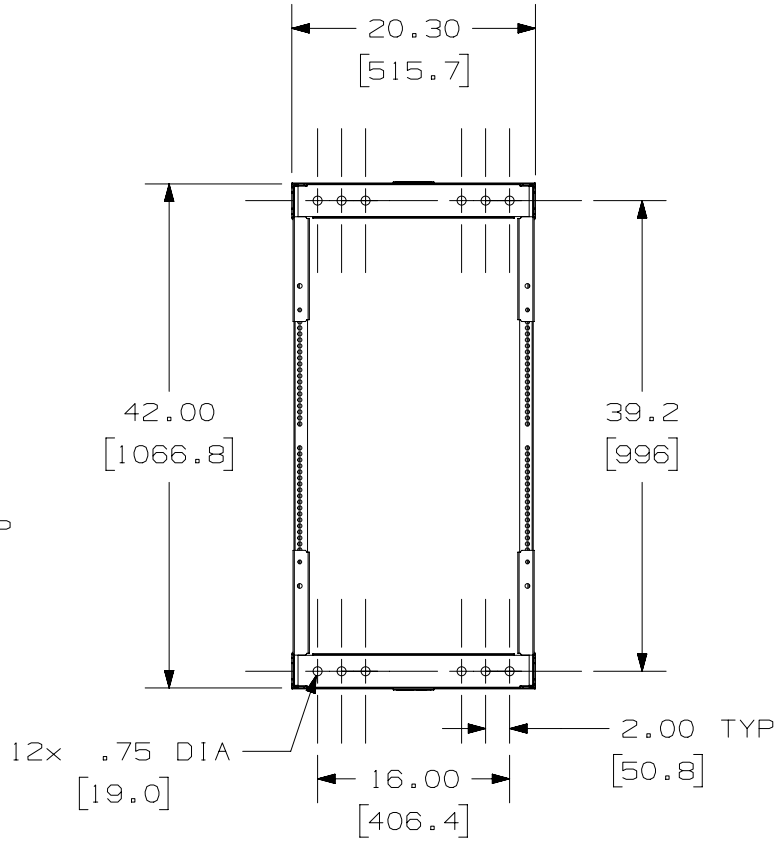
2

1

THIS COPY IS PROVIDED ON A RESTRICTED BASIS AND IS NOT TO BE USED IN ANY WAY DETRIMENTAL TO THE INTERESTS OF PANDUIT CORP.



FLOOR FOOTPRINT AT 23" MINIMUM DEPTH



FLOOR FOOTPRINT AT 42" MAXIMUM DEPTH

PART NUMBER		AR4P96 / AR4P96WH		
TITLE		STEEL CONTAINMENT RACK, 52RU TAPPED RAILS, ADJUSTABLE DEPTH FROM 23" TO 42"		
ITEM REVISION NAME		CUSTOMER DRAWING		
DATASET FILE NAME		00448EAC/01		
MATERIAL		STEEL		
DRAWING NUMBER		00448EAC-DC		
DRAWN BY		DATE	CHK	SCALE
TWW		1-22-20	RYB	NONE
DESCRIPTION		SHEET 3 OF 3		
ECN		A		

01A	7-10-20	TWV	RYB	JEFK	SEE SHEET ONE FOR REVISIONS	M09000ME
REV	DATE	BY	CHK	APR	DESCRIPTION	ECN

2

1

2

1

B

B

A

A

A-SIZE CUSTOMER