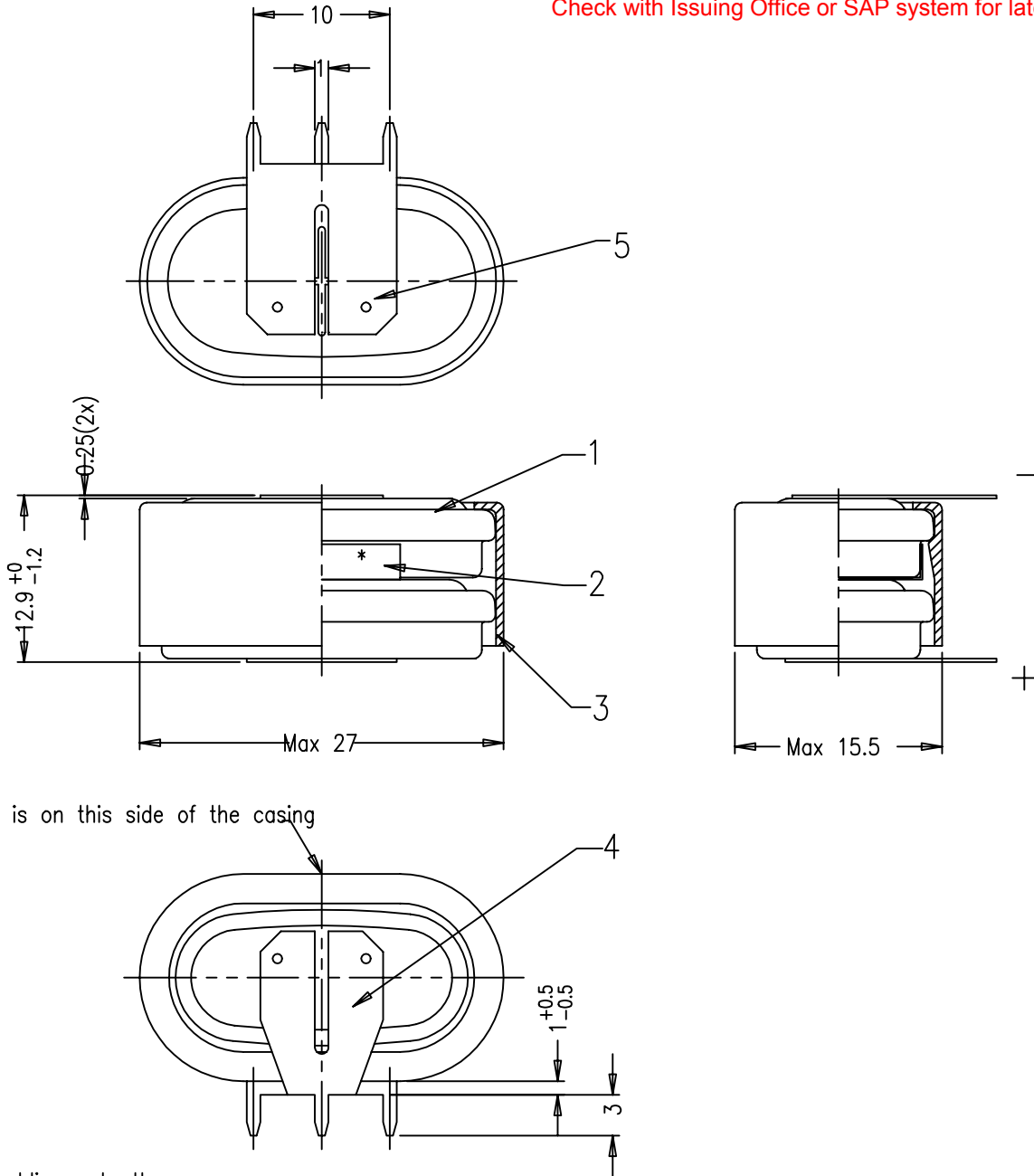


This is a controlled document.

Hardcopy to be endorsed by authorized person.

Check with Issuing Office or SAP system for latest update.



Printing is on this side of the casing

- Note: 1) No welding onto the groove  
 2) For typical PCB-application we recommend to use VARTA-Mempac batteries

Approximate weight of battery : 12.4g

No.	Alterations:	Date:	Name:	Dimensions in mm	Material:
				Tolerance: DIN 7168 Medium	Refer to part list no: 070926
				Projection:	Description:  2/V150H battery with snap-on plastic casing & solder tags
				Scale: 2 : 1	
				Date: Name:	
				Prepared: 1997-09-23 A.P.ANG	
				Approved: 2000-	
RIGHTS RESERVED TO MAKE TECHNICAL CHANGES, AS A RESULT OF FURTHER DEVELOPMENT, WITHOUT NOTICE . THIS DRAWING IS THE PROPERTY OF VARTA BATTERIES PTE LTD AND MUST NOT BE COPIED OR DISCLOSED TO A THIRD PARTY WITHOUT THE WRITTEN CONSENT OF VARTA BATTERIES PTE LTD.					Dwg. No: 070926 400
					VKB Order No: 55615 602 059
					Orig No:
Distribution: 0, 1, 1.1, 2, 2.1, 2.2, 3, 3.1, 3.1.1, 3.2, 3.3, 3.4, 4 .					