

Product designation	Rotary cam switches		
Product type designation	GF20		
<b>General characteristics</b>			
Switching diagram	06 - ON/OFF switch 2 poles		
N° of elements	1		
Mounting form	U25 - Front mounting with red/yellow handle padlockable in 0 and protection covers		
<b>Contact characteristics</b>			
Rated insulation voltage $U_i$	IEC/EN	V	480
	UL/CSA	V	240
Rated impulse withstand voltage $U_{imp}$		kV	4
Conventional free air thermal current $I_{th}$	IEC/EN	A	20
	UL/CSA	A	15
Rated operational voltage		V	480
Rated operational impulse voltage		kV	4
Maximum fuse size for short-circuit protection $I_n$ (gG)	10kA	A	20
	15kA	A	20
	25kA	A	20
Rated short time current $I_{cw}$	1s	A	250
			10/5 mA/V
Conductivity			10/5 mA/V
Operational current $I_e$ IEC/EN	AC1/AC21A		
		A	20
AC15	110V	A	10
	220/230V	A	8
	380/400V	A	6
Rated operational power in AC	Three-phase AC-3		
	220/230V	kW	3
	380/440V	kW	5
	Single-phase AC-3		
	110V	kW	0.5
	220/230V	kW	1.5
Three-phase AC23A	380/440V	kW	2
	220/230V	kW	4
	380/440V	kW	7.5
Single-phase AC23A	110V	kW	0.75
	220/230V	kW	2
	380/440V	kW	2.5
Rated operational current in DC			

DC21A

48V	A	20
60V	A	20
110V	A	4
220V	A	0.7
440V	A	0.2

DC13

24V	A	6
48V	A	6
60V	A	3
110V	A	1
220V	A	0.4
440V	A	0.15

Power dissipation

W 0.8

**Mechanical features**

Terminals screw

M3

Tightening torque for terminals max

Nm 0.5

Conductor size

AWG - Rigid cable

min	AWG	20
Max	AWG	12

AWG - Flexible cable

min	AWG	20
Max	AWG	12

Conductor size (IEC) - Flexible cable

min	mm <sup>2</sup>	0.5
Max	mm <sup>2</sup>	2.5

Conductor size (IEC) - Rigid cable

min	mm <sup>2</sup>	0.5
Max	mm <sup>2</sup>	2.5

Mechanical life

cycles 1x10<sup>6</sup>

**UL technical data**

Motor power for direct-on-line control

for three-phase motor

240V HP 3

for single-phase motor

240V HP 1

**Ambient conditions**

Temperature

Operating temperature

min	°C	-25
max	°C	+55

Storage temperature

min	°C	-40
max	°C	+70

**Resistance & Protection**

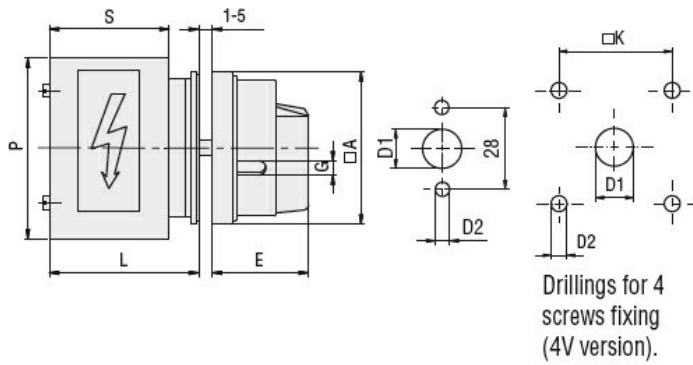
Frontal IP degree

IP40

Terminals IP degree

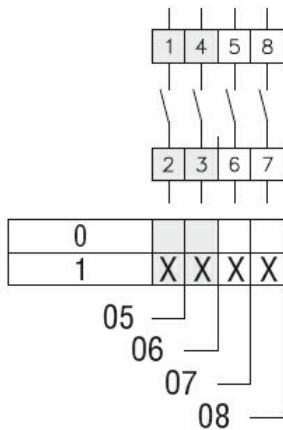
IP20

**Dimensions**



Series	Dimensions						L			
	□A	D1	D2	E	G	□K	1	2	3...12	
<b>GF20</b>	48	12	5	34.2	5	36	44	57.5	71	192.5

### Wiring diagrams



### Certifications and compliance

#### Compliance

CSA C22.2 n° 14  
IEC/EN/BS 60947-1  
IEC/EN/BS 60947-3  
IEC/EN/BS 60947-5-1  
UL60947-4-1

#### Certificates

cULus  
EAC

### ETIM classification

ETIM 8.0

EC001029 -  
Selector switch,  
complete