

Part number

# MXA 01 V32



Hood, MIXO ONE series, with 2 pegs, M32 top cable entry, 1 module, with PE connection terminal and contact

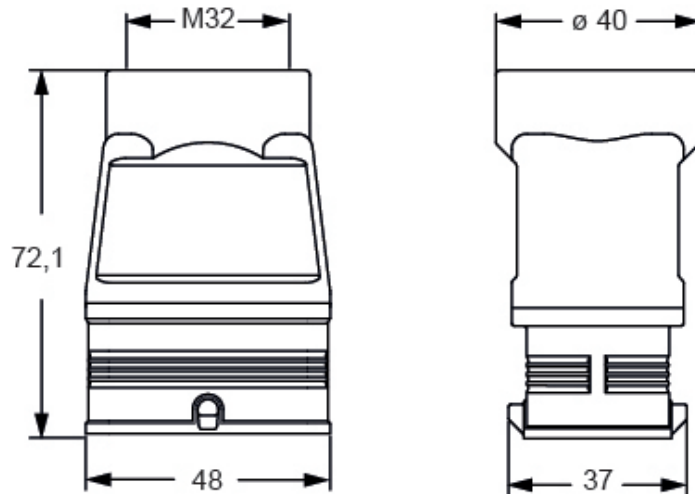
Product description		Material properties	
<b>Product type</b>	Hood	<b>Main material</b>	Aluminium die-cast
<b>Series</b>	MIXO ONE	<b>Other materials</b>	Lever: stainless steel Gasket: NBR
<b>Closing type</b>	With 2 pegs	<b>RoHs conformity</b>	Compliant
<b>Size</b>	1 module	<b>China RoHs - EFUP</b>	E
<b>Cable entry</b>	Top cable entry M32	<b>REACH SVHC substances</b>	No
<b>Specification</b>	With PE connection terminal and contact	<b>Approvals / Standards</b>	
Technical data		<b>Certifications</b>	DNV
<b>IP degree of protection</b>	IP65	<b>UL</b>	ECBT2
Further technical details		<b>cUL</b>	ECBT8
<b>Mating cycles</b>	≥ 500	<b>General ordering information</b>	
<b>Weight</b>	86,50 g	<b>EAN13 code</b>	8015747263542
<b>Operating temperature range (min, max)</b>	-40°C...+125°C	<b>eCl@ss 8.1</b>	27440202
<b>Tightening torque for PE connection</b>	1,2 Nm	<b>ETIM 7.0</b>	EC000437
		<b>Packaging Information</b>	
		<b>Packaging length</b>	180,00 mm
		<b>Packaging height</b>	120,00 mm
		<b>Packaging width</b>	155,00 mm
		<b>Packaging weight</b>	1,03 kg
		<b>Packaging volume</b>	3,35 dm <sup>3</sup>
		<b>Packaging description</b>	Carton box
		<b>Packaging quantity</b>	10 Pcs
		<b>Packaging EAN code</b>	8015747269339
		<b>Sub-packaging weight</b>	0,10 kg
		<b>Sub-packaging description</b>	Plastic bag
		<b>Sub-packaging quantity</b>	1 Pcs
		<b>Sub-packaging EAN barcode</b>	8015747269346

Part number

# MXA 01 V32



## Catalogue drawings



## Notes

Dimensions shown in mm are not binding and may be changed without notice.