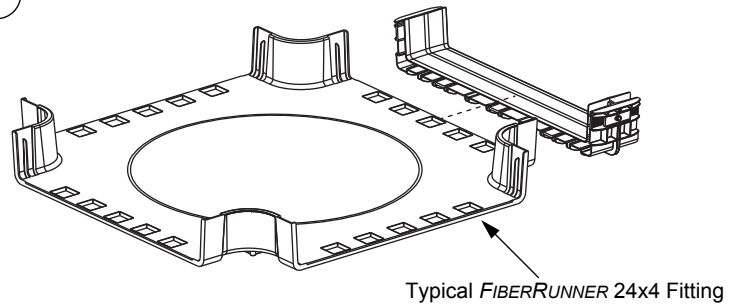
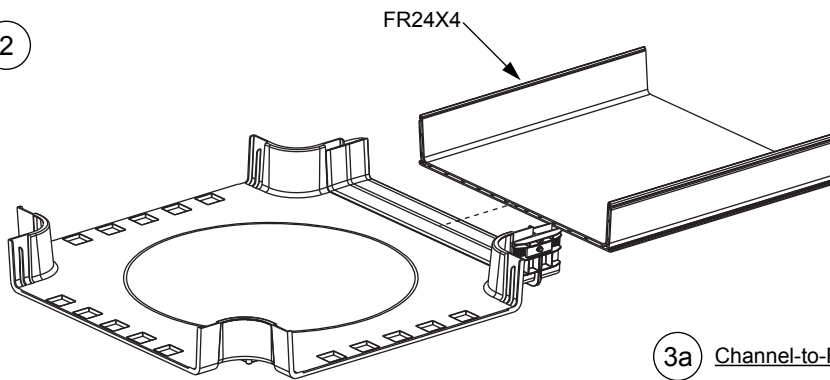


FIBERRUNNER 24x4 QUIKLOCK Coupler

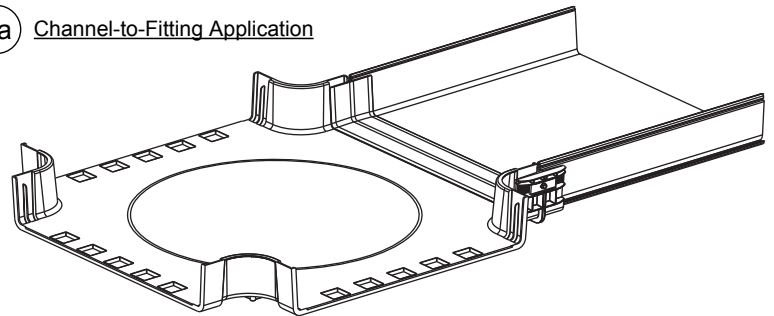
1



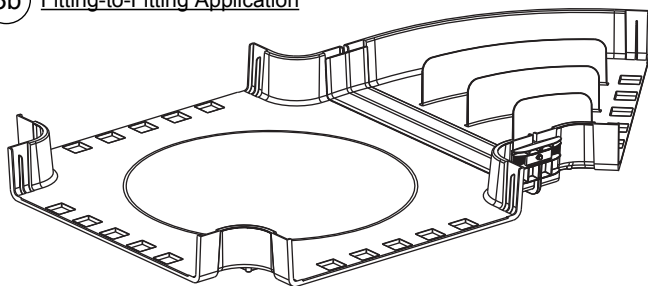
2



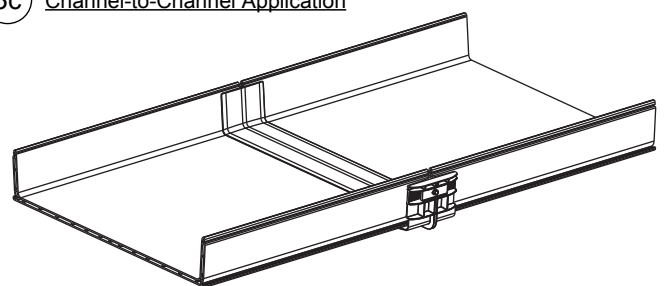
3a Channel-to-Fitting Application



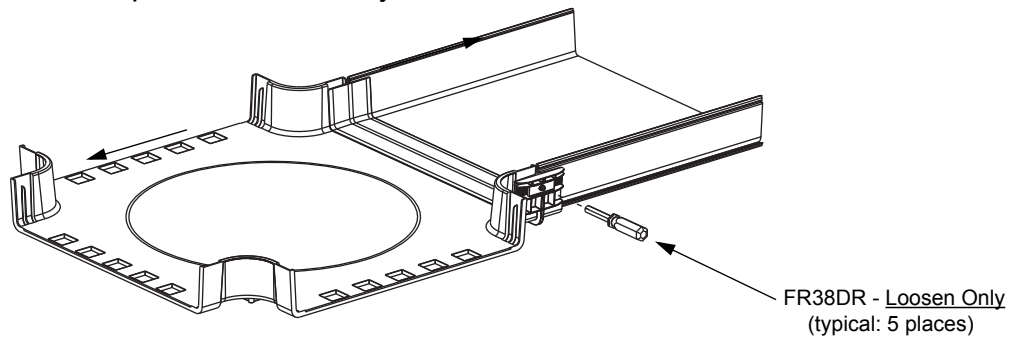
3b Fitting-to-Fitting Application



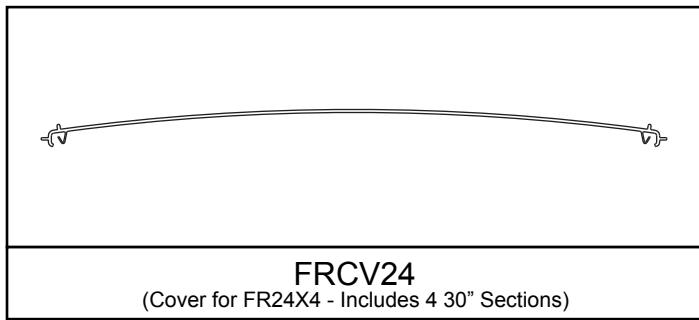
3c Channel-to-Channel Application



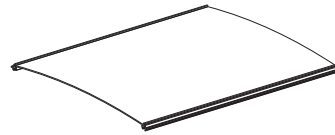
FIBERRUNNER 24x4 QUIKLOCK Coupler - Disassembly



FIBERRUNNER 24x4 Snap-On Cover

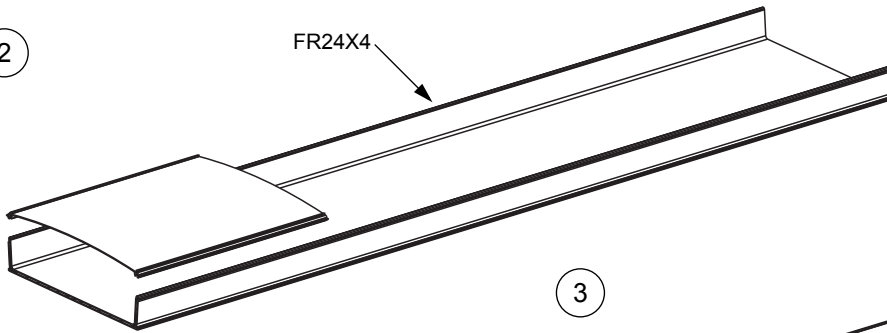


1

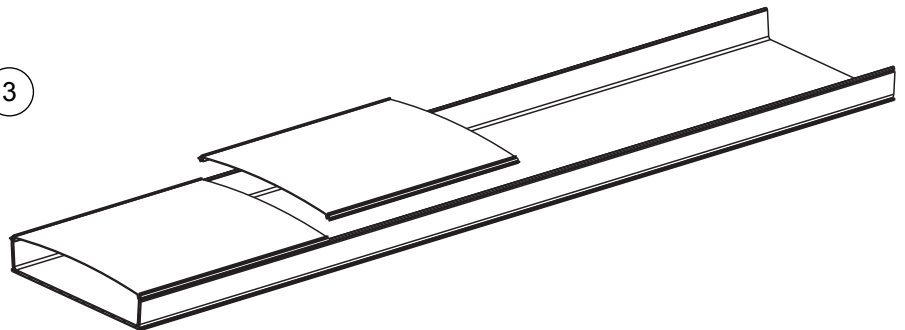


2

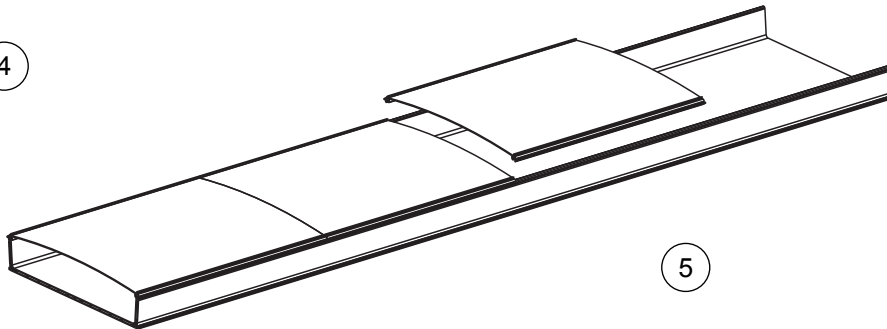
FR24X4



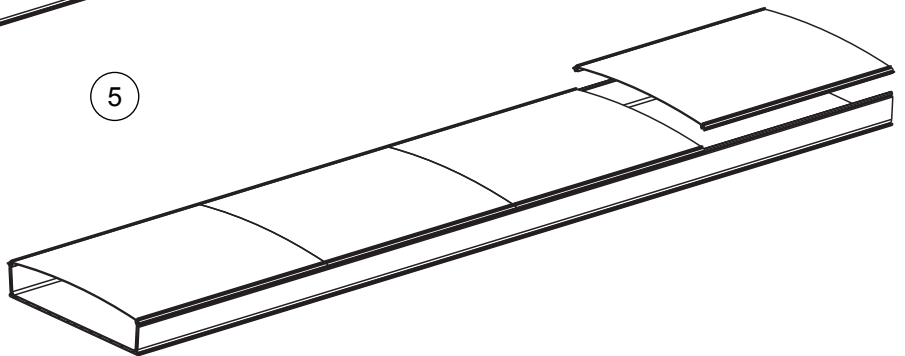
3



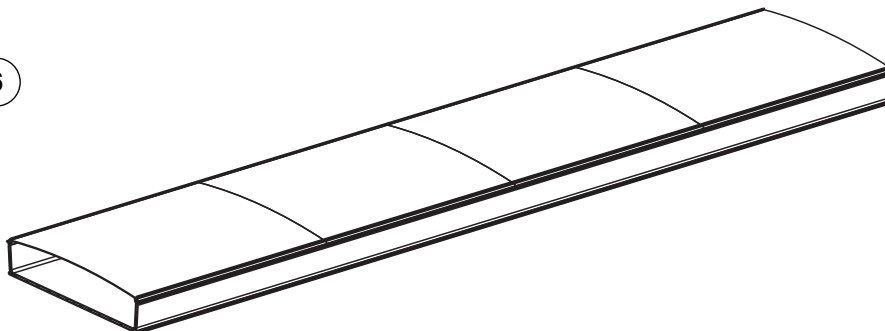
4



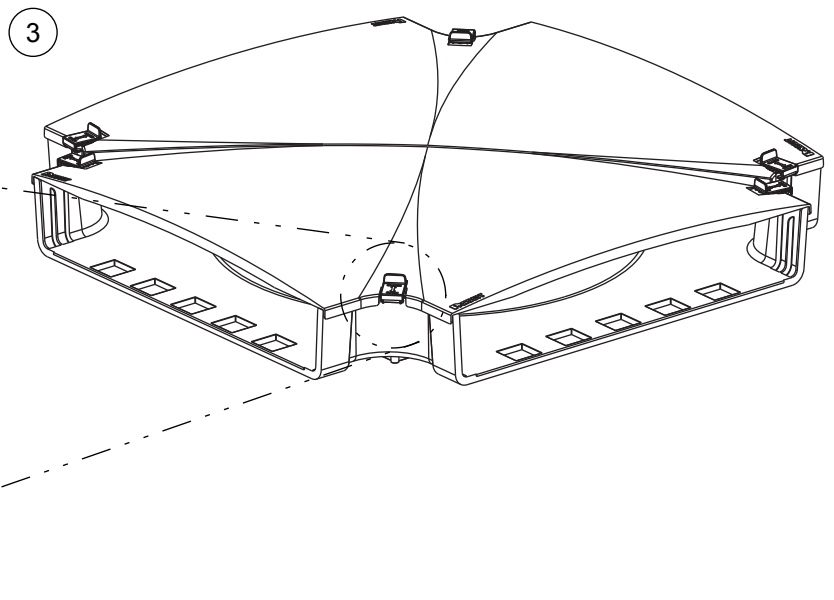
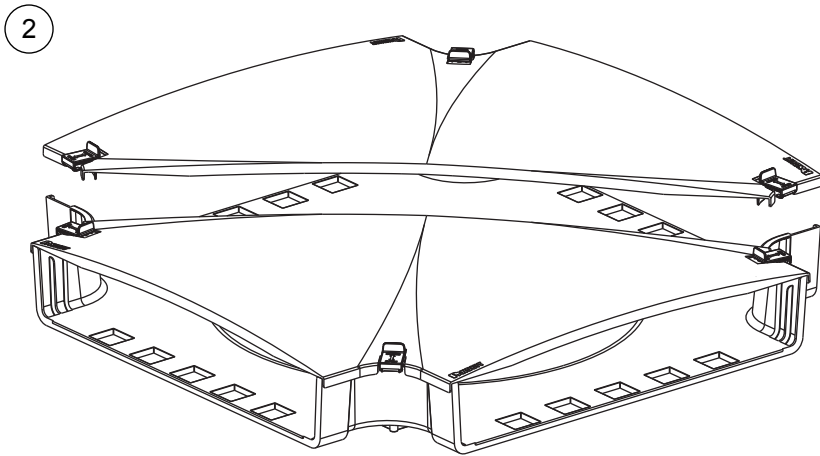
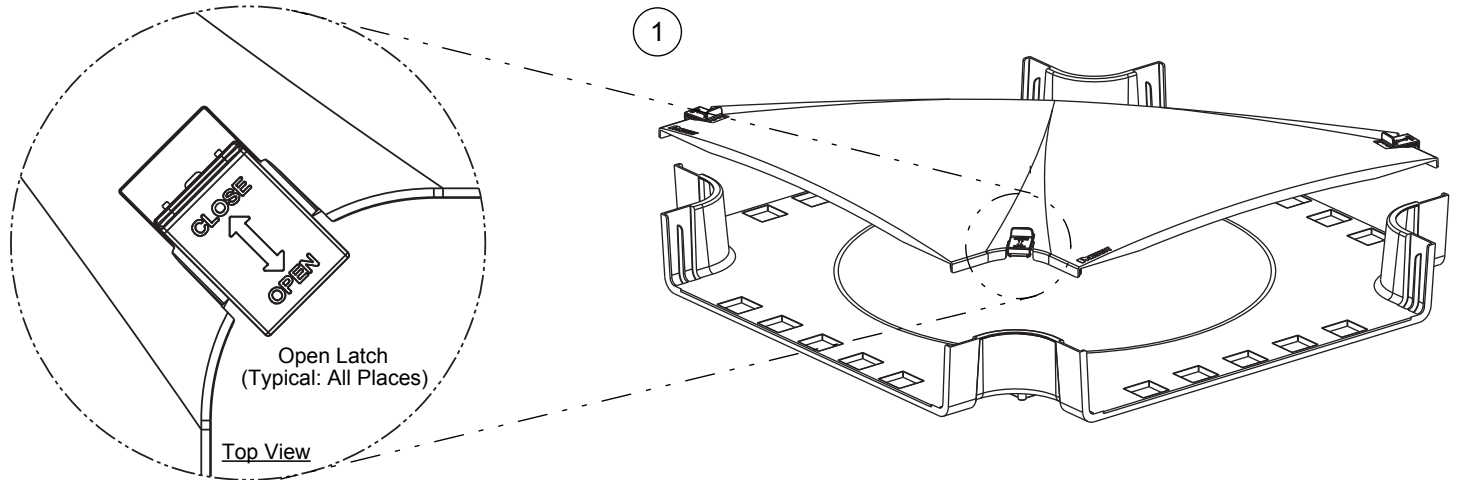
5



6



FIBERRUNNER 24x4 Fitting Covers - Typical Installation



<p>For Instructions in Local Languages and Technical Support: www.panduit.com/resources/install_maintain.asp</p>	<p>PANDUIT www.panduit.com</p>	<p>E-mail: techsupport@panduit.com Phone: 866-405-6654</p>
--	--	---