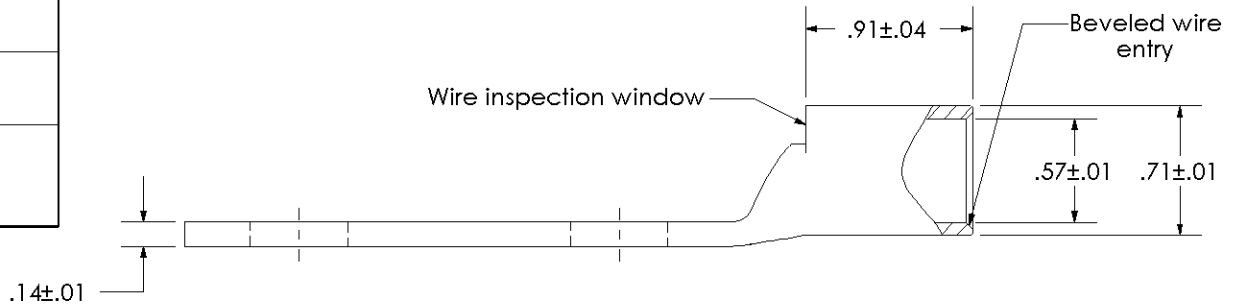
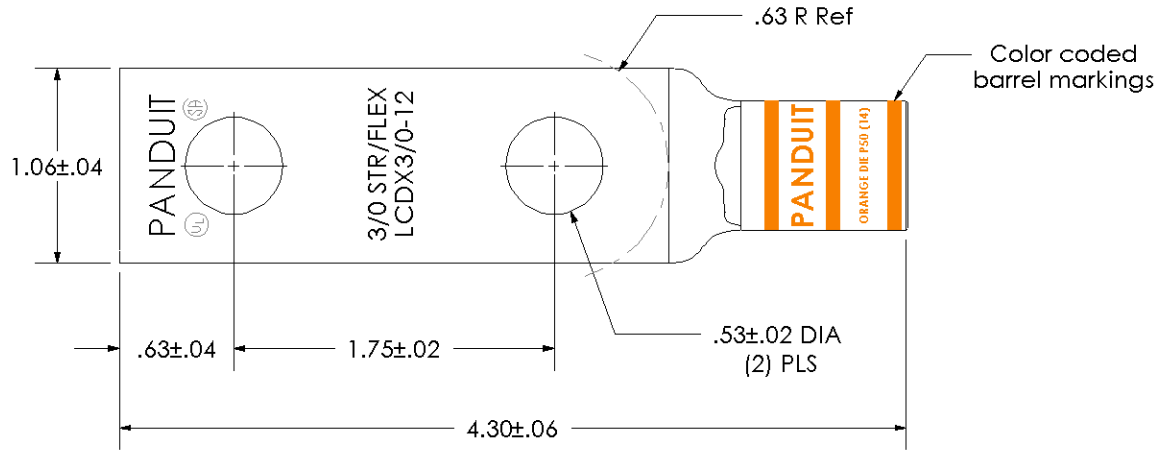


THIS COPY IS PROVIDED ON A RESTRICTED BASIS AND IS NOT TO BE USED IN ANY WAY DETRIMENTAL TO THE INTERESTS OF PANDUIT CORP.

|  |  |
|--|--|
| Material                                       | High Conductivity Seamless Copper Tube   |
| Plating  | Electro-Tin  |
| Wire Size                                      | 3/0 STR/FLEX   |
| Wire Type                                      | Stranded Copper: Class B & C, Compact, Class G, H, I, K, M, Locomotive   |
| Wire Strip Length                              | 1.0 in.  |
| Stud Size                                      | 1/2 in.  |
| UL Listed Wire Connector                       | Yes, for applications up to 35kv. Consult cable manufacturer for voltage stress relief instructions with applications greater than 2000 volts. |
| UL Temperature Rating                          | 90° C  |
| C.S.A Certified Wire Connector                 | Yes  |
| Panduit Color Code on Barrel                   | ORANGE   |
| Panduit Die Index No. on Barrel                | P50  |
| Alternate Industry Die Index No. ( ) on Barrel | (14)   |



|     |      |     |     |             |       |
|-----|------|-----|-----|-------------|-------|
| 00  | 6/03 | SAC | SAC | RELEASED    | 10850 |
| REV | DATE | BY  | CHK | DESCRIPTION | ECN   |

**PANDUIT CORP.** TINLEY PARK, ILLINOIS

LCDX3/0-12-X  
Copper Lug - Two-Hole, Standard Flex Barrel

SCALE N/A DRAWING NO / CAD FILE LCDX3\_0-12-CUST